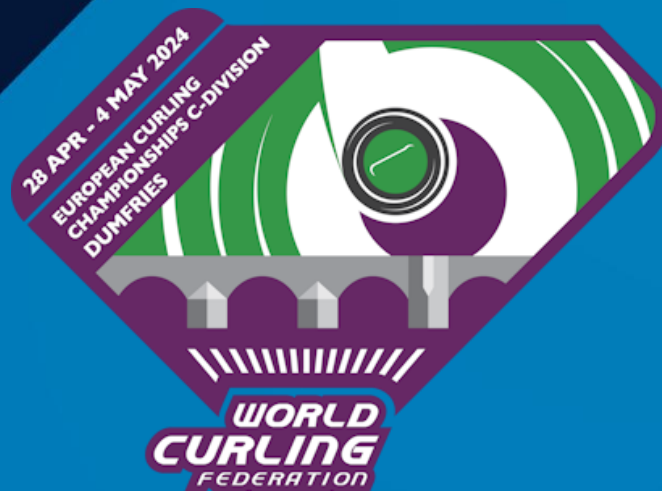




RESULTS SUMMARY



**European Curling
Championships C-Division 2024
Men
Dumfries, Scotland**

28 April - 4 May 2024





ECC-C 2024
Dumfries, Scotland

European Curling Championships C-Division 2024

Dumfries Ice Bowl

Men



SAT 4 MAY 2024

Medallists

Medal	Country	Name	Position - Function
GOLD	BUL - Bulgaria	SEILER Reto	4 S
		MOMERIN Bojidar	3
		TODOROV Tihomir	2
		PETROV Stanimir	1
		RUNTOV Nikolay	A
SILVER	ISR - Israel	POKRAS Alex	4 S
		ABANIN Dmitri	3
		SIDNEY Lawrence	2
		LUTZ Jeffrey Yaakov	1
BRONZE	SLO - Slovenia	ZELINKA Gaber Bor	4 S
		OMERZEL Jakob	3
		LANGUS Simon	2
		ZELINKA Javor Brin	1
		GREGORI Noel	A
		TISLER Tomas	C

Note:

Position and function for each team member:

4 = Fourth, **3** = Third, **2** = Second, **1** = Lead, **A** = Alternate, **S** = Skip, **C** = Coach

Final Standings

Rank	Team	Players	Position - Function
1	BUL - Bulgaria	SEILER Reto	4 S
		MOMERIN Bojidar	3 V
		TODOROV Tihomir	2
		PETROV Stanimir	1
		RUNTOV Nikolay	A
		-	C
2	ISR - Israel	POKRAS Alex	4 S
		ABANIN Dmitri	3
		SIDNEY Lawrence	2
		LUTZ Jeffrey Yaakov	1 V
		-	A
		-	C
3	SLO - Slovenia	ZELINKA Gaber Bor	4 S
		OMERZEL Jakob	3
		LANGUS Simon	2
		ZELINKA Javor Brin	1 V
		GREGORI Noel	A
		TISLER Tomas	C
4	ROU - Romania	COLIBAN Allen	4 S
		MATAU Cristian	3 V
		COLCERIU Bogdan	2
		FELECAN Matei	1
		GHERGIE Dan	A
		TRAILA Iulia	C
5	CRO - Croatia	TOLIC Hrvoje	4
		BAUS Ante	3 S
		JURKOVIC Miroslav	2
		SAMARDZIC Bruno	1 V
		HORVAT Vedran	A
		MIKLOS Nandor	C
6	AND - Andorra	GARCIA Josep	4 S
		MORRAL Enric	3 V
		MIALDEA Cesar	2
		ORTIZ Valentin	1
		-	A
		-	C
7	BIH - Bosnia and Herzegovina	DORIC Mak	4 S
		SAVIC Vladan	3 V
		IGNJIC Slavenko	2
		MARKOVIC Igor	1
		MACAR Bojan	A
		-	C
DNS	GEO - Georgia		

Note:

Position and function for each team member:

4 = Fourth, **3** = Third, **2** = Second, **1** = Lead, **A** = Alternate, **S** = Skip, **V** = Vice-Skip, **C** = Coach

Legend:

DNS Did Not Start

Competition Summary

Session	Date	Time	Sheet A	Sheet B	Sheet C	Sheet D
Session 1	MON 29 APR	14:30	BIH 4-6 SLO	BUL 6-4 ISR	AND 6-8 CRO	ROU W-L GEO
Session 2	TUE 30 APR	10:00	CRO 5-9 ROU	AND W-L GEO	ISR 12-4 BIH	BUL 9-7 SLO
Session 3	TUE 30 APR	19:00	GEO L-W ISR	ROU 1-11 BUL	SLO 11-2 AND	BIH 1-9 CRO
Session 4	WED 1 MAY	14:30	AND 10-5 BIH	CRO 3-4 SLO	BUL W-L GEO	ISR 5-7 ROU
Session 5	THU 2 MAY	10:00	SLO W-L GEO	BIH 5-6 ROU	CRO 3-11 ISR	AND 1-11 BUL
Session 6	THU 2 MAY	19:00	BUL 7-1 CRO	ISR 7-4 AND	ROU 3-8 SLO	GEO L-W BIH
Session 7	FRI 3 MAY	14:30	ROU 8-3 AND	GEO L-W CRO	BIH 5-9 BUL	SLO 6-8 ^{EE} ISR
Semi-finals	SAT 4 MAY	9:00		ROU 5-10 BUL		ISR 7-6 SLO
Finals	SAT 4 MAY	14:30	SLO 6-3 ROU		ISR 4-7 BUL	

Standings after Round Robin

Rank	Team	Games	Wins	Losses				
1	BUL - Bulgaria	7	7	0	Q			
2	ISR - Israel	7	5	2	Q	w1	DSC	58.84cm
3	SLO - Slovenia	7	5	2	Q	w1	DSC	59.82cm
4	ROU - Romania	7	5	2	Q	w1	DSC	67.56cm
5	CRO - Croatia	7	3	4				
6	AND - Andorra	7	2	5				
7	BIH - Bosnia and Herzegovina	7	1	6				
DNS	GEO - Georgia	7	0	7				

Play-offs Bracket

Semi-finals	Finals	Final Standings
<p>1 BUL 10</p> <p>Sheet B</p> <p>4 ROU 5</p> <p>Sheet D</p> <p>2 ISR 7</p> <p>Sheet C</p> <p>3 SLO 6</p>	<p>BUL 7</p> <p>Sheet C</p> <p>ISR 4</p> <p>Sheet A</p> <p>ROU 3</p> <p>SLO 6</p>	<p>1 BUL - Bulgaria</p> <p>2 ISR - Israel</p> <p>3 SLO - Slovenia</p> <p>4 ROU - Romania</p> <p>5 CRO - Croatia</p> <p>6 AND - Andorra</p> <p>7 BIH - Bosnia and Herzegovina</p> <p>DNS GEO - Georgia</p>
	<p>BUL 1st</p> <p>ISR 2nd</p> <p>SLO 3rd</p> <p>ROU 4th</p>	

Legend:

DNS Did Not Start

L Loss

wn Number of wins (n) against tied teams

DSC Draw Shot Challenge

Q Qualified for the play-offs

EE Extra End

W Win



ECC-C 2024
Dumfries, Scotland

European Curling Championships C-Division 2024
Dumfries Ice Bowl



Men

SAT 4 MAY 2024
Start Time 14:30

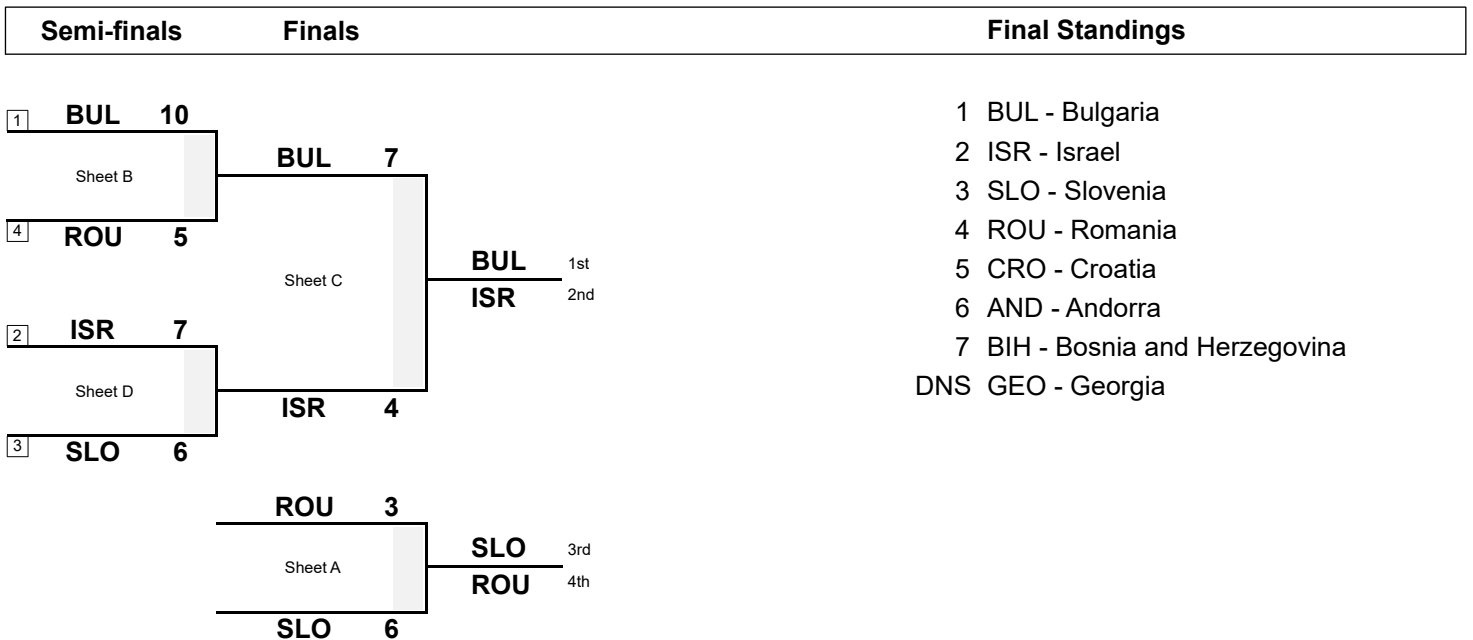
Finals



Session Results and Standings

Sheet	Team	LSFE	1	2	3	4	5	6	7	8	Extra Ends	Total
A	SLO - Slovenia	*	0	0	0	3	2	1	0	X		6
	ROU - Romania		0	0	2	0	0	0	1	X		3
C	ISR - Israel		0	0	1	0	1	0	2	X		4
	BUL - Bulgaria	*	1	1	0	2	0	3	0	X		7

Play-offs Bracket



Legend:
DNS Did Not Start **LSFE(*)** Last Stone First End **X** Unplayed/unfinished end due to concession





ECC-C 2024
Dumfries, Scotland

European Curling Championships C-Division 2024

Dumfries Ice Bowl
Men



SAT 4 MAY 2024
Start Time 9:00

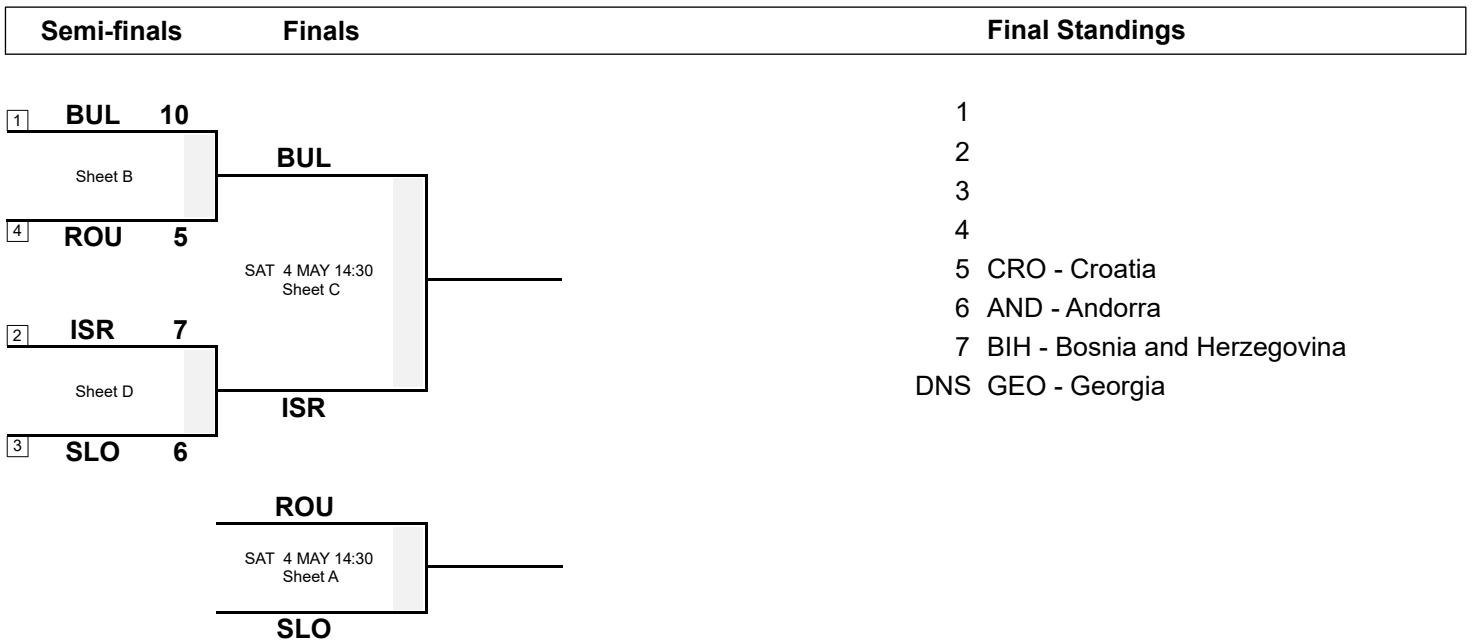
Semi-finals



Session Results and Standings

Sheet	Team	LSFE	1	2	3	4	5	6	7	8	Extra Ends	Total
B	ROU - Romania		3	1	0	0	0	1	0	X		5
	BUL - Bulgaria	*	0	0	2	1	3	0	4	X		10
D	ISR - Israel	*	1	0	3	0	0	2	0	1		7
	SLO - Slovenia		0	1	0	2	1	0	2	0		6

Play-offs Bracket



Legend:
DNS Did Not Start **LSFE(*)** Last Stone First End **X** Unplayed/unfinished end due to concession

Competition Matrix

Team	AND	BIH	BUL	CRO	GEO	ISR	ROU	SLO
AND		10 - 5	1 - 11	6 - 8	W - L	4 - 7	3 - 8	2 - 11
BIH	5 - 10		5 - 9	1 - 9	W - L	4 - 12	5 - 6	4 - 6
BUL	11 - 1	9 - 5		7 - 1	W - L	6 - 4	11 - 1	9 - 7
CRO	8 - 6	9 - 1	1 - 7		W - L	3 - 11	5 - 9	3 - 4
GEO	L - W	L - W	L - W	L - W		L - W	L - W	L - W
ISR	7 - 4	12 - 4	4 - 6	11 - 3	W - L		5 - 7	8 - 6
ROU	8 - 3	6 - 5	1 - 11	9 - 5	W - L	7 - 5		3 - 8
SLO	11 - 2	6 - 4	7 - 9	4 - 3	W - L	6 - 8	8 - 3	

Standings after Round Robin

Rank	Team	Games	Wins	Losses				
1	BUL - Bulgaria	7	7	0			Q	
2	ISR - Israel	7	5	2			Q	w1 DSC 58.84cm
3	SLO - Slovenia	7	5	2			Q	w1 DSC 59.82cm
4	ROU - Romania	7	5	2			Q	w1 DSC 67.56cm
5	CRO - Croatia	7	3	4				
6	AND - Andorra	7	2	5				
7	BIH - Bosnia and Herzegovina	7	1	6				
DNS	GEO - Georgia	7	0	7				

Legend:	DNS Did Not Start	DSC Draw Shot Challenge	L Loss
Q Qualified for the play-offs	W Win	wn Number of wins (n) against tied teams	

Draw Shot Challenge

REVISED
3 MAY 17:18

Rank	Team	Stone Rotation	Last Stone Draw in each Round Robin Game							DSC
			1	2	3	4	5	6	7	
1	ISR - Israel	↻	119.3	57.5	128.1	30.0	34.4	66.8	27.5	58.84cm
		↻	199.6	26.0	40.9	18.3	121.9	64.9	98.6	
2	SLO - Slovenia	↻	28.9	38.1	172.9	20.3	123.2	19.8	43.6	59.82cm
		↻	5.2	199.6	199.6	199.6	15.2	13.4	37.6	
3	ROU - Romania	↻	39.2	26.9	93.1	118.0	39.8	28.3	77.3	67.56cm
		↻	199.6	73.0	196.0	64.8	199.6	41.2	13.1	
4	BUL - Bulgaria	↻	189.7	45.2	183.1	194.3	81.4	61.3	39.8	71.62cm
		↻	98.7	23.1	40.7	39.2	31.6	25.6	199.6	
5	BIH - Bosnia and Herzegovina	↻	145.9	161.8	126.5	199.6	77.1	165.1	199.6	112.95cm
		↻	21.9	56.7	190.6	59.0	118.7	32.5	199.6	
6	AND - Andorra	↻	127.5	133.6	113.3	199.6	197.0	61.3	154.1	113.27cm
		↻	199.6	60.2	63.0	196.4	199.6	10.7	42.5	
7	CRO - Croatia	↻	199.6	199.6	125.1	17.5	38.0	138.1	26.6	126.48cm
		↻	199.6	162.0	199.6	126.3	140.2	199.6	145.1	
DNS	GEO - Georgia									

Note:

The Draw Shot Challenge (DSC) is the average distance of all the individual Last Stone Draws (LSD), which were delivered by a team during the round robin. The two least favourable results will be eliminated before calculating the average distance. The team with the lesser DSC receives the higher ranking. If the DSCs are equal then the team with the best non-equal counting LSD receives the higher ranking. In the case where all counting LSDs are equal, the team ranked higher in the official WCF World Rankings is ranked higher.

Legend:

↻ Clockwise

↻ Counter-clockwise

DNS Did Not Start

DSC Draw Shot Challenge

~~###.#~~ Eliminated Last Stone Draw

REVISED

Team GEO did not start the competition, only two players available to compete.

Scoring Analysis

Team	Games	LSFE	Stolen Ends	Last Stone Eff.	Force Eff.	Points Scored							Total	Plus / Minus
						0	1	2	3	4	>4			
BUL	For	7	11	55%	73%	0	12	9	2	3	1	53	+34	
	Against	0	4			1	11	4	0	0	0	19		
ISR	For	4	6	38%	42%	3	9	1	4	2	3	47	+17	
	Against	3	8			3	11	8	1	0	0	30		
SLO	For	4	11	35%	64%	1	13	11	1	1	0	42	+13	
	Against	3	5			1	12	5	1	1	0	29		
ROU	For	3	7	32%	69%	0	8	7	1	1	1	34	-3	
	Against	4	11			2	16	4	3	1	0	37		
CRO	For	2	7	25%	33%	4	7	8	2	0	0	29	-9	
	Against	5	6			4	8	7	0	0	3	38		
AND	For	4	7	27%	18%	1	8	6	2	0	0	26	-24	
	Against	3	13			1	8	10	3	2	1	50		
BIH	For	4	6	14%	33%	3	17	2	1	0	0	24	-28	
	Against	3	8			0	8	6	5	3	1	52		
Total	28		55			12	74	44	13	7	5	255		

Note:

Stolen ends are the ends won without the last stone advantage.

Last Stone Efficiency: Scoring two or more points with last stone advantage.

Force Efficiency: Forcing the opponent team to score only one point when they have the last stone advantage.

The Games Total includes games not played.

Legend:

>4 More than four points scored

Eff. Efficiency

LSFE Last Stone First End



Summary of Big Ends

Points Scored	By	Against	Session	End	Game Result
6	ISR - Israel	CRO - Croatia	5	6	11 : 3
5	ISR - Israel	CRO - Croatia	5	2	11 : 3
5	ISR - Israel	BIH - Bosnia and Herzegovina	2	6	12 : 4
5	BUL - Bulgaria	AND - Andorra	5	4	11 : 1
5	ROU - Romania	CRO - Croatia	2	6	9 : 5
4	BUL - Bulgaria	BIH - Bosnia and Herzegovina	7	1	9 : 5
4	BUL - Bulgaria	ROU - Romania	3	6	11 : 1
4	BUL - Bulgaria	SLO - Slovenia	2	3	9 : 7
4	ISR - Israel	AND - Andorra	6	7	7 : 4
4	ISR - Israel	BIH - Bosnia and Herzegovina	2	3	12 : 4
4	ROU - Romania	BIH - Bosnia and Herzegovina	5	6	6 : 5
4	SLO - Slovenia	AND - Andorra	3	6	11 : 2

Note:
Big ends are defined as ends with a score of four or more points.



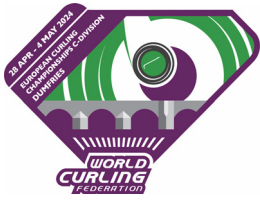
Session Results and Standings

Sheet	Team	LSD/LSFE	1	2	3	4	5	6	7	8	Extra Ends	Total
A	ROU - Romania	90.4cm *	2	3	0	0	0	2	1	X		8
	AND - Andorra	196.6cm	0	0	1	1	1	0	0	X		3
B	GEO - Georgia											L
	CRO - Croatia	171.7cm *										W
C	BIH - Bosnia and Herzegovina	399.2cm	0	0	1	0	1	0	2	1		5
	BUL - Bulgaria	239.4cm *	4	1	0	3	0	1	0	0		9
D	SLO - Slovenia	81.2cm *	2	0	1	2	1	0	0	0		6
	ISR - Israel	126.1cm	0	3	0	0	0	1	1	1	2	8

Standings after Round Robin

Rank	Team	Games	Wins	Losses			
1	BUL - Bulgaria	7	7	0		Q	
2	ISR - Israel	7	5	2		Q	w1 DSC 58.84cm
3	SLO - Slovenia	7	5	2		Q	w1 DSC 59.82cm
4	ROU - Romania	7	5	2		Q	w1 DSC 67.56cm
5	CRO - Croatia	7	3	4			
6	AND - Andorra	7	2	5			
7	BIH - Bosnia and Herzegovina	7	1	6			
DNS	GEO - Georgia	7	0	7			

Legend:	DSC Draw Shot Challenge	L Loss
DNS Did Not Start	LSFE(*) Last Stone First End	Q Qualified for the play-offs
LSD Last Stone Draw	wn Number of wins (n) against tied teams	X Unplayed/unfinished end due to concession
W Win		



ECC-C 2024
Dumfries, Scotland

European Curling Championships C-Division 2024

Dumfries Ice Bowl
Men



THU 2 MAY 2024
Start Time 19:00

Round Robin Session 6

**WORLD
CURLING**

Session Results and Standings

Sheet	Team	LSD/LSFE	1	2	3	4	5	6	7	8	Extra Ends	Total
A	BUL - Bulgaria	86.9cm *	1	0	1	1	0	2	2	X		7
	CRO - Croatia	337.7cm	0	0	0	0	1	0	0	X		1
B	ISR - Israel	131.7cm	0	0	0	3	0	0	4	X		7
	AND - Andorra	72.0cm *	0	2	0	0	1	1	0	X		4
C	ROU - Romania	69.5cm	2	0	0	1	0	0	0	0		3
	SLO - Slovenia	33.2cm *	0	1	1	0	1	1	1	3		8
D	GEO - Georgia											L
	BIH - Bosnia and Herzegovina	197.6cm *										W

Current Standings

Rank	Team	Games	Wins	Losses	
1	BUL - Bulgaria	6	6	0	Q
2	SLO - Slovenia	6	5	1	Q
3	ISR - Israel	6	4	2	Q
3	ROU - Romania	6	4	2	Q
5	AND - Andorra	6	2	4	
5	CRO - Croatia	6	2	4	
7	BIH - Bosnia and Herzegovina	6	1	5	
DNS	GEO - Georgia	6	0	6	

Note:

Under WCF rules, tie-breaking rules for standings are not applied until after the last game of the round robin.

Legend:

DNS Did Not Start

L Loss

LSD Last Stone Draw

LSFE(*) Last Stone First End

Q Qualified for the play-offs

W Win

X Unplayed/unfinished end due to concession

Session Results and Standings

Sheet	Team	LSD/LSFE	1	2	3	4	5	6	7	8	Extra Ends	Total	
A	SLO - Slovenia	138.4cm *										W	
	GEO - Georgia											L	
B	BIH - Bosnia and Herzegovina	195.8cm *	1	0	0	1	1	0	2	0			5
	ROU - Romania	239.4cm	0	1	0	0	0	4	0	1			6
C	CRO - Croatia	178.2cm	0	0	0	0	3	0	X	X			3
	ISR - Israel	156.3cm *	0	5	0	0	0	6	X	X			11
D	AND - Andorra	396.6cm	0	0	1	0	0	0	X	X			1
	BUL - Bulgaria	113.0cm *	2	1	0	5	2	1	X	X			11

Current Standings

Rank	Team	Games	Wins	Losses	
1	BUL - Bulgaria	5	5	0	Q
2	ROU - Romania	5	4	1	
2	SLO - Slovenia	5	4	1	
4	ISR - Israel	5	3	2	
5	AND - Andorra	5	2	3	
5	CRO - Croatia	5	2	3	
7	BIH - Bosnia and Herzegovina	5	0	5	
DNS	GEO - Georgia	5	0	5	

Note:

Under WCF rules, tie-breaking rules for standings are not applied until after the last game of the round robin.

Legend:

DNS Did Not Start

L Loss

LSD Last Stone Draw

LSFE(*) Last Stone First End

Q Qualified for the play-offs

W Win

X Unplayed/unfinished end due to concession



Session Results and Standings

Sheet	Team	LSD/LSFE	1	2	3	4	5	6	7	8	Extra Ends	Total
A	AND - Andorra	396.0cm	2	0	3	1	0	0	3	1		10
	BIH - Bosnia and Herzegovina	258.6cm *	0	3	0	0	1	1	0	0		5
B	CRO - Croatia	143.8cm *	0	1	0	0	1	0	1	0		3
	SLO - Slovenia	219.9cm	0	0	0	1	0	2	0	1		4
C	BUL - Bulgaria	233.5cm *										W
	GEO - Georgia											L
D	ISR - Israel	48.3cm *	0	1	0	0	0	3	0	1		5
	ROU - Romania	182.8cm	0	0	2	1	2	0	2	0		7

Current Standings

Rank	Team	Games	Wins	Losses
1	BUL - Bulgaria	4	4	0
2	ROU - Romania	4	3	1
2	SLO - Slovenia	4	3	1
4	AND - Andorra	4	2	2
4	CRO - Croatia	4	2	2
4	ISR - Israel	4	2	2
7	BIH - Bosnia and Herzegovina	4	0	4
DNS	GEO - Georgia	4	0	4

Note:
Under WCF rules, tie-breaking rules for standings are not applied until after the last game of the round robin.

Legend:
DNS Did Not Start **L** Loss **LSD** Last Stone Draw
LSFE(*) Last Stone First End **W** Win



Session Results and Standings

Sheet	Team	LSD/LSFE	1	2	3	4	5	6	7	8	Extra Ends	Total
A	BIH - Bosnia and Herzegovina	167.8cm	0	1	0	1	1	0	1	0		4
	SLO - Slovenia	34.1cm *	1	0	2	0	0	1	0	2		6
B	BUL - Bulgaria	288.4cm *	2	0	0	0	1	0	2	1		6
	ISR - Israel	318.9cm	0	1	1	1	0	1	0	0		4
C	AND - Andorra	327.1cm *	2	0	0	2	2	0	0	0		6
	CRO - Croatia	399.2cm	0	2	2	0	0	1	2	1		8
D	ROU - Romania	238.8cm *										W
	GEO - Georgia											L

Current Standings

Rank	Team	Games	Wins	Losses
1	BUL - Bulgaria	1	1	0
1	CRO - Croatia	1	1	0
1	ROU - Romania	1	1	0
1	SLO - Slovenia	1	1	0
5	AND - Andorra	1	0	1
5	BIH - Bosnia and Herzegovina	1	0	1
5	ISR - Israel	1	0	1
DNS	GEO - Georgia	1	0	1

Note:

Under WCF rules, tie-breaking rules for standings are not applied until after the last game of the round robin.

Legend:

DNS Did Not Start

L Loss

LSD Last Stone Draw

LSFE(*) Last Stone First End

W Win

Team GEO did not start the competition, only two players available to compete.

Entry List by Event

REVISED

3 MAY 16:58

As of FRI 3 MAY 2024

AND - Andorra		
4 S	GARCIA Josep	R
3 V	MORRAL Enric	R
2	MIALDEA Cesar	R
1	ORTIZ Valentin	R
A	-	
C	-	
O	-	
O	-	

GEO - Georgia		DNS
4	-	
3	-	
2	-	
1	-	
A	-	
C	-	
O	-	
O	-	

BIH - Bosnia and Herzegovina		
4 S	DORIC Mak	R
3 V	SAVIC Vladan	R
2	IGNJIC Slavenko	R
1	MARKOVIC Igor	R
A	MACAR Bojan	R
C	-	
O	-	
O	-	

ISR - Israel		
4 S	POKRAS Alex	R
3	ABANIN Dmitri	R
2	SIDNEY Lawrence	L
1 V	LUTZ Jeffrey Yaakov	R
A	-	
C	-	
O	-	
O	-	

BUL - Bulgaria		
4 S	SEILER Reto	R
3 V	MOMERIN Bojidar	R
2	TODOROV Tihomir	L
1	PETROV Stanimir	R
A	RUNTOV Nikolay	R
C	-	
O	-	
O	-	

ROU - Romania		
4 S	COLIBAN Allen	R
3 V	MATAU Cristian	R
2	COLCERIU Bogdan	R
1	FELECAN Matei	R
A	GHERGIE Dan	R
C	TRAILA Iulia	
O	BOBOC Crina	
O	-	

CRO - Croatia		
4	TOLIC Hrvoje	R
3 S	BAUS Ante	R
2	JURKOVIC Miroslav	R
1 V	SAMARDZIC Bruno	R
A	HORVAT Vedran	R
C	MIKLOS Nandor (HUN)	
O	-	
O	-	

SLO - Slovenia		
4 S	ZELINKA Gabor Bor	R
3	OMERZEL Jakob	R
2	LANGUS Simon	R
1 V	ZELINKA Javor Brin	R
A	GREGORI Noel	R
C	TISLER Tomas	
O	-	
O	-	

Note:

Position and function for each team member:

4 = Fourth, **3** = Third, **2** = Second, **1** = Lead, **A** = Alternate, **S** = Skip, **V** = Vice-Skip

C = Coach, **2C** = 2nd Team Coach, **NC** = National Coach, **T** = Translator, **O** = Team Official

Legend:

DNS Did Not Start

L Left-handed

R Right-handed

REVISED

Team GEO did not start the competition, only two players available to compete.

As per rule C2(j) team members who were not present at the start of an event have been removed.



Competition Officials

As of TUE 30 APR 2024

Function	Name	Organisation
WCF President:	WELLING Beau	USA - United States
WCF Head of Competitions:	ROETHLISBERGER Eeva	SUI - Switzerland
World Curling Technical Delegate:	WILLMS Karri	CAN - Canada
Chief Umpire:	BRODIE Harry	SCO - Scotland
Deputy Chief Umpire:	PATERSON Kaye	SCO - Scotland
Timing Supervisors:	FAIRWEATHER Kirstina HOGG Jim	SCO - Scotland SCO - Scotland
Chief Ice Technician:	CALLAN Mark	SCO - Scotland
Deputy Chief Ice Technician:	KAPRALIK Patrik	SVK - Slovakia

Competition Schedule

As of SAT 27 APR 2024

Date	Start Time	Session	Sheet A	Sheet B	Sheet C	Sheet D	Sheet E	
SUN 28 APR	19:00	w1	bel - ned	esp - por	ukr - rou	wal - cro	svk - fra	
MON 29 APR	10:00	w2	ukr - wal	fra - cro	por - bel	svk - ned	rou - esp	
	14:30	M1	BIH - SLO	BUL - ISR	AND - CRO	ROU - GEO		
	19:00	w3	por - svk	ned - rou	wal - esp	ukr - fra	cro - bel	
TUE 30 APR	10:00	M2	CRO - ROU	AND - GEO	ISR - BIH	BUL - SLO		
	14:30	w4	esp - fra	bel - ukr	svk - cro	rou - por	wal - ned	
	19:00	M3	GEO - ISR	ROU - BUL	SLO - AND	BIH - CRO		
WED 1 MAY	10:00	w5	rou - cro	svk - wal	fra - ned	esp - bel	por - ukr	
	14:30	M4	AND - BIH	CRO - SLO	BUL - GEO	ISR - ROU		
	19:00	w6	fra - bel	por - ned	rou - wal	cro - ukr	esp - svk	
THU 2 MAY	10:00	M5	SLO - GEO	BIH - ROU	CRO - ISR	AND - BUL		
	14:30	w7	wal - por	ukr - esp	bel - svk	fra - rou	ned - cro	
	19:00	M6	BUL - CRO	ISR - AND	ROU - SLO	GEO - BIH		
FRI 3 MAY	10:00	w8	svk - ukr	wal - fra	cro - por	ned - esp	bel - rou	
	14:30	M7	ROU - AND	GEO - CRO	BIH - BUL	SLO - ISR		
	19:00	w9	cro - esp	rou - svk	ned - ukr	bel - wal	fra - por	
SAT 4 MAY	9:00	Men's and Women's Semi-finals						
	14:30	Men's and Women's Finals						

Note:

Lowercase - women UPPERCASE - MEN

First named team in each game plays red-handled stones and wears dark coloured upper playing garments.

Please check online for more details and the latest updates.

Legend:

Mn Men's session n

wn Women's session n