



# RESULTS BOOK



**World Senior Curling Championship 2025**

**Men**

**Fredericton, NB, CAN**

**26 April - 3 May 2025**





**WSSC 2025**  
Fredericton, NB, Canada

SAT 3 MAY 2025

**World Senior Curling Championships 2025**

Willie O'Ree Place

**Men**



## Medallists

Medal	Country	Name	Position - Function
GOLD	CAN - Canada	BRYDEN Randy	4 S
		ROBINSON Troy	3
		BRYDEN Russ	2
		SEMENCHUCK Chris	1
		HILL Glen	A
SILVER	SCO - Scotland	BREWSTER Tom	4 S
		HARE Frazer	3
		STEVENSON Robbie	2
		FRAME Don	1
BRONZE	USA - United States	FARBELOW Mike	4 S
		RUOHONEN Rich	3
		STOPERA Bill	2
		LEHTO Darren	1
		ANNIS Pete	C

**Note:**

Position and function for each team member:

**4** = Fourth, **3** = Third, **2** = Second, **1** = Lead, **A** = Alternate, **S** = Skip, **C** = Coach



## Final Standings

Rank	Team	Players	Position - Function	Group Rank	DSC
1	CAN - Canada	BRYDEN Randy	4 S		
		ROBINSON Troy	3 V		
		BRYDEN Russ	2		
		SEMENCHUCK Chris	1		
		HILL Glen	A		
		-	C		
2	SCO - Scotland	BREWSTER Tom	4 S		
		HARE Frazer	3 V		
		STEVENSON Robbie	2		
		FRAME Don	1		
		-	A		
		-	C		
3	USA - United States	FARBELOW Mike	4 S		
		RUOHONEN Rich	3		
		STOPERA Bill	2 V		
		LEHTO Darren	1		
		-	A		
		ANNIS Pete	C		
4	FIN - Finland	RANTAMAKI Tomi	4 S		
		POLLANEN Jermu	3 V		
		SALO Teemu	2		
		LEHMUSKOSKI Ville	1		
		-	A		
		-	C		
5	CZE - Czechia	SIK David	4 S		
		BROZEK Marek	3 V		
		MENSIK Pavel	2		
		CHOBOT Jiri	1		
		-	A		
		-	C		
5	GER - Germany	KAPP Andy	4 S		
		AXNICK Oliver	3 V		
		HOEHNE Holger	2		
		KEMPF Andreas	1		
		MESSENZEHL Markus	A		
		WENDORF Keith	C		
5	NOR - Norway	UGLAND Even	4 S		
		SAGEN Rolf	3 V		
		SANDEAKER Karsten	2		
		KARTERUD Jon Sverre	1		
		RICHARDSEN Paul	A		
		HOILAND Tom	C		



## Final Standings

Rank	Team	Players	Position - Function	Group Rank	DSC
5	SUI - Switzerland	WUEEST Dieter	4 S		
		PIESBERGEN Jens	3 V		
		ERB Ernst	2		
		LUETHI Daniel	1		
		SYFRIG Marc	A		
		ZUERRER Martin	C		
9	ENG - England	HORTON Ken	4 S		
		McGLYNN Douglas	3 V		
		GREGORY Martin	2		
		BRAND Stuart	1		
		-	A		
		McGLYNN Andy	C		
9	HUN - Hungary	NAGY Gyorgy	4 S		
		JAKAB Zoltan	3		
		BARTALUS Gabor	2 V		
		BARNA Krisztian	1		
		-	A		
		ELL Darrell	C		
9	POL - Poland	HERMAN Damian	4 S		
		KLOS Pawel	3		
		PIOTROWICZ Pawel	2		
		NOWAK Krzysztof	1 V		
		TOMICA Janusz	A		
		-	C		
9	SWE - Sweden	ERIKSSON Dan-Ola	4 S		
		HALLSTROEM Fredrik	3		
		OLIN Tommy	2		
		HALLSTROEM Rickard	1 V		
		CARLSEN Per	A		
		BERGGREN Niklas	C		
13	ITA - Italy	MENARDI Antonio	4 S	C3	87.12 cm
		BOMBASEI Valter	3 V		
		CONSTANTINI Marco	2		
		REGIS Adriano	1		
		-	A		
		-	C		
14	POR - Portugal	SANTOS Vitor	4 S	A3	98.84 cm
		CHAVES Allan	3 V		
		RIBAU Jose	2		
		PACHECO Joao	1		
		SMITH Neil	A		
		-	C		



## Final Standings

Rank	Team	Players	Position - Function	Group Rank	DSC
15	KOR - Korea	JUNG Jaesuk	4 S	D3	128.22 cm
		JUNG Hyoheon	3 V		
		LEE Ilkyu	2		
		SEO Jungwoo	1		
		SON Jinsuk	A		
		CHUNG Wonsuk	C		
16	JPN - Japan	NAKAMURA Yoshito	4	B4	56.06 cm
		SEGAWA Hidenobu	3 V		
		SUGAWARA Hirotada	2		
		FUNAKI Kazuhito	1 S		
		DEN Naofumi	A		
		TOMABECHI Michiko	C		
17	AUS - Australia	LORRAIN-SMITH Hamish	4 S	E4	58.49 cm
		BOYD James	3 V		
		DAVIS Geoff	2		
		IMLAH David	1		
		MACDONALD Brian	A		
		-	C		
18	DEN - Denmark	TIDMAND Soeren	4 S	D4	90.74 cm
		LORENTZEN Jens Groth	3		
		MUELLER Lars	2		
		LEGAARD Bo	1 V		
		-	A		
		-	C		
19	LAT - Latvia	REGZA Ansis	4 S	C4	104.84 cm
		REDLIHS Janis	3 V		
		LINUZS Edgars	2		
		LACIS Aivars	1		
		-	A		
		-	C		
20	WAL - Wales	TANNER Andrew	4 S	A4	107.53 cm
		POUGHER Richard	3 V		
		REID Alistair	2		
		FYFFE George	1		
		-	A		
		-	C		
21	IRL - Ireland	GRAY Bill	4 S	A5	69.76 cm
		WHYTE David	3 V		
		FYFE Neil	2		
		CAMPBELL Tommy	1		
		-	A		
		-	C		



## Final Standings

Rank	Team	Players	Position - Function	Group Rank	DSC
22	SLO - Slovenia	KAJIN John	4 S	E5	76.96 cm
		KOLENKO John	3 V		
		KROSEL Tony	2		
		KONCAN Val	1		
		ULCAR Stan	A		
		KUMER John	C		
23	ISR - Israel	GOLBERG Kevin	4 S	B5	81.54 cm
		POKRAS Alex	3 V		
		HOROWITZ Aaron	2		
		KEMPENICH Henrique	1		
		-	A		
		GARGUL Neil	C		
24	NZL - New Zealand	WATT Dave	4 S	D5	86.48 cm
		CRAIG Iain	3 V		
		DEPAPE Lorne	2		
		FOTTI Dean	1		
		TELFER Tom	A		
		-	C		
25	FRA - France	ADAM Pascal	4 S	C5	100.78 cm
		CHAUVEAU Mathieu	3		
		WALTER Christophe	2 V		
		THERIAS Philippe	1		
		-	A		
		LOBE THERIAS Cheryl	C		
26	EST - Estonia	TUBALKAIN Margus	4 S	B6	96.18 cm
		VOOREMAA Valvo	3 V		
		TURMANN Tonis	2		
		REINOLA Hannes	1		
		-	A		
		-	C		
27	NGR - Nigeria	COLE T. J.	4 S	C6	109.29 cm
		JOHNSON Chad	3 V		
		NEIMETH Charles	2		
		BRIANNE Robert	1		
		DANIEL Damola	A		
		ROBICHAUD Ellery	C		
28	ESP - Spain	TORRALBA ANAYA David	4	D6	115.32 cm
		CARASA CRUZ Jose	3 V		
		DE PAZ GUTIEZ Eduardo	2		
		GARCIA MAYOR Angel	1 S		
		SANDONIS BENITO Paco	A		
		MARIN Felipe	C		



## Final Standings

Rank	Team	Players	Position - Function	Group Rank	DSC
29	NED - Netherlands	BOMAS Bob	4 S	A6	127.72 cm
		MURRAY George	3 V		
		VAN WIERINGEN Willem	2		
		KOORNSTRA Johannes	1		
		DE JONG Andre	A		
		KOORNSTRA-VAN ENS Sippie	C		
30	PHI - Philippines	OCHOCO Jonathan	4 S	E6	150.09 cm
		GARBES Peter	3 V		
		ONGLINGSWAN Alastair	2		
		GARBES Jason	1		
		-	A		
		MACLAUGHLIN GARBES Heather	C		
31	BEL - Belgium	VAN DIJCK Stefan	4 S	A7	152.93 cm
		VERBUEKEN Walter	3 V		
		PALMANS Bart	2		
		DE SWERT Jan	1		
		-	A		
		-	C		

**Note:**

Final standings are based on play-off results and group standings. Losers of the quarter-finals are ranked equal fifth. Losers of the qualification are ranked equal ninth. The remaining teams are ranked according to their group rank and the Draw Shot Challenge (DSC).

Position and function for each team member:

**4** = Fourth, **3** = Third, **2** = Second, **1** = Lead, **A** = Alternate, **S** = Skip, **V** = Vice-Skip, **C** = Coach



## Competition Summary

Session	Date Time	Sheet F	Sheet G	Sheet H	Sheet J	Sheet K	Sheet L
Session 1	26 APR 8:30	POL 6 - 5 SUI	AUS 7 - 3 PHI	SLO 1 - 16 CZE	KOR 7 - 2 NZL	ESP 6 - 11 DEN	GER 5 - 3 SCO
Session 2	26 APR 12:30	IRL 5 - 6 <sup>EE</sup> POR	SWE 3 - 7 NOR		ENG 12 - 5 WAL	ISR 11 - 1 EST	
Session 3	26 APR 18:00	FIN 7 - 3 HUN	JPN 4 - 12 USA	CAN 6 - 3 <sup>EE</sup> BEL	FRA 7 - 9 ITA	NGR 3 - 8 LAT	NED 7 - 12 IRL
Session 5	27 APR 12:00	DEN 4 - 8 KOR	ESP 2 - 11 SCO		USA 8 - 4 HUN		
Session 6	27 APR 16:00	LAT 2 - 7 SWE	SUI 8 - 3 CZE	FRA 9 - 2 NGR	AUS 5 - 8 POL	ITA 2 - 9 NOR	PHI 1 - 9 SLO
Session 7	27 APR 20:00	ISR 6 - 8 JPN	EST 1 - 19 FIN	ENG 15 - 3 NED	CAN 15 - 2 POR	GER 9 - 6 NZL	WAL 7 - 8 BEL
Session 8	28 APR 8:00	NGR 2 - 13 NOR	FRA 3 - 7 LAT	AUS 6 - 10 SUI	PHI 1 - 12 CZE	SLO 10 - 8 <sup>EE</sup> POL	ITA 2 - 9 SWE
Session 10	28 APR 16:00	ENG 2 - 8 CAN	WAL 8 - 5 IRL	JPN 8 - 2 EST	FIN 9 - 3 ISR	POR 6 - 5 BEL	
Session 11	28 APR 20:00			DEN 4 - 9 GER	NZL 1 - 8 SCO	KOR 12 - 1 ESP	
Session 12	29 APR 8:00	USA 5 - 2 ISR	HUN 9 - 2 EST	IRL 3 - 8 ENG	POR 4 - 7 NED		CAN 11 - 2 WAL
Session 13	29 APR 12:00			SCO 5 - 3 KOR			JPN 4 - 8 FIN
Session 14	29 APR 16:00	SLO 3 - 4 AUS	NZL 4 - 9 DEN	WAL 3 - 7 POR	GER 12 - 0 ESP	PHI 2 - 10 SUI	CZE 9 - 3 POL
Session 15	29 APR 20:00		NGR 1 - 12 ITA		NOR 3 - 5 LAT	SWE 9 - 2 FRA	
Session 16	30 APR 8:00	BEL 3 - 8 NED		NZL 6 - 5 ESP			
Session 17	30 APR 12:00		KOR 3 - 7 GER	HUN 6 - 5 ISR		IRL 4 - 9 CAN	EST 2 - 14 USA
Session 18	30 APR 16:00		BEL 6 - 14 ENG	LAT 6 - 7 ITA	SWE 16 - 0 NGR	NED 6 - 7 <sup>EE</sup> WAL	NOR 16 - 4 FRA
Session 19	30 APR 20:00				SCO 17 - 1 DEN		
Session 20	1 MAY 8:00			FIN 7 - 1 USA	BEL 4 - 7 IRL	HUN 8 - 3 JPN	POR 4 - 6 ENG
Session 21	1 MAY 12:00		NED 2 - 14 CAN	POL 7 - 4 PHI	SUI 8 - 4 SLO	CZE 8 - 4 AUS	
Qualifications	1 MAY 20:00		CZE 11 - 7 SWE	POL 1 - 12 GER	USA 8 - 3 HUN	ENG 2 - 10 SCO	
Quarter-finals	2 MAY 13:00		CAN 6 - 5 GER	CZE 2 - 5 FIN	SUI 3 - 8 SCO	NOR 3 - 6 USA	
Semi-finals	2 MAY 19:30		SCO 10 - 1 USA			FIN 3 - 6 CAN	
Finals	3 MAY 10:00			SCO 7 - 10 CAN	USA 6 - 5 FIN		





## Competition Summary

### Standings after Round Robin

Group A							Group B						
Rank	Team	Games	Wins	Losses		DSC	Rank	Team	Games	Wins	Losses		DSC
1	CAN - Canada	6	6	0	Q	55.66cm	1	FIN - Finland	5	5	0	Q	36.58cm
2	ENG - England	6	5	1	Q	104.67cm	2	USA - United States	5	4	1	Q	33.79cm
3	POR - Portugal	6	3	3		98.84cm	3	HUN - Hungary	5	3	2	Q	52.71cm
4	WAL - Wales	6	2	4	w2		4	JPN - Japan	5	2	3		
5	IRL - Ireland	6	2	4	w1		5	ISR - Israel	5	1	4		
6	NED - Netherlands	6	2	4	w0		6	EST - Estonia	5	0	5		
7	BEL - Belgium	6	1	5									

Group C							Group D						
Rank	Team	Games	Wins	Losses		DSC	Rank	Team	Games	Wins	Losses		DSC
1	NOR - Norway	5	4	1	Q w1	55.18cm	1	GER - Germany	5	5	0	Q	73.52cm
2	SWE - Sweden	5	4	1	Q w0	57.01cm	2	SCO - Scotland	5	4	1	Q	49.57cm
3	ITA - Italy	5	3	2	w1	87.12cm	3	KOR - Korea	5	3	2		128.22cm
4	LAT - Latvia	5	3	2	w0		4	DEN - Denmark	5	2	3		
5	FRA - France	5	1	4			5	NZL - New Zealand	5	1	4		
6	NGR - Nigeria	5	0	5			6	ESP - Spain	5	0	5		

Group E						
Rank	Team	Games	Wins	Losses		DSC
1	SUI - Switzerland	5	4	1	Q w1	41.61cm
2	CZE - Czechia	5	4	1	Q w0	68.78cm
3	POL - Poland	5	3	2	Q	78.70cm
4	AUS - Australia	5	2	3	w1	
5	SLO - Slovenia	5	2	3	w0	
6	PHI - Philippines	5	0	5		

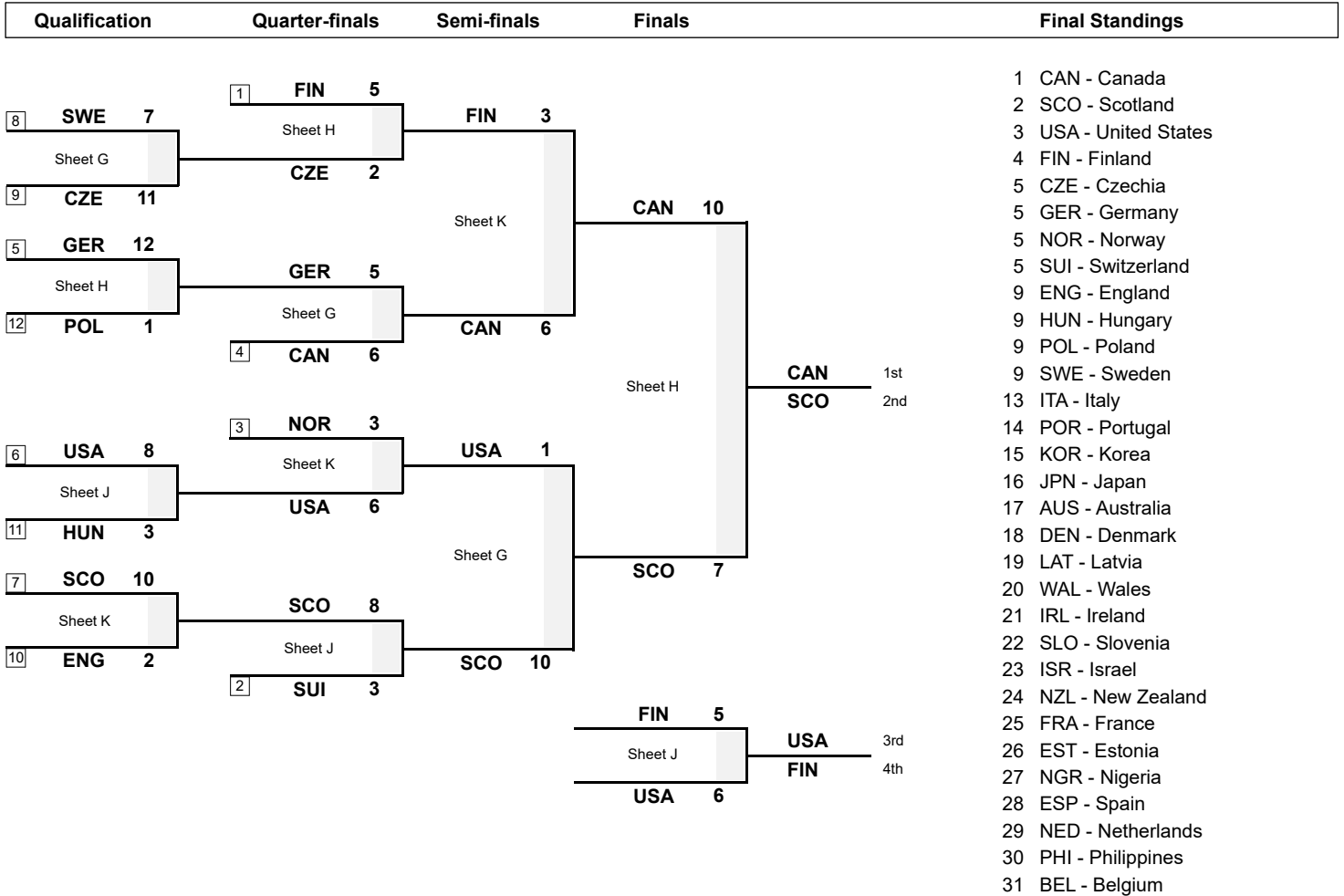
### Merged Group Standings

Rank	Team	Round Robin Results			Rank	Team	Round Robin Results			Rank	Team	Round Robin Results		
		Group Rank		DSC			Group Rank		DSC			Group Rank		DSC
1	FIN - Finland	B	1	36.58cm	12	POL - Poland	E	3	78.70cm	23	ISR - Israel	B	5	81.54cm
2	SUI - Switzerland	E	1	41.61cm	13	ITA - Italy	C	3	87.12cm	24	NZL - New Zealand	D	5	86.48cm
3	NOR - Norway	C	1	55.18cm	14	POR - Portugal	A	3	98.84cm	25	FRA - France	C	5	100.78cm
4	CAN - Canada	A	1	55.66cm	15	KOR - Korea	D	3	128.22cm	26	EST - Estonia	B	6	96.18cm
5	GER - Germany	D	1	73.52cm	16	JPN - Japan	B	4	56.06cm	27	NGR - Nigeria	C	6	109.29cm
6	USA - United States	B	2	33.79cm	17	AUS - Australia	E	4	58.49cm	28	ESP - Spain	D	6	115.32cm
7	SCO - Scotland	D	2	49.57cm	18	DEN - Denmark	D	4	90.74cm	29	NED - Netherlands	A	6	127.72cm
8	SWE - Sweden	C	2	57.01cm	19	LAT - Latvia	C	4	104.84cm	30	PHI - Philippines	E	6	150.09cm
9	CZE - Czechia	E	2	68.78cm	20	WAL - Wales	A	4	107.53cm	31	BEL - Belgium	A	7	152.93cm
10	ENG - England	A	2	104.67cm	21	IRL - Ireland	A	5	69.76cm					
11	HUN - Hungary	B	3	52.71cm	22	SLO - Slovenia	E	5	76.96cm					



## Competition Summary

### Play-offs Bracket



**Legend:**

**DSC** Draw Shot Challenge

**EE** Extra End

**Q** Qualified for the play-offs

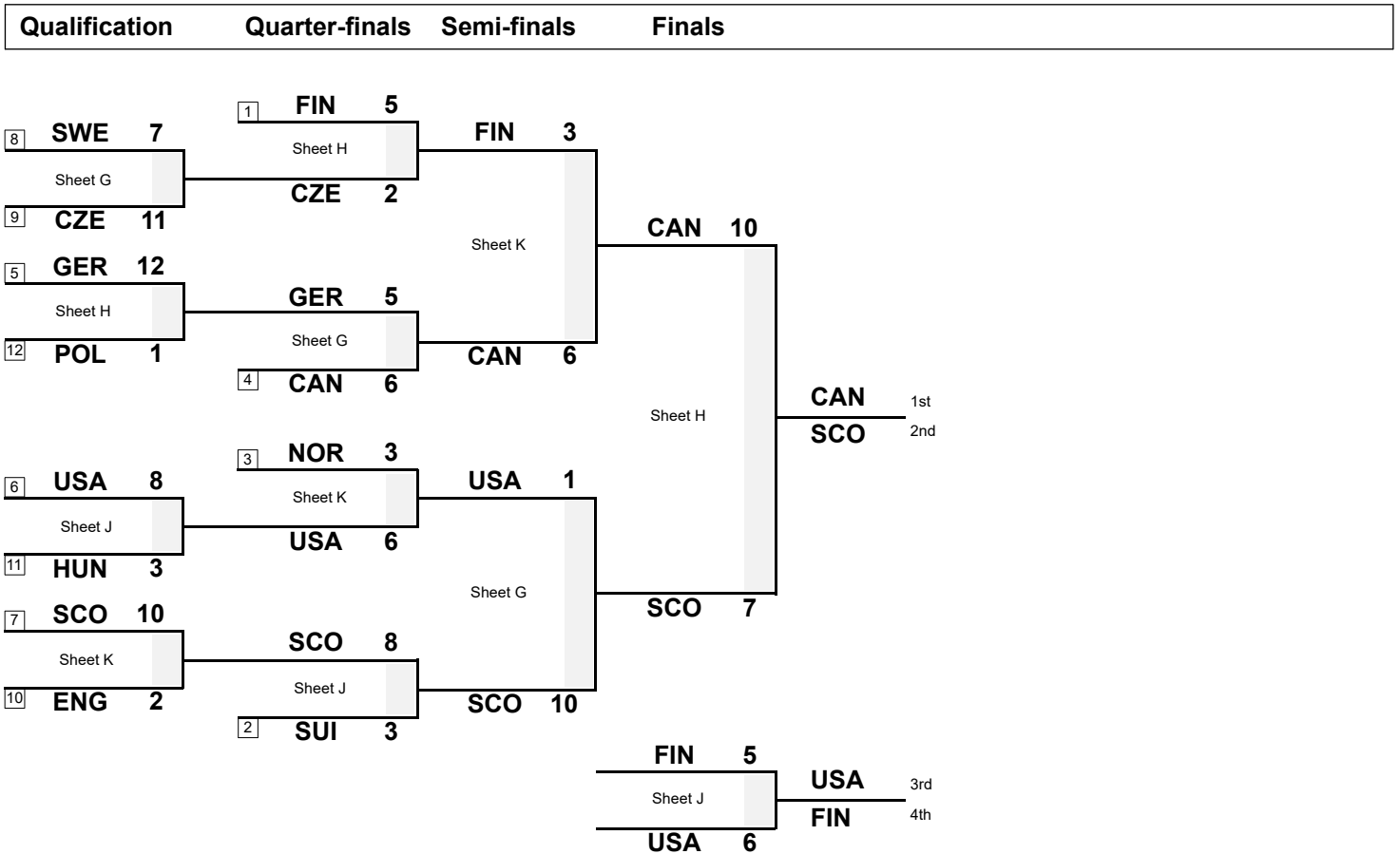
**wn** Number of wins (n) against tied teams



**Session Results and Standings**

Sheet	Team	LSD/LSFE	1	2	3	4	5	6	7	8	Extra Ends	Total
<b>H</b>	SCO - Scotland	222.9cm	3	0	2	0	0	2	0	0		7
	CAN - Canada	172.8cm *	0	3	0	3	0	0	3	1		10
<b>J</b>	USA - United States	32.0cm *	0	2	0	1	1	0	1	1		6
	FIN - Finland	298.6cm	2	0	2	0	0	1	0	0		5

**Play-offs Bracket**



**Legend:**  
LSD Last Stone Draw      LSFE(\*) Last Stone First End







**WSSC 2025**  
Fredericton, NB, Canada

SAT 3 MAY 2025  
Start Time 10:00

**World Senior Curling Championships 2025**

Willie O'Ree Place

**Men**

**Bronze Medal Game**



**Game Results**

Sheet	Team	LSFE	1	2	3	4	5	6	7	8	Extra Ends	Total
J	USA - United States	*	0	2	0	1	1	0	1	1		6
	FIN - Finland		2	0	2	0	0	1	0	0		5

USA - United States	
4 S	FARBELOW Mike
3	RUOHONEN Rich
2 V	STOPERA Bill
1	LEHTO Darren
A	-

FIN - Finland	
4 S	RANTAMAKI Tomi
3 V	POLLANEN Jermu
2	SALO Teemu
1	LEHMUSKOSKI Ville
A	-

Last Stone Draw		Distance
↻	STOPERA Bill	5.2cm
↻	FARBELOW Mike	26.8cm
<b>Total</b>		<b>32.0cm</b>

Last Stone Draw		Distance
↻	RANTAMAKI Tomi	99.0cm
↻	SALO Teemu	199.6cm
<b>Total</b>		<b>298.6cm</b>

**Note:**  
Position and function for each team member:  
**4** = Fourth, **3** = Third, **2** = Second, **1** = Lead, **A** = Alternate, **S** = Skip, **V** = Vice-Skip

**Legend:**  
↻ Clockwise      ↻ Counter-clockwise      **LSFE(\*)** Last Stone First End



### Scoring Analysis

Team	Games	LSFE	Stolen Ends	Last Stone Eff.	Force Eff.	Points Scored							Total	Plus / Minus
						0	1	2	3	4	>4			
CAN	For	7	13	63%	71%	4	10	8	10	6	1	85	+55	
	Against	2	5			5	16	4	2	0	0	30		
SCO	For	6	17	71%	63%	5	9	14	6	6	0	79	+51	
	Against	3	3			3	13	3	3	0	0	28		
FIN	For	4	13	43%	78%	2	12	10	3	3	2	63	+37	
	Against	4	4			2	18	4	0	0	0	26		
GER	For	2	14	56%	58%	3	9	7	6	2	2	59	+36	
	Against	5	4			4	10	5	1	0	0	23		
CZE	For	3	16	44%	50%	2	9	9	6	4	0	61	+32	
	Against	4	6			0	9	7	2	0	0	29		
NOR	For	4	9	35%	67%	1	10	6	3	2	2	51	+29	
	Against	2	6			1	14	4	0	0	0	22		
SWE	For	3	15	44%	56%	0	12	8	3	1	2	51	+27	
	Against	3	5			1	8	3	2	1	0	24		
USA	For	5	9	54%	68%	4	10	9	4	4	1	61	+21	
	Against	4	7			4	16	7	2	1	0	40		
ENG	For	2	10	48%	47%	2	11	5	4	4	2	59	+20	
	Against	5	5			0	9	10	2	1	0	39		
SUI	For	5	6	52%	53%	1	9	8	5	1	0	44	+15	
	Against	1	4			1	11	6	2	0	0	29		
KOR	For	1	7	57%	70%	2	8	6	3	1	0	33	+14	
	Against	4	3			2	8	4	1	0	0	19		
LAT	For	2	6	53%	82%	2	6	8	2	0	0	28	+5	
	Against	3	7			0	15	2	0	1	0	23		
HUN	For	3	6	26%	29%	0	13	5	2	1	0	33	0	
	Against	3	4			2	7	8	2	1	0	33		
ITA	For	3	8	25%	40%	0	10	4	3	0	1	32	0	
	Against	2	6			0	7	4	4	0	1	32		
ISR	For	4	4	26%	55%	1	8	6	1	1	0	27	-2	
	Against	1	7			1	10	6	1	1	0	29		
AUS	For	2	5	33%	36%	1	6	7	2	0	0	26	-6	
	Against	3	8			2	9	8	1	1	0	32		
IRL	For	4	3	23%	56%	0	11	2	3	3	0	36	-6	
	Against	2	10			1	15	8	1	2	0	42		
JPN	For	2	6	31%	42%	0	11	5	2	0	0	27	-9	
	Against	3	4			2	6	5	1	3	1	36		
SLO	For	3	8	28%	50%	0	12	6	1	0	0	27	-10	
	Against	2	7			1	7	2	6	2	0	37		
POL	For	4	2	35%	43%	2	8	6	3	1	0	33	-12	
	Against	2	10			0	9	9	6	0	0	45		



**Scoring Analysis**

Team	Games	LSFE	Stolen Ends	Last Stone Eff.	Force Eff.	Points Scored						Total	Plus / Minus	
						0	1	2	3	4	>4			
POR	6	For	4	6	18%	40%	2	16	5	1	0	0	29	-12
		Against	2	6			1	10	6	2	2	1	41	
DEN	5	For	3	4	44%	17%	0	6	5	3	1	0	29	-15
		Against	2	7			0	6	6	3	3	1	44	
WAL	6	For	5	7	19%	42%	0	13	5	3	0	0	32	-17
		Against	1	12			0	9	9	2	4	0	49	
FRA	5	For	3	5	28%	23%	0	10	6	1	0	0	25	-18
		Against	2	6			0	6	7	3	2	1	43	
BEL	6	For	1	5	30%	41%	2	9	7	2	0	0	29	-19
		Against	5	7			2	11	4	7	2	0	48	
NZL	5	For	4	4	21%	20%	0	11	4	0	0	0	19	-19
		Against	1	8			2	7	6	2	2	1	38	
NED	6	For	1	11	30%	36%	0	15	7	0	1	0	33	-22
		Against	5	8			0	8	3	5	4	2	55	
PHI	5	For	1	1	5%	25%	0	9	1	0	0	0	11	-34
		Against	4	10			0	7	9	4	2	0	45	
ESP	5	For	1	1	9%	20%	0	6	1	2	0	0	14	-38
		Against	4	14			0	9	5	7	3	0	52	
NGR	5	For	1	1	0%	11%	0	8	0	0	0	0	8	-50
		Against	4	17			0	7	13	3	0	3	58	
EST	5	For	0	1	5%	30%	1	6	1	0	0	0	8	-53
		Against	5	13			0	6	4	7	4	2	61	
<b>Total</b>	<b>93</b>			<b>223</b>			<b>37</b>	<b>303</b>	<b>181</b>	<b>84</b>	<b>42</b>	<b>13</b>	<b>1,152</b>	

**Note:**  
 Stolen ends are the ends won without the last stone advantage.  
 Last Stone Efficiency: Scoring two or more points with last stone advantage.  
 Force Efficiency: Forcing the opponent team to score only one point when they have the last stone advantage.

**Legend:**  
**>4** More than four points scored      **Eff.** Efficiency      **LSFE** Last Stone First End



## Summary of Big Ends

Points Scored	By	Against	Session	End	Game Result
6	NOR - Norway	FRA - France	18	5	16 : 4
6	NOR - Norway	NGR - Nigeria	8	1	13 : 2
5	ENG - England	NED - Netherlands	7	7	15 : 3
5	ENG - England	NED - Netherlands	7	2	15 : 3
5	FIN - Finland	EST - Estonia	7	4	19 : 1
5	FIN - Finland	EST - Estonia	7	3	19 : 1
5	GER - Germany	DEN - Denmark	11	7	9 : 4
5	GER - Germany	NZL - New Zealand	7	3	9 : 6
5	SWE - Sweden	NGR - Nigeria	18	6	16 : 0
5	SWE - Sweden	ITA - Italy	8	6	9 : 2
5	CAN - Canada	POR - Portugal	7	6	15 : 2
5	ITA - Italy	NGR - Nigeria	15	2	12 : 1
5	USA - United States	JPN - Japan	3	1	12 : 4
4	CAN - Canada	NED - Netherlands	21	3	14 : 2
4	CAN - Canada	NED - Netherlands	21	2	14 : 2
4	CAN - Canada	IRL - Ireland	17	2	9 : 4
4	CAN - Canada	WAL - Wales	12	5	11 : 2
4	CAN - Canada	WAL - Wales	12	1	11 : 2
4	CAN - Canada	POR - Portugal	7	3	15 : 2
4	SCO - Scotland	USA - United States	SF	7	10 : 1
4	SCO - Scotland	ENG - England	QG	3	10 : 2
4	SCO - Scotland	DEN - Denmark	19	3	17 : 1
4	SCO - Scotland	DEN - Denmark	19	2	17 : 1
4	SCO - Scotland	DEN - Denmark	19	1	17 : 1
4	SCO - Scotland	ESP - Spain	5	2	11 : 2
4	CZE - Czechia	SWE - Sweden	QG	7	11 : 7
4	CZE - Czechia	PHI - Philippines	8	3	12 : 1
4	CZE - Czechia	PHI - Philippines	8	1	12 : 1
4	CZE - Czechia	SLO - Slovenia	1	1	16 : 1
4	ENG - England	BEL - Belgium	18	6	14 : 6
4	ENG - England	BEL - Belgium	18	1	14 : 6
4	ENG - England	WAL - Wales	2	7	12 : 5
4	ENG - England	WAL - Wales	2	2	12 : 5
4	USA - United States	EST - Estonia	17	4	14 : 2
4	USA - United States	EST - Estonia	17	1	14 : 2
4	USA - United States	HUN - Hungary	5	5	8 : 4
4	USA - United States	JPN - Japan	3	7	12 : 4
4	FIN - Finland	JPN - Japan	13	1	8 : 4





## Summary of Big Ends

Points Scored	By	Against	Session	End	Game Result
4	FIN - Finland	ISR - Israel	10	6	9 : 3
4	FIN - Finland	EST - Estonia	7	1	19 : 1
4	IRL - Ireland	NED - Netherlands	3	6	12 : 7
4	IRL - Ireland	NED - Netherlands	3	1	12 : 7
4	IRL - Ireland	POR - Portugal	2	1	5 : 6
4	GER - Germany	ESP - Spain	14	6	12 : 0
4	GER - Germany	NZL - New Zealand	7	6	9 : 6
4	NOR - Norway	FRA - France	18	2	16 : 4
4	NOR - Norway	FRA - France	18	1	16 : 4
4	DEN - Denmark	NZL - New Zealand	14	4	9 : 4
4	HUN - Hungary	JPN - Japan	20	4	8 : 3
4	ISR - Israel	EST - Estonia	2	6	11 : 1
4	KOR - Korea	ESP - Spain	11	4	12 : 1
4	NED - Netherlands	IRL - Ireland	3	4	7 : 12
4	POL - Poland	SLO - Slovenia	8	2	8 : 10
4	SUI - Switzerland	AUS - Australia	8	3	10 : 6
4	SWE - Sweden	LAT - Latvia	6	1	7 : 2

**Note:**

Big ends are defined as ends with a score of four or more points.

**Legend:**

**Q** Qualification

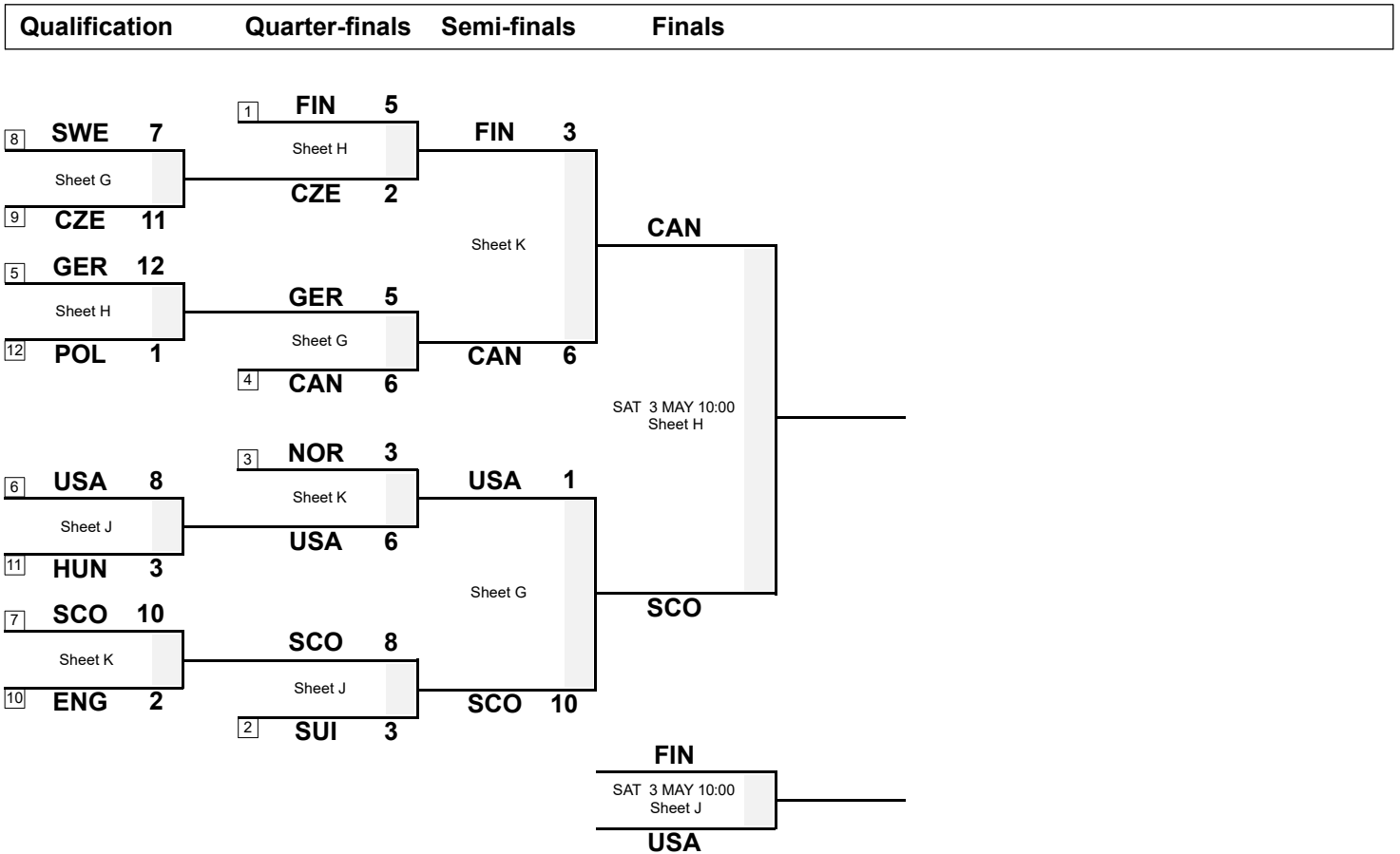
**SF** Semi-final



**Session Results and Standings**

Sheet	Team	LSD/LSFE	1	2	3	4	5	6	7	8	Extra Ends	Total
<b>G</b>	SCO - Scotland	46.8cm *	0	0	2	1	0	3	4	X		10
	USA - United States	93.3cm	0	0	0	0	1	0	0	X		1
<b>K</b>	FIN - Finland	33.9cm	0	0	0	2	0	1	0	0		3
	CAN - Canada	28.3cm *	1	0	1	0	2	0	1	1		6

**Play-offs Bracket**



**Legend:**  
**LSD** Last Stone Draw      **LSFE(\*)** Last Stone First End      **X** Unplayed/unfinished end due to concession





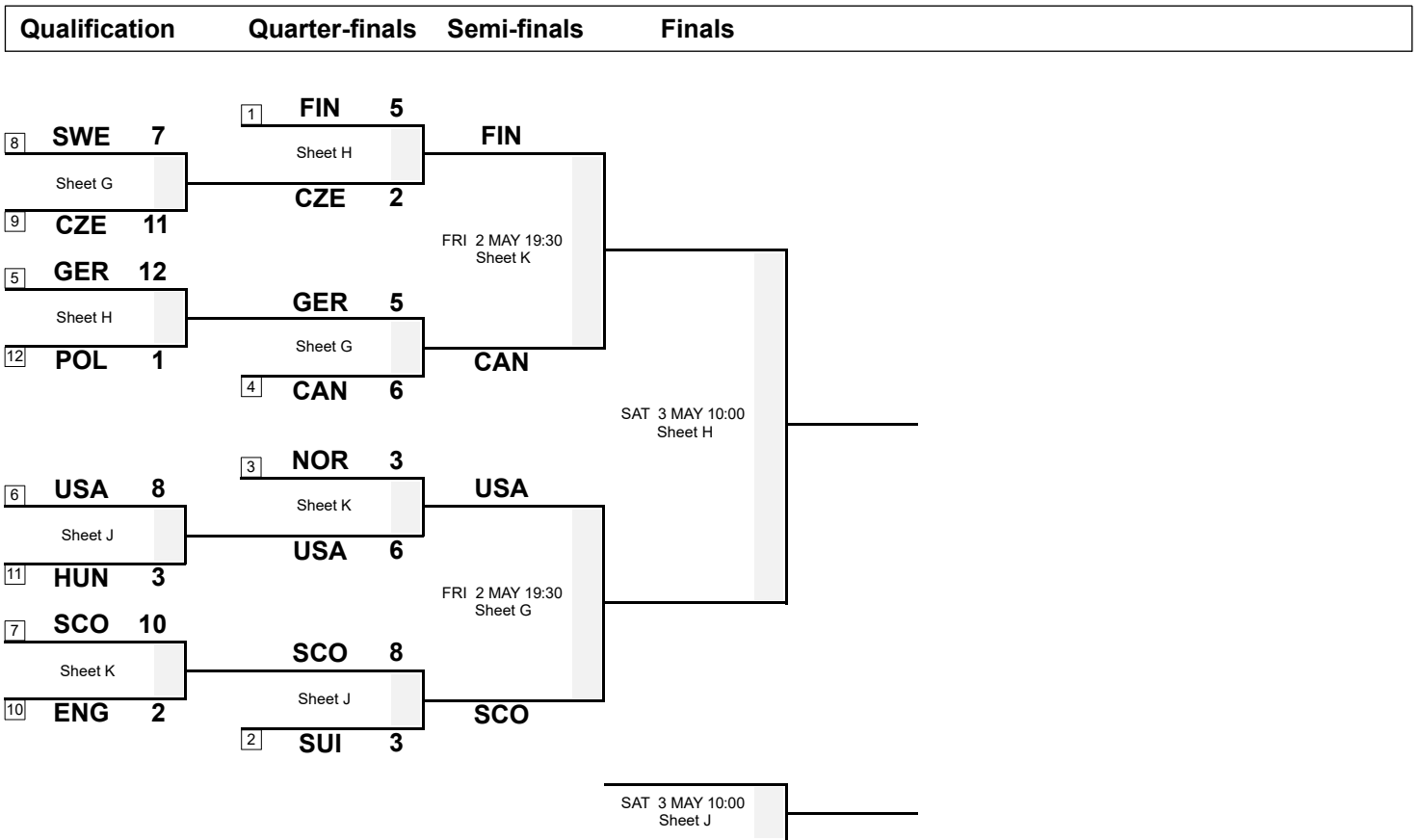




**Session Results and Standings**

Sheet	Team	LSD/LSFE	1	2	3	4	5	6	7	8	Extra Ends	Total
<b>G</b>	CAN - Canada	55.9cm *	0	0	2	0	1	3	0	0		6
	GER - Germany	152.6cm	0	0	0	3	0	0	2	0		5
<b>H</b>	CZE - Czechia	182.8cm	0	0	1	0	0	0	1	X		2
	FIN - Finland	122.2cm *	1	1	0	1	0	2	0	X		5
<b>J</b>	SUI - Switzerland	99.8cm *	0	0	2	0	1	0	0	X		3
	SCO - Scotland	189.3cm	0	1	0	3	0	2	2	X		8
<b>K</b>	NOR - Norway	75.9cm *	1	0	0	0	0	1	0	1		3
	USA - United States	117.0cm	0	2	1	0	1	0	2	0		6

**Play-offs Bracket**



<b>Legend:</b>	<b>LSD</b> Last Stone Draw	<b>LSFE(*)</b> Last Stone First End	<b>X</b> Unplayed/unfinished end due to concession
----------------	----------------------------	-------------------------------------	--











**Game Results**

Sheet	Team	LSFE	1	2	3	4	5	6	7	8	Extra Ends	Total
K	NOR - Norway	*	1	0	0	0	0	1	0	1		3
	USA - United States		0	2	1	0	1	0	2	0		6

NOR - Norway	
4 S	UGLAND Even
3 V	SAGEN Rolf
2	SANDEAKER Karsten
1	KARTERUD Jon Sverre
A	RICHARDSEN Paul

USA - United States	
4 S	FARBELOW Mike
3	RUOHONEN Rich
2 V	STOPERA Bill
1	LEHTO Darren
A	-

Last Stone Draw		Distance
↻	SAGEN Rolf	48.6cm
↺	UGLAND Even	27.3cm
<b>Total</b>		<b>75.9cm</b>

Last Stone Draw		Distance
↻	RUOHONEN Rich	88.4cm
↺	FARBELOW Mike	28.6cm
<b>Total</b>		<b>117.0cm</b>

**Note:**  
Position and function for each team member:  
4 = Fourth, 3 = Third, 2 = Second, 1 = Lead, A = Alternate, S = Skip, V = Vice-Skip

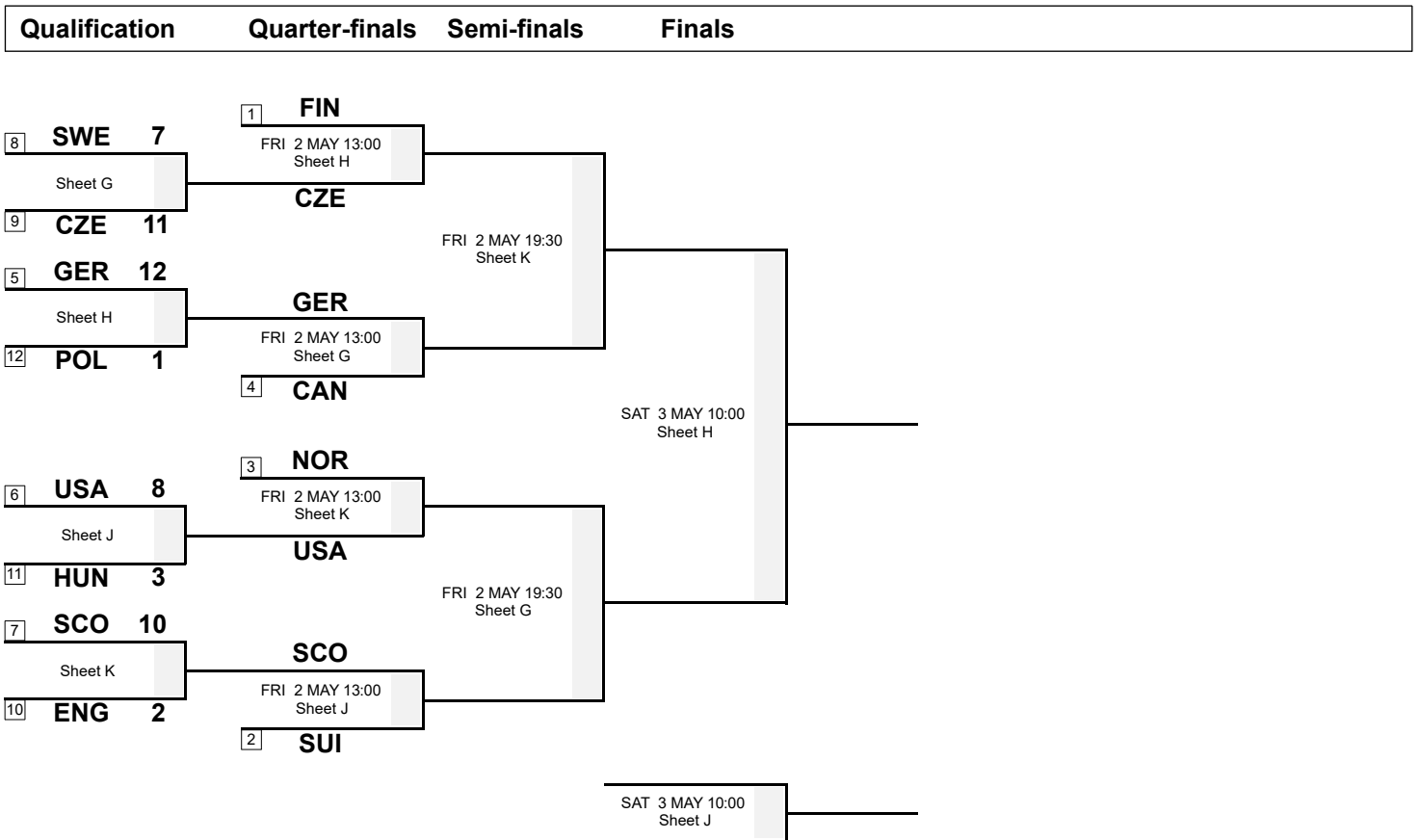
**Legend:**  
↻ Clockwise      ↺ Counter-clockwise      **LSFE(\*)** Last Stone First End



### Session Results and Standings

Sheet	Team	LSD/LSFE	1	2	3	4	5	6	7	8	Extra Ends	Total
G	CZE - Czechia	57.7cm *	0	1	1	0	2	0	4	3		11
	SWE - Sweden	395.6cm	3	0	0	2	0	2	0	0		7
H	POL - Poland	29.6cm *	0	0	0	1	0	0	X	X		1
	GER - Germany	109.2cm	3	3	3	0	2	1	X	X		12
J	USA - United States	55.1cm *	2	1	2	0	3	0	X	X		8
	HUN - Hungary	57.0cm	0	0	0	2	0	1	X	X		3
K	ENG - England	50.6cm	1	0	0	1	0	0	X	X		2
	SCO - Scotland	49.3cm *	0	2	4	0	2	2	X	X		10

### Play-offs Bracket



<b>Legend:</b>	<b>LSD</b> Last Stone Draw	<b>LSFE(*)</b> Last Stone First End	<b>X</b> Unplayed/unfinished end due to concession
----------------	----------------------------	-------------------------------------	--













### Competition Matrix

#### Group A

Team	BEL	CAN	ENG	IRL	NED	POR	WAL
<b>BEL</b>		3 - 6	6 - 14	4 - 7	3 - 8	5 - 6	8 - 7
<b>CAN</b>	6 - 3		8 - 2	9 - 4	14 - 2	15 - 2	11 - 2
<b>ENG</b>	14 - 6	2 - 8		8 - 3	15 - 3	6 - 4	12 - 5
<b>IRL</b>	7 - 4	4 - 9	3 - 8		12 - 7	5 - 6	5 - 8
<b>NED</b>	8 - 3	2 - 14	3 - 15	7 - 12		7 - 4	6 - 7
<b>POR</b>	6 - 5	2 - 15	4 - 6	6 - 5	4 - 7		7 - 3
<b>WAL</b>	7 - 8	2 - 11	5 - 12	8 - 5	7 - 6	3 - 7	

### Standings after Round Robin

Rank	Team	Games	Wins	Losses		
1	CAN - Canada	6	6	0	Q	DSC 55.66cm
2	ENG - England	6	5	1	Q	DSC 104.67cm
3	POR - Portugal	6	3	3		DSC 98.84cm
4	WAL - Wales	6	2	4		w2
5	IRL - Ireland	6	2	4		w1
6	NED - Netherlands	6	2	4		w0
7	BEL - Belgium	6	1	5		



### Competition Matrix

#### Group B

Team	EST	FIN	HUN	ISR	JPN	USA
EST		1 - 19	2 - 9	1 - 11	2 - 8	2 - 14
FIN	19 - 1		7 - 3	9 - 3	8 - 4	7 - 1
HUN	9 - 2	3 - 7		6 - 5	8 - 3	4 - 8
ISR	11 - 1	3 - 9	5 - 6		6 - 8	2 - 5
JPN	8 - 2	4 - 8	3 - 8	8 - 6		4 - 12
USA	14 - 2	1 - 7	8 - 4	5 - 2	12 - 4	

### Standings after Round Robin

Rank	Team	Games	Wins	Losses		
1	FIN - Finland	5	5	0	Q	DSC 36.58cm
2	USA - United States	5	4	1	Q	DSC 33.79cm
3	HUN - Hungary	5	3	2	Q	DSC 52.71cm
4	JPN - Japan	5	2	3		
5	ISR - Israel	5	1	4		
6	EST - Estonia	5	0	5		





### Competition Matrix

#### Group C

Team	FRA	ITA	LAT	NGR	NOR	SWE
FRA		7 - 9	3 - 7	9 - 2	4 - 16	2 - 9
ITA	9 - 7		7 - 6	12 - 1	2 - 9	2 - 9
LAT	7 - 3	6 - 7		8 - 3	5 - 3	2 - 7
NGR	2 - 9	1 - 12	3 - 8		2 - 13	0 - 16
NOR	16 - 4	9 - 2	3 - 5	13 - 2		7 - 3
SWE	9 - 2	9 - 2	7 - 2	16 - 0	3 - 7	

### Standings after Round Robin

Rank	Team	Games	Wins	Losses				
1	NOR - Norway	5	4	1	Q	w1	DSC	55.18cm
2	SWE - Sweden	5	4	1	Q	w0	DSC	57.01cm
3	ITA - Italy	5	3	2		w1	DSC	87.12cm
4	LAT - Latvia	5	3	2		w0		
5	FRA - France	5	1	4				
6	NGR - Nigeria	5	0	5				



### Competition Matrix

#### Group D

Team	DEN	ESP	GER	KOR	NZL	SCO
<b>DEN</b>		11 - 6	4 - 9	4 - 8	9 - 4	1 - 17
<b>ESP</b>	6 - 11		0 - 12	1 - 12	5 - 6	2 - 11
<b>GER</b>	9 - 4	12 - 0		7 - 3	9 - 6	5 - 3
<b>KOR</b>	8 - 4	12 - 1	3 - 7		7 - 2	3 - 5
<b>NZL</b>	4 - 9	6 - 5	6 - 9	2 - 7		1 - 8
<b>SCO</b>	17 - 1	11 - 2	3 - 5	5 - 3	8 - 1	

### Standings after Round Robin

Rank	Team	Games	Wins	Losses		
1	GER - Germany	5	5	0	Q	DSC 73.52cm
2	SCO - Scotland	5	4	1	Q	DSC 49.57cm
3	KOR - Korea	5	3	2		DSC 128.22cm
4	DEN - Denmark	5	2	3		
5	NZL - New Zealand	5	1	4		
6	ESP - Spain	5	0	5		



### Competition Matrix

#### Group E

Team	AUS	CZE	PHI	POL	SLO	SUI
AUS		4 - 8	7 - 3	5 - 8	4 - 3	6 - 10
CZE	8 - 4		12 - 1	9 - 3	16 - 1	3 - 8
PHI	3 - 7	1 - 12		4 - 7	1 - 9	2 - 10
POL	8 - 5	3 - 9	7 - 4		8 - 10	6 - 5
SLO	3 - 4	1 - 16	9 - 1	10 - 8		4 - 8
SUI	10 - 6	8 - 3	10 - 2	5 - 6	8 - 4	

### Standings after Round Robin

Rank	Team	Games	Wins	Losses				
1	SUI - Switzerland	5	4	1	Q	w1	DSC	41.61cm
2	CZE - Czechia	5	4	1	Q	w0	DSC	68.78cm
3	POL - Poland	5	3	2	Q		DSC	78.70cm
4	AUS - Australia	5	2	3		w1		
5	SLO - Slovenia	5	2	3		w0		
6	PHI - Philippines	5	0	5				

<b>Legend:</b>	<b>DSC</b> Draw Shot Challenge	<b>Q</b> Qualified for the play-offs	<b>wn</b> Number of wins (n) against tied teams
----------------	--------------------------------	--------------------------------------	---



### Draw Shot Challenge by Group

Group A		Stone Rotation	Last Stone Draw in each Round Robin Game						DSC
Rank	Team		1	2	3	4	5	6	
1	CAN - Canada	↻	13.2	78.3	16.5	<del>163.1</del>	21.1	<del>119.2</del>	<b>55.66cm</b>
		↻	42.9	142.1	39.1	113.4	34.3	<del>10.5</del>	
2	IRL - Ireland	↻	<del>168.1</del>	43.7	17.1	76.3	124.4	<del>78.5</del>	<b>69.76cm</b>
		↻	55.9	48.8	160.2	32.7	68.7	<del>48.2</del>	
3	POR - Portugal	↻	71.1	88.9	199.6	33.7	160.0	<del>151.6</del>	<b>98.84cm</b>
		↻	<del>199.6</del>	26.8	46.6	138.7	124.2	<del>30.4</del>	
4	ENG - England	↻	157.1	194.0	90.0	22.5	199.6	<del>199.6</del>	<b>104.67cm</b>
		↻	<del>199.6</del>	85.0	66.7	49.7	77.4	<del>115.6</del>	
5	WAL - Wales	↻	<del>199.6</del>	177.9	199.6	28.3	67.0	<del>31.0</del>	<b>107.53cm</b>
		↻	62.9	49.9	63.6	119.0	199.6	<del>98.0</del>	
6	NED - Netherlands	↻	159.3	124.6	52.9	118.6	102.8	<del>98.6</del>	<b>127.72cm</b>
		↻	<del>199.6</del>	84.3	199.6	199.6	107.8	<del>112.9</del>	
7	BEL - Belgium	↻	181.3	120.7	199.6	199.6	105.0	<del>175.8</del>	<b>152.93cm</b>
		↻	<del>199.6</del>	199.6	57.4	113.6	199.6	<del>91.4</del>	

Group B		Stone Rotation	Last Stone Draw in each Round Robin Game					DSC
Rank	Team		1	2	3	4	5	
1	USA - United States	↻	37.6	<del>115.9</del>	51.4	8.8	66.4	<b>33.79cm</b>
		↻	23.1	39.4	29.1	7.5	40.8	
2	FIN - Finland	↻	31.6	62.3	<del>74.0</del>	11.6	23.6	<b>36.58cm</b>
		↻	71.3	34.3	22.8	29.2	42.5	
3	HUN - Hungary	↻	3.9	26.2	24.5	<del>199.6</del>	45.1	<b>52.71cm</b>
		↻	38.8	62.2	27.5	46.6	199.6	
4	JPN - Japan	↻	65.5	91.2	24.5	18.7	134.2	<b>56.06cm</b>
		↻	81.8	49.5	19.1	<del>199.6</del>	20.0	
5	ISR - Israel	↻	29.1	62.4	20.1	199.6	23.1	<b>81.54cm</b>
		↻	<del>199.6</del>	51.3	56.1	199.6	92.6	
6	EST - Estonia	↻	34.0	21.3	98.0	41.3	114.9	<b>96.18cm</b>
		↻	101.0	<del>199.6</del>	199.6	199.6	55.9	



### Draw Shot Challenge by Group

Group C		Stone Rotation	Last Stone Draw in each Round Robin Game					DSC
Rank	Team		1	2	3	4	5	
1	NOR - Norway	↻	<del>199.6</del>	38.5	12.1	67.9	24.1	<b>55.18cm</b>
		↻	58.4	159.4	42.8	15.8	77.6	
2	SWE - Sweden	↻	48.1	114.3	<del>199.6</del>	7.8	159.1	<b>57.01cm</b>
		↻	13.6	47.3	53.3	29.7	39.9	
3	ITA - Italy	↻	<del>199.6</del>	146.0	74.8	75.5	22.5	<b>87.12cm</b>
		↻	46.2	199.6	69.5	50.1	99.9	
4	FRA - France	↻	<del>199.6</del>	105.7	41.7	199.6	62.1	<b>100.78cm</b>
		↻	41.0	199.6	23.3	48.3	185.7	
5	LAT - Latvia	↻	58.1	80.0	199.6	199.6	60.7	<b>104.84cm</b>
		↻	<del>199.6</del>	84.6	101.8	98.0	61.2	
6	NGR - Nigeria	↻	<del>199.6</del>	168.0	1.3	199.6	102.9	<b>109.29cm</b>
		↻	69.0	199.6	80.1	108.3	54.8	

Group D		Stone Rotation	Last Stone Draw in each Round Robin Game					DSC
Rank	Team		1	2	3	4	5	
1	SCO - Scotland	↻	18.7	153.2	101.3	20.7	8.7	<b>49.57cm</b>
		↻	37.1	42.4	<del>171.9</del>	32.9	31.1	
2	GER - Germany	↻	115.9	108.6	59.0	114.9	27.2	<b>73.52cm</b>
		↻	61.1	20.7	121.1	33.2	<del>160.0</del>	
3	NZL - New Zealand	↻	56.8	48.1	57.5	161.9	63.5	<b>86.48cm</b>
		↻	42.7	24.8	<del>199.6</del>	161.2	161.8	
4	DEN - Denmark	↻	47.2	30.7	199.6	49.3	106.2	<b>90.74cm</b>
		↻	37.5	<del>199.6</del>	90.1	199.6	56.5	
5	ESP - Spain	↻	112.7	<del>199.6</del>	199.6	48.6	103.4	<b>115.32cm</b>
		↻	64.6	199.6	74.7	51.9	182.8	
6	KOR - Korea	↻	<del>199.6</del>	148.2	132.8	18.2	91.1	<b>128.22cm</b>
		↻	199.6	170.1	76.2	126.5	191.3	

Group E		Stone Rotation	Last Stone Draw in each Round Robin Game					DSC
Rank	Team		1	2	3	4	5	
1	SUI - Switzerland	↻	16.5	15.4	40.2	68.1	19.5	<b>41.61cm</b>
		↻	79.1	29.1	32.3	<del>139.1</del>	74.3	
2	AUS - Australia	↻	44.9	37.7	108.9	6.1	57.5	<b>58.49cm</b>
		↻	92.8	87.1	54.7	<del>199.6</del>	36.7	
3	CZE - Czechia	↻	96.6	37.6	<del>199.6</del>	167.1	29.4	<b>68.78cm</b>
		↻	74.8	32.3	105.8	38.1	37.3	
4	SLO - Slovenia	↻	70.5	32.9	119.3	199.6	13.8	<b>76.96cm</b>
		↻	<del>199.6</del>	150.9	35.0	40.3	30.3	
5	POL - Poland	↻	<del>199.6</del>	199.6	175.9	101.6	29.9	<b>78.70cm</b>
		↻	55.8	26.2	28.6	8.7	82.0	
6	PHI - Philippines	↻	149.4	199.6	102.8	199.6	199.6	<b>150.09cm</b>
		↻	<del>199.6</del>	118.6	131.0	50.6	199.6	



## Draw Shot Challenge by Group

**Note:**  
The Draw Shot Challenge (DSC) is the average distance of all the individual Last Stone Draws (LSD), which were delivered by a team during the round robin. Since the groups are of differing sizes, to ensure the DSC is calculated the same way, only the LSDs from the first 'equal number' of games will be used. The single least favourable result will be eliminated before calculating the average distance. The team with the lesser DSC receives the higher ranking. If the DSCs are equal then the team with the best non-equal counting LSD receives the higher ranking. In the case where all counting LSDs are equal, the team ranked higher in the official World Curling World Ranking is ranked higher.

**Legend:**  
🕒 Clockwise      🕒 Counter-clockwise      **DSC** Draw Shot Challenge  
**nnn.n** Eliminated Last Stone Draw



### Scoring Analysis

Team	Games	LSFE	Stolen Ends	Last Stone Eff.	Force Eff.	Points Scored							Total	Plus / Minus
						0	1	2	3	4	>4			
CAN	For	4	9	67%	100%	1	4	6	6	6	1	63	+48	
	Against	2	4			3	15	0	0	0	0	15		
FIN	For	3	10	64%	80%	1	7	6	3	3	2	50	+38	
	Against	2	0			1	8	2	0	0	0	12		
NOR	For	3	9	47%	80%	0	7	6	3	2	2	48	+32	
	Against	2	4			1	12	2	0	0	0	16		
SCO	For	4	10	64%	78%	2	7	6	3	4	0	44	+32	
	Against	1	1			2	8	2	0	0	0	12		
CZE	For	2	14	60%	50%	1	5	8	5	3	0	48	+31	
	Against	3	3			0	6	4	1	0	0	17		
SWE	For	3	14	42%	67%	0	12	6	2	1	2	44	+31	
	Against	2	3			1	6	2	1	0	0	13		
ENG	For	2	9	56%	53%	2	9	5	4	4	2	57	+28	
	Against	4	3			0	9	7	2	0	0	29		
GER	For	2	10	50%	56%	3	8	5	2	2	2	42	+26	
	Against	3	3			1	8	4	0	0	0	16		
USA	For	3	3	60%	80%	4	2	4	3	4	1	40	+21	
	Against	2	4			1	10	3	1	0	0	19		
SUI	For	4	6	59%	62%	0	8	7	5	1	0	41	+20	
	Against	1	2			1	10	4	1	0	0	21		
KOR	For	1	7	57%	70%	2	8	6	3	1	0	33	+14	
	Against	4	3			2	8	4	1	0	0	19		
HUN	For	3	6	27%	33%	0	12	4	2	1	0	30	+5	
	Against	2	2			2	6	6	1	1	0	25		
LAT	For	2	6	53%	82%	2	6	8	2	0	0	28	+5	
	Against	3	7			0	15	2	0	1	0	23		
ITA	For	3	8	25%	40%	0	10	4	3	0	1	32	0	
	Against	2	6			0	7	4	4	0	1	32		
POL	For	3	2	43%	46%	2	7	6	3	1	0	32	-1	
	Against	2	6			0	8	8	3	0	0	33		
ISR	For	4	4	26%	55%	1	8	6	1	1	0	27	-2	
	Against	1	7			1	10	6	1	1	0	29		
AUS	For	2	5	33%	36%	1	6	7	2	0	0	26	-6	
	Against	3	8			2	9	8	1	1	0	32		
IRL	For	4	3	23%	56%	0	11	2	3	3	0	36	-6	
	Against	2	10			1	15	8	1	2	0	42		
JPN	For	2	6	31%	42%	0	11	5	2	0	0	27	-9	
	Against	3	4			2	6	5	1	3	1	36		
SLO	For	3	8	28%	50%	0	12	6	1	0	0	27	-10	
	Against	2	7			1	7	2	6	2	0	37		



**Scoring Analysis**

Team	Games	LSFE	Stolen Ends	Last Stone Eff.	Force Eff.	Points Scored						Total	Plus / Minus
						0	1	2	3	4	>4		
POR	For	4	6	18%	40%	2	16	5	1	0	0	29	-12
	Against	2	6			1	10	6	2	2	1	41	
DEN	For	3	4	44%	17%	0	6	5	3	1	0	29	-15
	Against	2	7			0	6	6	3	3	1	44	
WAL	For	5	7	19%	42%	0	13	5	3	0	0	32	-17
	Against	1	12			0	9	9	2	4	0	49	
FRA	For	3	5	28%	23%	0	10	6	1	0	0	25	-18
	Against	2	6			0	6	7	3	2	1	43	
BEL	For	1	5	30%	41%	2	9	7	2	0	0	29	-19
	Against	5	7			2	11	4	7	2	0	48	
NZL	For	4	4	21%	20%	0	11	4	0	0	0	19	-19
	Against	1	8			2	7	6	2	2	1	38	
NED	For	1	11	30%	36%	0	15	7	0	1	0	33	-22
	Against	5	8			0	8	3	5	4	2	55	
PHI	For	1	1	5%	25%	0	9	1	0	0	0	11	-34
	Against	4	10			0	7	9	4	2	0	45	
ESP	For	1	1	9%	20%	0	6	1	2	0	0	14	-38
	Against	4	14			0	9	5	7	3	0	52	
NGR	For	1	1	0%	11%	0	8	0	0	0	0	8	-50
	Against	4	17			0	7	13	3	0	3	58	
EST	For	0	1	5%	30%	1	6	1	0	0	0	8	-53
	Against	5	13			0	6	4	7	4	2	61	
<b>Total</b>	<b>81</b>		<b>195</b>			<b>27</b>	<b>269</b>	<b>155</b>	<b>70</b>	<b>39</b>	<b>13</b>	<b>1,012</b>	

**Note:**  
 Stolen ends are the ends won without the last stone advantage.  
 Last Stone Efficiency: Scoring two or more points with last stone advantage.  
 Force Efficiency: Forcing the opponent team to score only one point when they have the last stone advantage.

**Legend:**  
**>4** More than four points scored      **Eff.** Efficiency      **LSFE** Last Stone First End





## Summary of Big Ends

Points Scored	By	Against	Session	End	Game Result
6	NOR - Norway	FRA - France	18	5	16 : 4
6	NOR - Norway	NGR - Nigeria	8	1	13 : 2
5	ENG - England	NED - Netherlands	7	7	15 : 3
5	ENG - England	NED - Netherlands	7	2	15 : 3
5	FIN - Finland	EST - Estonia	7	4	19 : 1
5	FIN - Finland	EST - Estonia	7	3	19 : 1
5	GER - Germany	DEN - Denmark	11	7	9 : 4
5	GER - Germany	NZL - New Zealand	7	3	9 : 6
5	SWE - Sweden	NGR - Nigeria	18	6	16 : 0
5	SWE - Sweden	ITA - Italy	8	6	9 : 2
5	CAN - Canada	POR - Portugal	7	6	15 : 2
5	ITA - Italy	NGR - Nigeria	15	2	12 : 1
5	USA - United States	JPN - Japan	3	1	12 : 4
4	CAN - Canada	NED - Netherlands	21	3	14 : 2
4	CAN - Canada	NED - Netherlands	21	2	14 : 2
4	CAN - Canada	IRL - Ireland	17	2	9 : 4
4	CAN - Canada	WAL - Wales	12	5	11 : 2
4	CAN - Canada	WAL - Wales	12	1	11 : 2
4	CAN - Canada	POR - Portugal	7	3	15 : 2
4	ENG - England	BEL - Belgium	18	6	14 : 6
4	ENG - England	BEL - Belgium	18	1	14 : 6
4	ENG - England	WAL - Wales	2	7	12 : 5
4	ENG - England	WAL - Wales	2	2	12 : 5
4	SCO - Scotland	DEN - Denmark	19	3	17 : 1
4	SCO - Scotland	DEN - Denmark	19	2	17 : 1
4	SCO - Scotland	DEN - Denmark	19	1	17 : 1
4	SCO - Scotland	ESP - Spain	5	2	11 : 2
4	USA - United States	EST - Estonia	17	4	14 : 2
4	USA - United States	EST - Estonia	17	1	14 : 2
4	USA - United States	HUN - Hungary	5	5	8 : 4
4	USA - United States	JPN - Japan	3	7	12 : 4
4	CZE - Czechia	PHI - Philippines	8	3	12 : 1
4	CZE - Czechia	PHI - Philippines	8	1	12 : 1
4	CZE - Czechia	SLO - Slovenia	1	1	16 : 1
4	FIN - Finland	JPN - Japan	13	1	8 : 4
4	FIN - Finland	ISR - Israel	10	6	9 : 3
4	FIN - Finland	EST - Estonia	7	1	19 : 1
4	IRL - Ireland	NED - Netherlands	3	6	12 : 7



## Summary of Big Ends

Points Scored	By	Against	Session	End	Game Result
4	IRL - Ireland	NED - Netherlands	3	1	12 : 7
4	IRL - Ireland	POR - Portugal	2	1	5 : 6
4	GER - Germany	ESP - Spain	14	6	12 : 0
4	GER - Germany	NZL - New Zealand	7	6	9 : 6
4	NOR - Norway	FRA - France	18	2	16 : 4
4	NOR - Norway	FRA - France	18	1	16 : 4
4	DEN - Denmark	NZL - New Zealand	14	4	9 : 4
4	HUN - Hungary	JPN - Japan	20	4	8 : 3
4	ISR - Israel	EST - Estonia	2	6	11 : 1
4	KOR - Korea	ESP - Spain	11	4	12 : 1
4	NED - Netherlands	IRL - Ireland	3	4	7 : 12
4	POL - Poland	SLO - Slovenia	8	2	8 : 10
4	SUI - Switzerland	AUS - Australia	8	3	10 : 6
4	SWE - Sweden	LAT - Latvia	6	1	7 : 2

**Note:**  
Big ends are defined as ends with a score of four or more points.



### Session Results and Standings

Sheet	Team	LSD/LSFE	1	2	3	4	5	6	7	8	Extra Ends	Total
G	NED - Netherlands	211.5cm	1	0	0	0	0	1	0	X		2
	CAN - Canada	129.7cm *	0	4	4	1	2	0	3	X		14
H	POL - Poland	111.9cm *	1	0	2	0	1	0	3	X		7
	PHI - Philippines	399.2cm	0	2	0	1	0	1	0	X		4
J	SUI - Switzerland	93.8cm	3	0	0	2	0	3	0	X		8
	SLO - Slovenia	44.1cm *	0	1	1	0	1	0	1	X		4
K	CZE - Czechia	66.7cm *	0	2	2	2	0	2	0	X		8
	AUS - Australia	94.2cm	0	0	0	0	2	0	2	X		4

### Standings after Round Robin

#### Group A

Rank	Team	Games	Wins	Losses	Q	DSC	LSFE
1	CAN - Canada	6	6	0	Q	DSC	55.66cm
2	ENG - England	6	5	1	Q	DSC	104.67cm
3	POR - Portugal	6	3	3		DSC	98.84cm
4	WAL - Wales	6	2	4	w2		
5	IRL - Ireland	6	2	4	w1		
6	NED - Netherlands	6	2	4	w0		
7	BEL - Belgium	6	1	5			

#### Group B

Rank	Team	Games	Wins	Losses	Q	DSC	LSFE
1	FIN - Finland	5	5	0	Q	DSC	36.58cm
2	USA - United States	5	4	1	Q	DSC	33.79cm
3	HUN - Hungary	5	3	2	Q	DSC	52.71cm
4	JPN - Japan	5	2	3			
5	ISR - Israel	5	1	4			
6	EST - Estonia	5	0	5			

#### Group C

Rank	Team	Games	Wins	Losses	Q	DSC	LSFE
1	NOR - Norway	5	4	1	Q	w1	DSC 55.18cm
2	SWE - Sweden	5	4	1	Q	w0	DSC 57.01cm
3	ITA - Italy	5	3	2	w1	DSC	87.12cm
4	LAT - Latvia	5	3	2	w0		
5	FRA - France	5	1	4			
6	NGR - Nigeria	5	0	5			

#### Group D

Rank	Team	Games	Wins	Losses	Q	DSC	LSFE
1	GER - Germany	5	5	0	Q	DSC	73.52cm
2	SCO - Scotland	5	4	1	Q	DSC	49.57cm
3	KOR - Korea	5	3	2		DSC	128.22cm
4	DEN - Denmark	5	2	3			
5	NZL - New Zealand	5	1	4			
6	ESP - Spain	5	0	5			

#### Group E

Rank	Team	Games	Wins	Losses	Q	DSC	LSFE
1	SUI - Switzerland	5	4	1	Q	w1	DSC 41.61cm
2	CZE - Czechia	5	4	1	Q	w0	DSC 68.78cm
3	POL - Poland	5	3	2	Q	DSC	78.70cm
4	AUS - Australia	5	2	3	w1		
5	SLO - Slovenia	5	2	3	w0		
6	PHI - Philippines	5	0	5			

<b>Legend:</b>	<b>DSC</b> Draw Shot Challenge	<b>LSD</b> Last Stone Draw	<b>LSFE(*)</b> Last Stone First End
<b>Q</b> Qualified for the play-offs	<b>wn</b> Number of wins (n) against tied teams	<b>X</b> Unplayed/unfinished end due to concession	



**WSCC 2025**  
Fredericton, NB, Canada

THU 1 MAY 2025  
Start Time 12:00

**World Senior Curling Championships 2025**  
Willie O'Ree Place  
**Men**



**Round Robin Session 21**  
**Group A - Sheet G** **WORLD CURLING**

### Game Results

Sheet	Team	LSFE	1	2	3	4	5	6	7	8	Extra Ends	Total
<b>G</b>	NED - Netherlands		1	0	0	0	0	1	0	X		2
	CAN - Canada	*	0	4	4	1	2	0	3	X		14

NED - Netherlands	
4 S	BOMAS Bob
3 V	MURRAY George
2	VAN WIERINGEN Willem
1	KOORNSTRA Johannes
A	DE JONG Andre

CAN - Canada	
4 S	BRYDEN Randy
3 V	ROBINSON Troy
2	BRYDEN Russ
1	SEMENCHUCK Chris
A	HILL Glen

Last Stone Draw		Distance
↻	KOORNSTRA Johannes	98.6cm
↻	MURRAY George	112.9cm
<b>Total</b>		<b>211.5cm</b>

Last Stone Draw		Distance
↻	ROBINSON Troy	119.2cm
↻	BRYDEN Randy	10.5cm
<b>Total</b>		<b>129.7cm</b>

HILL G replaced ROBINSON T at the beginning of End 5  
Revised line-up: (4 S) BRYDEN R, (3 V) BRYDEN R, (2) HILL G, (1) SEMENCHUCK C

**Note:**  
Position and function for each team member:  
**4** = Fourth, **3** = Third, **2** = Second, **1** = Lead, **A** = Alternate, **S** = Skip, **V** = Vice-Skip

**Legend:**  
↻ Clockwise                                      ↻ Counter-clockwise                                      **LSFE(\*)** Last Stone First End  
**X** Unplayed/unfinished end due to concession





**WSCC 2025**  
Fredericton, NB, Canada

THU 1 MAY 2025  
Start Time 12:00

**World Senior Curling Championships 2025**  
Willie O'Ree Place  
Men



**Round Robin Session 21**  
**Group E - Sheet J**



### Game Results

Sheet	Team	LSFE	1	2	3	4	5	6	7	8	Extra Ends	Total
<b>J</b>	SUI - Switzerland		3	0	0	2	0	3	0	X		8
	SLO - Slovenia	*	0	1	1	0	1	0	1	X		4

SUI - Switzerland	
4 S	WUEEST Dieter
3 V	PIESBERGEN Jens
2	ERB Ernst
1	LUETHI Daniel
A	SYFRIG Marc

SLO - Slovenia	
4 S	KAJIN John
3 V	KOLENKO John
2	KROSEL Tony
1	KONCAN Val
A	ULCAR Stan

Last Stone Draw	Distance
↻ PIESBERGEN Jens	19.5cm
↻ LUETHI Daniel	74.3cm
<b>Total</b>	<b>93.8cm</b>

Last Stone Draw	Distance
↻ KROSEL Tony	13.8cm
↻ KONCAN Val	30.3cm
<b>Total</b>	<b>44.1cm</b>

**Note:**  
Position and function for each team member:  
4 = Fourth, 3 = Third, 2 = Second, 1 = Lead, A = Alternate, S = Skip, V = Vice-Skip

**Legend:**  
↻ Clockwise      ↻ Counter-clockwise      LSFE(\*) Last Stone First End  
X Unplayed/unfinished end due to concession







### Session Results and Standings

Sheet	Team	LSD/LSFE	1	2	3	4	5	6	7	8	Extra Ends	Total
H	FIN - Finland	66.1cm *	1	0	2	3	1	0	X	X		7
	USA - United States	107.2cm	0	0	0	0	0	1	X	X		1
J	BEL - Belgium	267.2cm	2	0	1	0	0	1	0	X		4
	IRL - Ireland	126.7cm *	0	1	0	3	2	0	1	X		7
K	HUN - Hungary	244.7cm	2	0	0	4	1	0	1	X		8
	JPN - Japan	154.2cm *	0	1	1	0	0	1	0	X		3
L	POR - Portugal	182.0cm *	1	0	0	0	0	2	0	1		4
	ENG - England	315.2cm	0	0	2	1	1	0	2	0		6

### Current Standings

#### Group A

Rank	Team	Games	Wins	Losses	
1	CAN - Canada	5	5	0	Q
2	ENG - England	6	5	1	Q
3	POR - Portugal	6	3	3	
4	NED - Netherlands	5	2	3	
5	IRL - Ireland	6	2	4	
5	WAL - Wales	6	2	4	
7	BEL - Belgium	6	1	5	

#### Group B

Rank	Team	Games	Wins	Losses		DSC	
1	FIN - Finland	5	5	0	Q	DSC	36.58cm
2	USA - United States	5	4	1	Q	DSC	33.79cm
3	HUN - Hungary	5	3	2		DSC	52.71cm
4	JPN - Japan	5	2	3			
5	ISR - Israel	5	1	4			
6	EST - Estonia	5	0	5			

#### Group C

Rank	Team	Games	Wins	Losses		DSC	
1	NOR - Norway	5	4	1	Q	w1	DSC 55.18cm
2	SWE - Sweden	5	4	1	Q	w0	DSC 57.01cm
3	ITA - Italy	5	3	2		w1	DSC 87.12cm
4	LAT - Latvia	5	3	2		w0	
5	FRA - France	5	1	4			
6	NGR - Nigeria	5	0	5			

#### Group D

Rank	Team	Games	Wins	Losses		DSC	
1	GER - Germany	5	5	0	Q	DSC	73.52cm
2	SCO - Scotland	5	4	1	Q	DSC	49.57cm
3	KOR - Korea	5	3	2		DSC	128.22cm
4	DEN - Denmark	5	2	3			
5	NZL - New Zealand	5	1	4			
6	ESP - Spain	5	0	5			

#### Group E

Rank	Team	Games	Wins	Losses
1	CZE - Czechia	4	3	1
1	SUI - Switzerland	4	3	1
3	AUS - Australia	4	2	2
3	POL - Poland	4	2	2
3	SLO - Slovenia	4	2	2
6	PHI - Philippines	4	0	4

**Note:**  
Under World Curling rules, tie-breaking rules for standings are not applied until after the last game of the round robin.

**Legend:**  
**DSC** Draw Shot Challenge      **LSD** Last Stone Draw      **LSFE(\*)** Last Stone First End  
**Q** Qualified for the play-offs      **wn** Number of wins (n) against tied teams      **X** Unplayed/unfinished end due to concession





WSSC 2025  
Fredericton, NB, Canada

THU 1 MAY 2025  
Start Time 8:00

World Senior Curling Championships 2025  
Willie O'Ree Place  
Men



Round Robin Session 20  
Group B - Sheet H



### Game Results

Sheet	Team	LSFE	1	2	3	4	5	6	7	8	Extra Ends	Total
H	FIN - Finland	*	1	0	2	3	1	0	X	X		7
	USA - United States		0	0	0	0	0	1	X	X		1

FIN - Finland	
4 S	RANTAMAki Tomi
3 V	POLLANEN Jermu
2	SALO Teemu
1	LEHMUSKOSKI Ville
A	-

USA - United States	
4 S	FARBELOW Mike
3	RUOHONEN Rich
2 V	STOPERA Bill
1	LEHTO Darren
A	-

Last Stone Draw		Distance
⌚	SALO Teemu	23.6cm
⌚	RANTAMAki Tomi	42.5cm
<b>Total</b>		<b>66.1cm</b>

Last Stone Draw		Distance
⌚	RUOHONEN Rich	66.4cm
⌚	FARBELOW Mike	40.8cm
<b>Total</b>		<b>107.2cm</b>

**Note:**  
Position and function for each team member:  
4 = Fourth, 3 = Third, 2 = Second, 1 = Lead, A = Alternate, S = Skip, V = Vice-Skip

**Legend:**  
⌚ Clockwise                                    ⌚ Counter-clockwise                                    **LSFE(\*)** Last Stone First End  
X Unplayed/unfinished end due to concession



**Game Results**

Sheet	Team	LSFE	1	2	3	4	5	6	7	8	Extra Ends	Total
<b>J</b>	BEL - Belgium		2	0	1	0	0	1	0	X		4
	IRL - Ireland	*	0	1	0	3	2	0	1	X		7

BEL - Belgium	
4 S	VAN DIJCK Stefan
3 V	VERBUEKEN Walter
2	PALMANS Bart
1	DE SWERT Jan
A	-

IRL - Ireland	
4 S	GRAY Bill
3 V	WHYTE David
2	FYFE Neil
1	CAMPBELL Tommy
A	-

Last Stone Draw		Distance
↻	VAN DIJCK Stefan	175.8cm
↻	VERBUEKEN Walter	91.4cm
<b>Total</b>		<b>267.2cm</b>

Last Stone Draw		Distance
↻	CAMPBELL Tommy	78.5cm
↻	FYFE Neil	48.2cm
<b>Total</b>		<b>126.7cm</b>

**Note:**  
Position and function for each team member:  
**4** = Fourth, **3** = Third, **2** = Second, **1** = Lead, **A** = Alternate, **S** = Skip, **V** = Vice-Skip

**Legend:**  
↻ Clockwise      ↻ Counter-clockwise      **LSFE(\*)** Last Stone First End  
**X** Unplayed/unfinished end due to concession



### Game Results

Sheet	Team	LSFE	1	2	3	4	5	6	7	8	Extra Ends	Total
K	HUN - Hungary		2	0	0	4	1	0	1	X		8
	JPN - Japan	*	0	1	1	0	0	1	0	X		3

HUN - Hungary	
4 S	NAGY Gyorgy
3	JAKAB Zoltan
2 V	BARTALUS Gabor
1	BARNA Krisztian
A	-

JPN - Japan	
4	NAKAMURA Yoshito
3	DEN Naofumi
2 S	FUNAKI Kazuhito
1 V	SEGAWA Hidenobu
A	SUGAWARA Hirotda

Last Stone Draw	Distance
↻ BARTALUS Gabor	45.1cm
↻ BARNA Krisztian	199.6cm
<b>Total</b>	<b>244.7cm</b>

Last Stone Draw	Distance
↻ NAKAMURA Yoshito	134.2cm
↻ DEN Naofumi	20.0cm
<b>Total</b>	<b>154.2cm</b>

**Note:**  
Position and function for each team member:  
4 = Fourth, 3 = Third, 2 = Second, 1 = Lead, A = Alternate, S = Skip, V = Vice-Skip

**Legend:**  
↻ Clockwise      ↺ Counter-clockwise      **LSFE(\*)** Last Stone First End  
X Unplayed/unfinished end due to concession



**Game Results**

Sheet	Team	LSFE	1	2	3	4	5	6	7	8	Extra Ends	Total
L	POR - Portugal	*	1	0	0	0	0	2	0	1		4
	ENG - England		0	0	2	1	1	0	2	0		6

POR - Portugal	
4 S	SANTOS Vitor
3	RIBAU Jose
2 V	CHAVES Allan
1	PACHECO Joao
A	SMITH Neil

ENG - England	
4 S	HORTON Ken
3 V	McGLYNN Douglas
2	GREGORY Martin
1	BRAND Stuart
A	-

Last Stone Draw		Distance
↻	RIBAU Jose	151.6cm
↻	CHAVES Allan	30.4cm
<b>Total</b>		<b>182.0cm</b>

Last Stone Draw		Distance
↻	BRAND Stuart	199.6cm
↻	GREGORY Martin	115.6cm
<b>Total</b>		<b>315.2cm</b>

**Note:**  
Position and function for each team member:  
4 = Fourth, 3 = Third, 2 = Second, 1 = Lead, A = Alternate, S = Skip, V = Vice-Skip

**Legend:**  
↻ Clockwise      ↻ Counter-clockwise      **LSFE(\*)** Last Stone First End



**Session Results and Standings**

Sheet	Team	LSD/LSFE	1	2	3	4	5	6	7	8	Extra Ends	Total
J	SCO - Scotland	39.8cm *	4	4	4	3	0	2	X	X		17
	DEN - Denmark	162.7cm	0	0	0	0	1	0	X	X		1

**Current Standings**

**Group A**

Rank	Team	Games	Wins	Losses
1	CAN - Canada	5	5	0 Q
2	ENG - England	5	4	1
3	POR - Portugal	5	3	2
4	NED - Netherlands	5	2	3
5	WAL - Wales	6	2	4
6	BEL - Belgium	5	1	4
6	IRL - Ireland	5	1	4

**Group B**

Rank	Team	Games	Wins	Losses
1	FIN - Finland	4	4	0 Q
1	USA - United States	4	4	0 Q
3	HUN - Hungary	4	2	2
3	JPN - Japan	4	2	2
5	ISR - Israel	5	1	4
6	EST - Estonia	5	0	5

**Group C**

Rank	Team	Games	Wins	Losses
1	NOR - Norway	5	4	1 Q
2	SWE - Sweden	5	4	1 Q
3	ITA - Italy	5	3	2
4	LAT - Latvia	5	3	2
5	FRA - France	5	1	4
6	NGR - Nigeria	5	0	5

**Group D**

Rank	Team	Games	Wins	Losses
1	GER - Germany	5	5	0 Q
2	SCO - Scotland	5	4	1 Q
3	KOR - Korea	5	3	2
4	DEN - Denmark	5	2	3
5	NZL - New Zealand	5	1	4
6	ESP - Spain	5	0	5

**Group E**

Rank	Team	Games	Wins	Losses
1	CZE - Czechia	4	3	1
1	SUI - Switzerland	4	3	1
3	AUS - Australia	4	2	2
3	POL - Poland	4	2	2
3	SLO - Slovenia	4	2	2
6	PHI - Philippines	4	0	4

**Note:**  
Under World Curling rules, tie-breaking rules for standings are not applied until after the last game of the round robin.

**Legend:**  
**DSC** Draw Shot Challenge                      **LSD** Last Stone Draw                      **LSFE(\*)** Last Stone First End  
**Q** Qualified for the play-offs                      **wn** Number of wins (n) against tied teams                      **X** Unplayed/unfinished end due to concession





**Game Results**

Sheet	Team	LSFE	1	2	3	4	5	6	7	8	Extra Ends	Total
J	SCO - Scotland	*	4	4	4	3	0	2	X	X		17
	DEN - Denmark		0	0	0	0	1	0	X	X		1

SCO - Scotland	
4 S	BREWSTER Tom
3 V	HARE Frazer
2	STEVENSON Robbie
1	FRAME Don
A	-

DEN - Denmark	
4 S	TIDMAND Soeren
3	LORENTZEN Jens Groth
2	MUELLER Lars
1 V	LEGAARD Bo
A	-

Last Stone Draw	Distance
↻ HARE Frazer	8.7cm
↻ FRAME Don	31.1cm
<b>Total</b>	<b>39.8cm</b>

Last Stone Draw	Distance
↻ TIDMAND Soeren	106.2cm
↻ MUELLER Lars	56.5cm
<b>Total</b>	<b>162.7cm</b>

**Note:**  
Position and function for each team member:  
**4** = Fourth, **3** = Third, **2** = Second, **1** = Lead, **A** = Alternate, **S** = Skip, **V** = Vice-Skip

**Legend:**  
↻ Clockwise    ↻ Counter-clockwise    LSFE(\*) Last Stone First End  
X Unplayed/unfinished end due to concession



### Session Results and Standings

Sheet	Team	LSD/LSFE	1	2	3	4	5	6	7	8	Extra Ends	Total
G	BEL - Belgium	304.6cm	0	2	1	0	3	0	0	X		6
	ENG - England	277.0cm *	4	0	0	3	0	4	3	X		14
H	LAT - Latvia	121.9cm *	0	0	2	0	3	1	0	0		6
	ITA - Italy	122.4cm	2	1	0	1	0	0	2	1		7
J	SWE - Sweden	199.0cm	2	3	2	1	2	5	1	X		16
	NGR - Nigeria	157.7cm *	0	0	0	0	0	0	0	X		0
K	NED - Netherlands	210.6cm	0	0	0	2	2	1	1	0	0	6
	WAL - Wales	129.0cm *	1	1	3	0	0	0	0	1	1	7
L	NOR - Norway	101.7cm *	4	4	0	0	6	0	2	X		16
	FRA - France	247.8cm	0	0	1	1	0	2	0	X		4

### Current Standings

Group A					Group B				
Rank	Team	Games	Wins	Losses	Rank	Team	Games	Wins	Losses
1	CAN - Canada	5	5	0 Q	1	FIN - Finland	4	4	0 Q
2	ENG - England	5	4	1	1	USA - United States	4	4	0 Q
3	POR - Portugal	5	3	2	3	HUN - Hungary	4	2	2
4	NED - Netherlands	5	2	3	3	JPN - Japan	4	2	2
5	WAL - Wales	6	2	4	5	ISR - Israel	5	1	4
6	BEL - Belgium	5	1	4	6	EST - Estonia	5	0	5
6	IRL - Ireland	5	1	4					
Group C					Group D				
Rank	Team	Games	Wins	Losses	Rank	Team	Games	Wins	Losses
1	NOR - Norway	5	4	1 Q	1	GER - Germany	5	5	0 Q
2	SWE - Sweden	5	4	1 Q	2	SCO - Scotland	4	3	1
3	ITA - Italy	5	3	2	3	KOR - Korea	5	3	2
4	LAT - Latvia	5	3	2	4	DEN - Denmark	4	2	2
5	FRA - France	5	1	4	5	NZL - New Zealand	5	1	4
6	NGR - Nigeria	5	0	5	6	ESP - Spain	5	0	5
Group E									
Rank	Team	Games	Wins	Losses					
1	CZE - Czechia	4	3	1					
1	SUI - Switzerland	4	3	1					
3	AUS - Australia	4	2	2					
3	POL - Poland	4	2	2					
3	SLO - Slovenia	4	2	2					
6	PHI - Philippines	4	0	4					

**Note:**  
Under World Curling rules, tie-breaking rules for standings are not applied until after the last game of the round robin.

**Legend:**  
**DSC** Draw Shot Challenge      **LSD** Last Stone Draw      **LSFE(\*)** Last Stone First End  
**Q** Qualified for the play-offs      **wn** Number of wins (n) against tied teams      **X** Unplayed/unfinished end due to concession









WED 30 APR 2025  
Start Time 16:00

Round Robin Session 18  
Group C - Sheet H



**Game Results**

Sheet	Team	LSFE	1	2	3	4	5	6	7	8	Extra Ends	Total
H	LAT - Latvia	*	0	0	2	0	3	1	0	0		6
	ITA - Italy		2	1	0	1	0	0	2	1		7

LAT - Latvia	
4 S	REGZA Ansis
3 V	REDLIHS Janis
2	LINUZS Edgars
1	LACIS Aivars
A	-

ITA - Italy	
4 S	MENARDI Antonio
3 V	BOMBASSEI Valter
2	CONSTANTINI Marco
1	REGIS Adriano
A	-

Last Stone Draw		Distance
↻	LINUZS Edgars	60.7cm
↻	REGZA Ansis	61.2cm
<b>Total</b>		<b>121.9cm</b>

Last Stone Draw		Distance
↻	CONSTANTINI Marco	22.5cm
↻	BOMBASSEI Valter	99.9cm
<b>Total</b>		<b>122.4cm</b>

**Note:**  
Position and function for each team member:  
**4** = Fourth, **3** = Third, **2** = Second, **1** = Lead, **A** = Alternate, **S** = Skip, **V** = Vice-Skip

**Legend:**  
↻ Clockwise                      ↻ Counter-clockwise                      **LSFE(\*)** Last Stone First End



**WSSC 2025**  
Fredericton, NB, Canada

WED 30 APR 2025  
Start Time 16:00

**World Senior Curling Championships 2025**

Willie O'Ree Place

**Men**



**Round Robin Session 18**  
**Group C - Sheet J**

**WORLD CURLING**

**Game Results**

Sheet	Team	LSFE	1	2	3	4	5	6	7	8	Extra Ends	Total
<b>J</b>	SWE - Sweden		2	3	2	1	2	5	1	X		16
	NGR - Nigeria	*	0	0	0	0	0	0	0	X		0

<b>SWE - Sweden</b>	
4 S	ERIKSSON Dan-Ola
3	HALLSTROEM Fredrik
2	OLIN Tommy
1 V	HALLSTROEM Rickard
A	CARLSEN Per

<b>NGR - Nigeria</b>	
4 S	COLE T. J.
3 V	JOHNSON Chad
2	NEIMETH Charles
1	BRIANNE Robert
A	DANIEL Damola

<b>Last Stone Draw</b>		Distance
↻	ERIKSSON Dan-Ola	159.1cm
↻	OLIN Tommy	39.9cm
<b>Total</b>		<b>199.0cm</b>

<b>Last Stone Draw</b>		Distance
↻	JOHNSON Chad	102.9cm
↻	COLE T. J.	54.8cm
<b>Total</b>		<b>157.7cm</b>

CARLSEN P replaced OLIN T at the beginning of End 5

**Note:**  
Position and function for each team member:  
4 = Fourth, 3 = Third, 2 = Second, 1 = Lead, A = Alternate, S = Skip, V = Vice-Skip

**Legend:**  
↻ Clockwise    ↻ Counter-clockwise    **LSFE(\*)** Last Stone First End  
X Unplayed/unfinished end due to concession



WED 30 APR 2025  
Start Time 16:00

**Round Robin Session 18**  
**Group A - Sheet K**

**WORLD**  
**CURLING**

### Game Results

Sheet	Team	LSFE	1	2	3	4	5	6	7	8	Extra Ends	Total
K	NED - Netherlands		0	0	0	2	2	1	1	0	0	6
	WAL - Wales	*	1	1	3	0	0	0	0	1	1	7

NED - Netherlands	
4 S	BOMAS Bob
3 V	MURRAY George
2	VAN WIERINGEN Willem
1	KOORNSTRA Johannes
A	DE JONG Andre

WAL - Wales	
4 S	TANNER Andrew
3 V	POUGHER Richard
2	REID Alistair
1	FYFFE George
A	-

Last Stone Draw		Distance
↻	VAN WIERINGEN Willem	102.8cm
↻	BOMAS Bob	107.8cm
<b>Total</b>		<b>210.6cm</b>

Last Stone Draw		Distance
↻	POUGHER Richard	31.0cm
↻	FYFFE George	98.0cm
<b>Total</b>		<b>129.0cm</b>

**Note:**  
Position and function for each team member:  
**4** = Fourth, **3** = Third, **2** = Second, **1** = Lead, **A** = Alternate, **S** = Skip, **V** = Vice-Skip

**Legend:**  
↻ Clockwise      ↻ Counter-clockwise      **LSFE(\*)** Last Stone First End



**Game Results**

Sheet	Team	LSFE	1	2	3	4	5	6	7	8	Extra Ends	Total
L	NOR - Norway	*	4	4	0	0	6	0	2	X		16
	FRA - France		0	0	1	1	0	2	0	X		4

NOR - Norway	
4 S	UGLAND Even
3 V	SAGEN Rolf
2	SANDEAKER Karsten
1	KARTERUD Jon Sverre
A	RICHARDSEN Paul

FRA - France	
4 S	ADAM Pascal
3	CHAUVEAU Mathieu
2	WALTER Christophe
1 V	THERIAS Philippe
A	-

Last Stone Draw		Distance
↻	SAGEN Rolf	24.1cm
↻	KARTERUD Jon Sverre	77.6cm
<b>Total</b>		<b>101.7cm</b>

Last Stone Draw		Distance
↻	THERIAS Philippe	62.1cm
↻	ADAM Pascal	185.7cm
<b>Total</b>		<b>247.8cm</b>

RICHARDSEN P replaced SANDEAKER K at the beginning of End 6

**Note:**  
Position and function for each team member:  
4 = Fourth, 3 = Third, 2 = Second, 1 = Lead, A = Alternate, S = Skip, V = Vice-Skip

**Legend:**  
↻ Clockwise                                  ↻ Counter-clockwise                                  **LSFE(\*)** Last Stone First End  
X Unplayed/unfinished end due to concession



### Session Results and Standings

Sheet	Team	LSD/LSFE	1	2	3	4	5	6	7	8	Extra Ends	Total
<b>G</b>	KOR - Korea	282.4cm	0	0	0	0	1	0	2	X		3
	GER - Germany	187.2cm *	1	0	3	2	0	1	0	X		7
<b>H</b>	HUN - Hungary	246.2cm	0	1	0	1	2	1	0	1		6
	ISR - Israel	115.7cm *	2	0	2	0	0	0	1	0		5
<b>K</b>	IRL - Ireland	193.1cm	1	0	1	0	1	0	1	X		4
	CAN - Canada	55.4cm *	0	4	0	2	0	3	0	X		9
<b>L</b>	EST - Estonia	170.8cm	0	1	0	0	0	1	X	X		2
	USA - United States	16.3cm *	4	0	3	4	3	0	X	X		14

### Current Standings

Group A					Group B				
Rank	Team	Games	Wins	Losses	Rank	Team	Games	Wins	Losses
1	CAN - Canada	5	5	0 Q	1	FIN - Finland	4	4	0 Q
2	ENG - England	4	3	1	1	USA - United States	4	4	0 Q
3	POR - Portugal	5	3	2	3	HUN - Hungary	4	2	2
4	NED - Netherlands	4	2	2	3	JPN - Japan	4	2	2
5	BEL - Belgium	4	1	3	5	ISR - Israel	5	1	4
6	IRL - Ireland	5	1	4	6	EST - Estonia	5	0	5
6	WAL - Wales	5	1	4					
Group C					Group D				
Rank	Team	Games	Wins	Losses	Rank	Team	Games	Wins	Losses
1	LAT - Latvia	4	3	1	1	GER - Germany	5	5	0 Q
1	NOR - Norway	4	3	1	2	SCO - Scotland	4	3	1
1	SWE - Sweden	4	3	1	3	KOR - Korea	5	3	2
4	ITA - Italy	4	2	2	4	DEN - Denmark	4	2	2
5	FRA - France	4	1	3	5	NZL - New Zealand	5	1	4
6	NGR - Nigeria	4	0	4	6	ESP - Spain	5	0	5
Group E									
Rank	Team	Games	Wins	Losses					
1	CZE - Czechia	4	3	1					
1	SUI - Switzerland	4	3	1					
3	AUS - Australia	4	2	2					
3	POL - Poland	4	2	2					
3	SLO - Slovenia	4	2	2					
6	PHI - Philippines	4	0	4					

**Note:**  
Under World Curling rules, tie-breaking rules for standings are not applied until after the last game of the round robin.

**Legend:**  
**LSD** Last Stone Draw                                      **LSFE(\*)** Last Stone First End                                      **Q** Qualified for the play-offs  
**X** Unplayed/unfinished end due to concession







**Game Results**

Sheet	Team	LSFE	1	2	3	4	5	6	7	8	Extra Ends	Total
H	HUN - Hungary		0	1	0	1	2	1	0	1		6
	ISR - Israel	*	2	0	2	0	0	0	1	0		5

HUN - Hungary	
4 S	NAGY Gyorgy
3	JAKAB Zoltan
2 V	BARTALUS Gabor
1	BARNA Krisztian
A	-

ISR - Israel	
4 S	GOLBERG Kevin
3 V	POKRAS Alex
2	HOROWITZ Aaron
1	KEMPENICH Henrique
A	-

Last Stone Draw		Distance
↻	BARNA Krisztian	199.6cm
↻	BARTALUS Gabor	46.6cm
<b>Total</b>		<b>246.2cm</b>

Last Stone Draw		Distance
↻	POKRAS Alex	23.1cm
↻	GOLBERG Kevin	92.6cm
<b>Total</b>		<b>115.7cm</b>

**Note:**  
Position and function for each team member:  
4 = Fourth, 3 = Third, 2 = Second, 1 = Lead, A = Alternate, S = Skip, V = Vice-Skip

**Legend:**  
↻ Clockwise                      ↻ Counter-clockwise                      **LSFE(\*)** Last Stone First End







### Game Results

Sheet	Team	LSFE	1	2	3	4	5	6	7	8	Extra Ends	Total
L	EST - Estonia		0	1	0	0	0	1	X	X		2
	USA - United States	*	4	0	3	4	3	0	X	X		14

EST - Estonia	
4 V	TUBALKAIN Margus
3 S	VOOREMAA Valvo
2	TURMANN Tonis
1	REINOLA Hannes
A	-

USA - United States	
4 S	FARBELOW Mike
3	RUOHONEN Rich
2 V	STOPERA Bill
1	LEHTO Darren
A	-

Last Stone Draw		Distance
↻	TURMANN Tonis	114.9cm
↻	TUBALKAIN Margus	55.9cm
<b>Total</b>		<b>170.8cm</b>

Last Stone Draw		Distance
↻	STOPERA Bill	8.8cm
↻	RUOHONEN Rich	7.5cm
<b>Total</b>		<b>16.3cm</b>

**Note:**  
Position and function for each team member:  
4 = Fourth, 3 = Third, 2 = Second, 1 = Lead, A = Alternate, S = Skip, V = Vice-Skip

**Legend:**  
↻ Clockwise                      ↻ Counter-clockwise                      **LSFE(\*)** Last Stone First End  
X Unplayed/unfinished end due to concession





**WSSC 2025**  
Fredericton, NB, Canada

WED 30 APR 2025  
Start Time 8:00

**World Senior Curling Championships 2025**  
Willie O'Ree Place  
**Men**



**Round Robin Session 16**  
**Group A - Sheet F** **WORLD CURLING**

### Game Results

Sheet	Team	LSFE	1	2	3	4	5	6	7	8	Extra Ends	Total
F	BEL - Belgium	*	0	0	3	0	0	0	0	X		3
	NED - Netherlands		1	1	0	2	1	1	2	X		8

BEL - Belgium	
4 S	VAN DIJCK Stefan
3 V	VERBUEKEN Walter
2	PALMANS Bart
1	DE SWERT Jan
A	-

NED - Netherlands	
4 S	BOMAS Bob
3 V	MURRAY George
2	VAN WIERINGEN Willem
1	KOORNSTRA Johannes
A	DE JONG Andre

Last Stone Draw		Distance
🕒	VAN DIJCK Stefan	199.6cm
🕒	VERBUEKEN Walter	113.6cm
<b>Total</b>		<b>313.2cm</b>

Last Stone Draw		Distance
🕒	MURRAY George	118.6cm
🕒	VAN WIERINGEN Willem	199.6cm
<b>Total</b>		<b>318.2cm</b>

**Note:**  
Position and function for each team member:  
**4** = Fourth, **3** = Third, **2** = Second, **1** = Lead, **A** = Alternate, **S** = Skip, **V** = Vice-Skip

**Legend:**  
🕒 Clockwise      🕒 Counter-clockwise      **LSFE(\*)** Last Stone First End  
**X** Unplayed/unfinished end due to concession



**Game Results**

Sheet	Team	LSFE	1	2	3	4	5	6	7	8	Extra Ends	Total
H	NZL - New Zealand	*	2	1	1	0	1	0	0	1		6
	ESP - Spain		0	0	0	1	0	1	3	0		5

NZL - New Zealand	
4 S	WATT Dave
3 V	CRAIG Iain
2	DEPAPE Lorne
1	FOTTI Dean
A	TELFER Tom

ESP - Spain	
4	TORRALBA ANAYA David
3 V	SANDONIS BENITO Paco
2	DE PAZ GUTIEZ Eduardo
1 S	GARCIA MAYOR Angel
A	CARASA CRUZ Jose

Last Stone Draw		Distance
↻	FOTTI Dean	63.5cm
↻	WATT Dave	161.8cm
<b>Total</b>		<b>225.3cm</b>

Last Stone Draw		Distance
↻	DE PAZ GUTIEZ Eduardo	103.4cm
↻	TORRALBA ANAYA David	182.8cm
<b>Total</b>		<b>286.2cm</b>

TELFER T replaced FOTTI D at the beginning of End 5

**Note:**  
Position and function for each team member:  
4 = Fourth, 3 = Third, 2 = Second, 1 = Lead, A = Alternate, S = Skip, V = Vice-Skip

**Legend:**  
↻ Clockwise      ↻ Counter-clockwise      **LSFE(\*)** Last Stone First End



## Session Results and Standings

Sheet	Team	LSD/LSFE	1	2	3	4	5	6	7	8	Extra Ends	Total
G	NGR - Nigeria	307.9cm	0	0	0	0	0	1	X	X		1
	ITA - Italy	125.6cm *	1	5	3	2	1	0	X	X		12
J	NOR - Norway	83.7cm *	1	0	0	0	1	0	0	1		3
	LAT - Latvia	297.6cm	0	1	1	1	0	0	2	0		5
K	SWE - Sweden	37.5cm *	2	0	2	3	1	0	1	X		9
	FRA - France	247.9cm	0	1	0	0	0	1	0	X		2

## Current Standings

Group A					Group B				
Rank	Team	Games	Wins	Losses	Rank	Team	Games	Wins	Losses
1	CAN - Canada	4	4	0	1	FIN - Finland	4	4	0 Q
2	ENG - England	4	3	1	2	USA - United States	3	3	0
3	POR - Portugal	5	3	2	3	JPN - Japan	4	2	2
4	BEL - Belgium	3	1	2	4	HUN - Hungary	3	1	2
4	NED - Netherlands	3	1	2	5	ISR - Israel	4	1	3
6	IRL - Ireland	4	1	3	6	EST - Estonia	4	0	4
7	WAL - Wales	5	1	4					
Group C					Group D				
Rank	Team	Games	Wins	Losses	Rank	Team	Games	Wins	Losses
1	LAT - Latvia	4	3	1	1	GER - Germany	4	4	0
1	NOR - Norway	4	3	1	2	KOR - Korea	4	3	1
1	SWE - Sweden	4	3	1	2	SCO - Scotland	4	3	1
4	ITA - Italy	4	2	2	4	DEN - Denmark	4	2	2
5	FRA - France	4	1	3	5	ESP - Spain	4	0	4
6	NGR - Nigeria	4	0	4	5	NZL - New Zealand	4	0	4
Group E									
Rank	Team	Games	Wins	Losses					
1	CZE - Czechia	4	3	1					
1	SUI - Switzerland	4	3	1					
3	AUS - Australia	4	2	2					
3	POL - Poland	4	2	2					
3	SLO - Slovenia	4	2	2					
6	PHI - Philippines	4	0	4					

**Note:**  
Under World Curling rules, tie-breaking rules for standings are not applied until after the last game of the round robin.

**Legend:**  
**LSD** Last Stone Draw                      **LSFE(\*)** Last Stone First End                      **Q** Qualified for the play-offs  
**X** Unplayed/unfinished end due to concession



**Game Results**

Sheet	Team	LSFE	1	2	3	4	5	6	7	8	Extra Ends	Total
G	NGR - Nigeria		0	0	0	0	0	1	X	X		1
	ITA - Italy	*	1	5	3	2	1	0	X	X		12

NGR - Nigeria	
4 S	COLE T. J.
3 V	JOHNSON Chad
2	NEIMETH Charles
1	BRIANNE Robert
A	DANIEL Damola

ITA - Italy	
4 S	MENARDI Antonio
3 V	BOMBASSEI Valter
2	CONSTANTINI Marco
1	REGIS Adriano
A	-

Last Stone Draw		Distance
↻	NEIMETH Charles	199.6cm
↻	BRIANNE Robert	108.3cm
<b>Total</b>		<b>307.9cm</b>

Last Stone Draw		Distance
↻	MENARDI Antonio	75.5cm
↻	REGIS Adriano	50.1cm
<b>Total</b>		<b>125.6cm</b>

**Note:**  
Position and function for each team member:  
4 = Fourth, 3 = Third, 2 = Second, 1 = Lead, A = Alternate, S = Skip, V = Vice-Skip

**Legend:**  
↻ Clockwise                                  ↻ Counter-clockwise                                  **LSFE(\*)** Last Stone First End  
X Unplayed/unfinished end due to concession



### Game Results

Sheet	Team	LSFE	1	2	3	4	5	6	7	8	Extra Ends	Total
J	NOR - Norway	*	1	0	0	0	1	0	0	1		3
	LAT - Latvia		0	1	1	1	0	0	2	0		5

NOR - Norway	
4 S	UGLAND Even
3 V	SAGEN Rolf
2	SANDAAKER Karsten
1	KARTERUD Jon Sverre
A	RICHARDSEN Paul

LAT - Latvia	
4 S	REGZA Ansis
3 V	REDLIHS Janis
2	LINUZS Edgars
1	LACIS Aivars
A	-

Last Stone Draw		Distance
↻	SAGEN Rolf	67.9cm
↻	UGLAND Even	15.8cm
<b>Total</b>		<b>83.7cm</b>

Last Stone Draw		Distance
↻	REDLIHS Janis	199.6cm
↻	LACIS Aivars	98.0cm
<b>Total</b>		<b>297.6cm</b>

**Note:**  
Position and function for each team member:  
**4** = Fourth, **3** = Third, **2** = Second, **1** = Lead, **A** = Alternate, **S** = Skip, **V** = Vice-Skip

**Legend:**  
↻ Clockwise      ↻ Counter-clockwise      **LSFE(\*)** Last Stone First End



**WSSCC 2025**  
Fredericton, NB, Canada

TUE 29 APR 2025  
Start Time 20:00

**World Senior Curling Championships 2025**  
Willie O'Ree Place  
Men



**Round Robin Session 15**  
Group C - Sheet K

### Game Results

Sheet	Team	LSFE	1	2	3	4	5	6	7	8	Extra Ends	Total
K	SWE - Sweden	*	2	0	2	3	1	0	1	X		9
	FRA - France		0	1	0	0	0	1	0	X		2

SWE - Sweden	
4 S	ERIKSSON Dan-Ola
3	HALLSTROEM Fredrik
2	OLIN Tommy
1 V	HALLSTROEM Rickard
A	CARLSEN Per

FRA - France	
4	ADAM Pascal
3	CHAUVEAU Mathieu
2 V	WALTER Christophe
1 S	THERIAS Philippe
A	-

Last Stone Draw		Distance
	OLIN Tommy	7.8cm
	HALLSTROEM Rickard	29.7cm
<b>Total</b>		<b>37.5cm</b>

Last Stone Draw		Distance
	WALTER Christophe	199.6cm
	THERIAS Philippe	48.3cm
<b>Total</b>		<b>247.9cm</b>

**Note:**  
Position and function for each team member:  
4 = Fourth, 3 = Third, 2 = Second, 1 = Lead, A = Alternate, S = Skip, V = Vice-Skip

**Legend:**  
 Clockwise      Counter-clockwise      **LSFE(\*)** Last Stone First End  
**X** Unplayed/unfinished end due to concession





**Session Results and Standings**

Sheet	Team	LSD/LSFE	1	2	3	4	5	6	7	8	Extra	Ends	Total
F	SLO - Slovenia	239.9cm	1	0	0	1	0	1	0	0			3
	AUS - Australia	205.7cm *	0	1	1	0	0	0	1	1			4
G	NZL - New Zealand	323.1cm	0	1	1	0	0	2	0	X			4
	DEN - Denmark	248.9cm *	2	0	0	4	1	0	2	X			9
H	WAL - Wales	266.6cm *	1	0	0	0	1	0	1	X			3
	POR - Portugal	284.2cm	0	1	2	2	0	2	0	X			7
J	GER - Germany	148.1cm	1	2	1	3	1	4	X	X			12
	ESP - Spain	100.5cm *	0	0	0	0	0	0	X	X			0
K	PHI - Philippines	250.2cm	0	1	0	1	0	0	X	X			2
	SUI - Switzerland	207.2cm *	2	0	2	0	3	3	X	X			10
L	CZE - Czechia	205.2cm	1	0	3	3	2	0	X	X			9
	POL - Poland	110.3cm *	0	2	0	0	0	1	X	X			3

**Current Standings**

Group A					Group B				
Rank	Team	Games	Wins	Losses	Rank	Team	Games	Wins	Losses
1	CAN - Canada	4	4	0	1	FIN - Finland	4	4	0 Q
2	ENG - England	4	3	1	2	USA - United States	3	3	0
3	POR - Portugal	5	3	2	3	JPN - Japan	4	2	2
4	BEL - Belgium	3	1	2	4	HUN - Hungary	3	1	2
4	NED - Netherlands	3	1	2	5	ISR - Israel	4	1	3
6	IRL - Ireland	4	1	3	6	EST - Estonia	4	0	4
7	WAL - Wales	5	1	4					
Group C					Group D				
Rank	Team	Games	Wins	Losses	Rank	Team	Games	Wins	Losses
1	NOR - Norway	3	3	0	1	GER - Germany	4	4	0
2	LAT - Latvia	3	2	1	2	KOR - Korea	4	3	1
2	SWE - Sweden	3	2	1	2	SCO - Scotland	4	3	1
4	FRA - France	3	1	2	4	DEN - Denmark	4	2	2
4	ITA - Italy	3	1	2	5	ESP - Spain	4	0	4
6	NGR - Nigeria	3	0	3	5	NZL - New Zealand	4	0	4
Group E									
Rank	Team	Games	Wins	Losses					
1	CZE - Czechia	4	3	1					
1	SUI - Switzerland	4	3	1					
3	AUS - Australia	4	2	2					
3	POL - Poland	4	2	2					
3	SLO - Slovenia	4	2	2					
6	PHI - Philippines	4	0	4					

**Note:**  
Under World Curling rules, tie-breaking rules for standings are not applied until after the last game of the round robin.

**Legend:**  
**LSD** Last Stone Draw                      **LSFE(\*)** Last Stone First End                      **Q** Qualified for the play-offs  
**X** Unplayed/unfinished end due to concession



**Game Results**

Sheet	Team	LSFE	1	2	3	4	5	6	7	8	Extra Ends	Total
F	SLO - Slovenia		1	0	0	1	0	1	0	0		3
	AUS - Australia	*	0	1	1	0	0	0	1	1		4

SLO - Slovenia	
4 S	KAJIN John
3 V	KOLENKO John
2	KROSEL Tony
1	KONCAN Val
A	ULCAR Stan

AUS - Australia	
4 S	LORRAIN-SMITH Hamish
3 V	BOYD James
2	DAVIS Geoff
1	IMLAH David
A	MACDONALD Brian

Last Stone Draw		Distance
↻	KOLENKO John	199.6cm
↻	KAJIN John	40.3cm
<b>Total</b>		<b>239.9cm</b>

Last Stone Draw		Distance
↻	IMLAH David	6.1cm
↻	DAVIS Geoff	199.6cm
<b>Total</b>		<b>205.7cm</b>

**Note:**  
Position and function for each team member:  
4 = Fourth, 3 = Third, 2 = Second, 1 = Lead, A = Alternate, S = Skip, V = Vice-Skip

**Legend:**  
↻ Clockwise      ↻ Counter-clockwise      **LSFE(\*)** Last Stone First End



### Game Results

Sheet	Team	LSFE	1	2	3	4	5	6	7	8	Extra Ends	Total
G	NZL - New Zealand		0	1	1	0	0	2	0	X		4
	DEN - Denmark	*	2	0	0	4	1	0	2	X		9

NZL - New Zealand	
4 S	WATT Dave
3 V	CRAIG Iain
2	DEPAPE Lorne
1	TELFER Tom
A	FOTTI Dean

DEN - Denmark	
4 S	TIDMAND Soeren
3	LORENTZEN Jens Groth
2	MUELLER Lars
1 V	LEGAARD Bo
A	-

Last Stone Draw	Distance
↻ DEPAPE Lorne	161.9cm
↻ TELFER Tom	161.2cm
<b>Total</b>	<b>323.1cm</b>

Last Stone Draw	Distance
↻ LORENTZEN Jens Groth	49.3cm
↻ TIDMAND Soeren	199.6cm
<b>Total</b>	<b>248.9cm</b>

**Note:**  
Position and function for each team member:  
4 = Fourth, 3 = Third, 2 = Second, 1 = Lead, A = Alternate, S = Skip, V = Vice-Skip

**Legend:**  
↻ Clockwise                      ↻ Counter-clockwise                      **LSFE(\*)** Last Stone First End  
X Unplayed/unfinished end due to concession



### Game Results

Sheet	Team	LSFE	1	2	3	4	5	6	7	8	Extra Ends	Total
H	WAL - Wales	*	1	0	0	0	1	0	1	X		3
	POR - Portugal		0	1	2	2	0	2	0	X		7

WAL - Wales	
4 S	TANNER Andrew
3 V	POUGHER Richard
2	REID Alistair
1	FYFFE George
A	-

POR - Portugal	
4 S	SANTOS Vitor
3	RIBAU Jose
2 V	CHAVES Allan
1	SMITH Neil
A	PACHECO Joao

Last Stone Draw		Distance
↻	REID Alistair	67.0cm
↻	TANNER Andrew	199.6cm
<b>Total</b>		<b>266.6cm</b>

Last Stone Draw		Distance
↻	RIBAU Jose	160.0cm
↻	SMITH Neil	124.2cm
<b>Total</b>		<b>284.2cm</b>

**Note:**  
Position and function for each team member:  
4 = Fourth, 3 = Third, 2 = Second, 1 = Lead, A = Alternate, S = Skip, V = Vice-Skip

**Legend:**  
↻ Clockwise                      ↻ Counter-clockwise                      LSFE(\*) Last Stone First End  
X Unplayed/unfinished end due to concession



### Game Results

Sheet	Team	LSFE	1	2	3	4	5	6	7	8	Extra Ends	Total
J	GER - Germany		1	2	1	3	1	4	X	X		12
	ESP - Spain	*	0	0	0	0	0	0	X	X		0

GER - Germany	
4 S	KAPP Andy
3 V	AXNICK Oliver
2	HOEHNE Holger
1	MESSENZEHL Markus
A	KEMPF Andreas

ESP - Spain	
4	TORRALBA ANAYA David
3 S	CARASA CRUZ Jose
2 V	SANDONIS BENITO Paco
1	DE PAZ GUTIEZ Eduardo
A	GARCIA MAYOR Angel

Last Stone Draw		Distance
↻	AXNICK Oliver	114.9cm
↻	HOEHNE Holger	33.2cm
<b>Total</b>		<b>148.1cm</b>

Last Stone Draw		Distance
↻	SANDONIS BENITO Paco	48.6cm
↻	CARASA CRUZ Jose	51.9cm
<b>Total</b>		<b>100.5cm</b>

**Note:**  
Position and function for each team member:  
4 = Fourth, 3 = Third, 2 = Second, 1 = Lead, A = Alternate, S = Skip, V = Vice-Skip

**Legend:**  
↻ Clockwise      ↻ Counter-clockwise      **LSFE(\*)** Last Stone First End  
X Unplayed/unfinished end due to concession



### Game Results

Sheet	Team	LSFE	1	2	3	4	5	6	7	8	Extra Ends	Total
K	PHI - Philippines		0	1	0	1	0	0	X	X		2
	SUI - Switzerland	*	2	0	2	0	3	3	X	X		10

PHI - Philippines	
4 S	OCHOCO Jonathan
3 V	GARBES Peter
1	ONGLINGSWAN Alastair
A	GARBES Jason
A	-

SUI - Switzerland	
4 S	WUEEST Dieter
3 V	PIESBERGEN Jens
2	ERB Ernst
1	LUETHI Daniel
A	SYFRIG Marc

Last Stone Draw	Distance
🕒 OCHOCO Jonathan	199.6cm
🕒 GARBES Peter	50.6cm
<b>Total</b>	<b>250.2cm</b>

Last Stone Draw	Distance
🕒 PIESBERGEN Jens	68.1cm
🕒 LUETHI Daniel	139.1cm
<b>Total</b>	<b>207.2cm</b>

PHI playing with only three players - Lead and Third play three stones each.

**Note:**  
Position and function for each team member:  
4 = Fourth, 3 = Third, 2 = Second, 1 = Lead, A = Alternate, S = Skip, V = Vice-Skip

**Legend:**  
🕒 Clockwise      🕒 Counter-clockwise      **LSFE(\*)** Last Stone First End  
**X** Unplayed/unfinished end due to concession



### Game Results

Sheet	Team	LSFE	1	2	3	4	5	6	7	8	Extra Ends	Total
L	CZE - Czechia		1	0	3	3	2	0	X	X		9
	POL - Poland	*	0	2	0	0	0	1	X	X		3

CZE - Czechia	
4 S	SIK David
3 V	BROZEK Marek
2	MENSIK Pavel
1	CHOBOT Jiri
A	-

POL - Poland	
4 S	HERMAN Damian
3	KLOS Pawel
2	PIOTROWICZ Pawel
1 V	NOWAK Krzysztof
A	TOMICA Janusz

Last Stone Draw		Distance
↻	MENSIK Pavel	167.1cm
↻	BROZEK Marek	38.1cm
<b>Total</b>		<b>205.2cm</b>

Last Stone Draw		Distance
↻	NOWAK Krzysztof	101.6cm
↻	PIOTROWICZ Pawel	8.7cm
<b>Total</b>		<b>110.3cm</b>

**Note:**  
Position and function for each team member:  
4 = Fourth, 3 = Third, 2 = Second, 1 = Lead, A = Alternate, S = Skip, V = Vice-Skip

**Legend:**  
↻ Clockwise                          ↻ Counter-clockwise                          **LSFE(\*)** Last Stone First End  
X Unplayed/unfinished end due to concession



### Session Results and Standings

Sheet	Team	LSD/LSFE	1	2	3	4	5	6	7	8	Extra Ends	Total
<b>H</b>	SCO - Scotland	53.6cm *	0	0	0	2	1	0	2	0		5
	KOR - Korea	144.7cm	0	1	0	0	0	1	0	1		3
<b>L</b>	JPN - Japan	218.3cm	0	0	1	0	2	0	1	X		4
	FIN - Finland	40.8cm *	4	2	0	1	0	1	0	X		8

### Current Standings

Group A					Group B				
Rank	Team	Games	Wins	Losses	Rank	Team	Games	Wins	Losses
1	CAN - Canada	4	4	0	1	FIN - Finland	4	4	0 Q
2	ENG - England	4	3	1	2	USA - United States	3	3	0
3	POR - Portugal	4	2	2	3	JPN - Japan	4	2	2
4	BEL - Belgium	3	1	2	4	HUN - Hungary	3	1	2
4	NED - Netherlands	3	1	2	5	ISR - Israel	4	1	3
6	IRL - Ireland	4	1	3	6	EST - Estonia	4	0	4
6	WAL - Wales	4	1	3					
Group C					Group D				
Rank	Team	Games	Wins	Losses	Rank	Team	Games	Wins	Losses
1	NOR - Norway	3	3	0	1	GER - Germany	3	3	0
2	LAT - Latvia	3	2	1	2	KOR - Korea	4	3	1
2	SWE - Sweden	3	2	1	2	SCO - Scotland	4	3	1
4	FRA - France	3	1	2	4	DEN - Denmark	3	1	2
4	ITA - Italy	3	1	2	5	ESP - Spain	3	0	3
6	NGR - Nigeria	3	0	3	5	NZL - New Zealand	3	0	3
Group E									
Rank	Team	Games	Wins	Losses					
1	CZE - Czechia	3	2	1					
1	POL - Poland	3	2	1					
1	SLO - Slovenia	3	2	1					
1	SUI - Switzerland	3	2	1					
5	AUS - Australia	3	1	2					
6	PHI - Philippines	3	0	3					

**Note:**  
Under World Curling rules, tie-breaking rules for standings are not applied until after the last game of the round robin.

**Legend:**  
LSD Last Stone Draw                      LSFE(\*) Last Stone First End                      Q Qualified for the play-offs  
X Unplayed/unfinished end due to concession





### Game Results

Sheet	Team	LSFE	1	2	3	4	5	6	7	8	Extra Ends	Total
H	SCO - Scotland	*	0	0	0	2	1	0	2	0		5
	KOR - Korea		0	1	0	0	0	1	0	1		3

SCO - Scotland	
4 S	BREWSTER Tom
3 V	HARE Frazer
2	STEVENSON Robbie
1	FRAME Don
A	-

KOR - Korea	
4 S	JUNG Jaesuk
3 V	JUNG Hyoheon
2	LEE Ilkyu
1	SEO Jungwoo
A	SON Jinsuk

Last Stone Draw		Distance
↻	FRAME Don	20.7cm
↻	HARE Frazer	32.9cm
<b>Total</b>		<b>53.6cm</b>

Last Stone Draw		Distance
↻	JUNG Hyoheon	18.2cm
↻	JUNG Jaesuk	126.5cm
<b>Total</b>		<b>144.7cm</b>

**Note:**  
Position and function for each team member:  
4 = Fourth, 3 = Third, 2 = Second, 1 = Lead, A = Alternate, S = Skip, V = Vice-Skip

**Legend:**  
↻ Clockwise      ↻ Counter-clockwise      **LSFE(\*)** Last Stone First End



### Game Results

Sheet	Team	LSFE	1	2	3	4	5	6	7	8	Extra Ends	Total
L	JPN - Japan		0	0	1	0	2	0	1	X		4
	FIN - Finland	*	4	2	0	1	0	1	0	X		8

JPN - Japan	
4	NAKAMURA Yoshito
3 V	DEN Naofumi
2	SUGAWARA Hiro tada
1 S	SEGAWA Hidenobu
A	FUNAKI Kazuhito

FIN - Finland	
4 S	RANTAMAKI Tomi
3 V	POLLANEN Jermu
2	SALO Teemu
1	LEHMUSKOSKI Ville
A	-

Last Stone Draw		Distance
↻	NAKAMURA Yoshito	18.7cm
↺	SEGAWA Hidenobu	199.6cm
<b>Total</b>		<b>218.3cm</b>

Last Stone Draw		Distance
↻	RANTAMAKI Tomi	11.6cm
↺	LEHMUSKOSKI Ville	29.2cm
<b>Total</b>		<b>40.8cm</b>

**Note:**  
Position and function for each team member:  
4 = Fourth, 3 = Third, 2 = Second, 1 = Lead, A = Alternate, S = Skip, V = Vice-Skip

**Legend:**  
↻ Clockwise                                    ↺ Counter-clockwise                                    **LSFE(\*)** Last Stone First End  
X Unplayed/unfinished end due to concession





### Session Results and Standings

Sheet	Team	LSD/LSFE	1	2	3	4	5	6	7	8	Extra Ends	Total
F	USA - United States	80.5cm *	0	1	2	0	2	0	0	X		5
	ISR - Israel	399.2cm	0	0	0	1	0	0	1	X		2
G	HUN - Hungary	52.0cm *	2	3	1	0	0	3	X	X		9
	EST - Estonia	240.9cm	0	0	0	1	1	0	X	X		2
H	IRL - Ireland	109.0cm	0	1	0	0	0	2	0	0		3
	ENG - England	72.2cm *	1	0	1	1	2	0	1	2		8
J	POR - Portugal	172.4cm *	2	0	0	0	1	0	1	0		4
	NED - Netherlands	252.5cm	0	2	1	1	0	2	0	1		7
L	CAN - Canada	276.5cm	4	1	0	0	4	2	X	X		11
	WAL - Wales	147.3cm *	0	0	1	1	0	0	X	X		2

### Current Standings

Group A					Group B				
Rank	Team	Games	Wins	Losses	Rank	Team	Games	Wins	Losses
1	CAN - Canada	4	4	0	1	FIN - Finland	3	3	0
2	ENG - England	4	3	1	1	USA - United States	3	3	0
3	POR - Portugal	4	2	2	3	JPN - Japan	3	2	1
4	BEL - Belgium	3	1	2	4	HUN - Hungary	3	1	2
4	NED - Netherlands	3	1	2	5	ISR - Israel	4	1	3
6	IRL - Ireland	4	1	3	6	EST - Estonia	4	0	4
6	WAL - Wales	4	1	3					
Group C					Group D				
Rank	Team	Games	Wins	Losses	Rank	Team	Games	Wins	Losses
1	NOR - Norway	3	3	0	1	GER - Germany	3	3	0
2	LAT - Latvia	3	2	1	1	KOR - Korea	3	3	0
2	SWE - Sweden	3	2	1	3	SCO - Scotland	3	2	1
4	FRA - France	3	1	2	4	DEN - Denmark	3	1	2
4	ITA - Italy	3	1	2	5	ESP - Spain	3	0	3
6	NGR - Nigeria	3	0	3	5	NZL - New Zealand	3	0	3
Group E									
Rank	Team	Games	Wins	Losses					
1	CZE - Czechia	3	2	1					
1	POL - Poland	3	2	1					
1	SLO - Slovenia	3	2	1					
1	SUI - Switzerland	3	2	1					
5	AUS - Australia	3	1	2					
6	PHI - Philippines	3	0	3					

**Note:**  
Under World Curling rules, tie-breaking rules for standings are not applied until after the last game of the round robin.

**Legend:**  
LSD Last Stone Draw                      LSFE(\*) Last Stone First End                      X Unplayed/unfinished end due to concession



### Game Results

Sheet	Team	LSFE	1	2	3	4	5	6	7	8	Extra Ends	Total
F	USA - United States	*	0	1	2	0	2	0	0	X		5
	ISR - Israel		0	0	0	1	0	0	1	X		2

USA - United States	
4 S	FARBELOW Mike
3	RUOHONEN Rich
2 V	STOPERA Bill
1	LEHTO Darren
A	-

ISR - Israel	
4 S	GOLBERG Kevin
3 V	POKRAS Alex
2	HOROWITZ Aaron
1	KEMPENICH Henrique
A	-

Last Stone Draw	Distance
↻ RUOHONEN Rich	51.4cm
↻ LEHTO Darren	29.1cm
<b>Total</b>	<b>80.5cm</b>

Last Stone Draw	Distance
↻ HOROWITZ Aaron	199.6cm
↻ KEMPENICH Henrique	199.6cm
<b>Total</b>	<b>399.2cm</b>

**Note:**  
Position and function for each team member:  
4 = Fourth, 3 = Third, 2 = Second, 1 = Lead, A = Alternate, S = Skip, V = Vice-Skip

**Legend:**  
↻ Clockwise      ↻ Counter-clockwise      LSFE(\*) Last Stone First End  
X Unplayed/unfinished end due to concession



**Game Results**

Sheet	Team	LSFE	1	2	3	4	5	6	7	8	Extra Ends	Total
G	HUN - Hungary	*	2	3	1	0	0	3	X	X		9
	EST - Estonia		0	0	0	1	1	0	X	X		2

HUN - Hungary	
4 S	NAGY Gyorgy
3	JAKAB Zoltan
2 V	BARTALUS Gabor
1	BARNA Krisztian
A	-

EST - Estonia	
4 S	VOOREMAA Valvo
3 V	TUBALKAIN Margus
2	TURMANN Tonis
1	REINOLA Hannes
A	-

Last Stone Draw		Distance
↻	NAGY Gyorgy	24.5cm
↻	JAKAB Zoltan	27.5cm
<b>Total</b>		<b>52.0cm</b>

Last Stone Draw		Distance
↻	VOOREMAA Valvo	41.3cm
↻	REINOLA Hannes	199.6cm
<b>Total</b>		<b>240.9cm</b>

**Note:**  
Position and function for each team member:  
**4** = Fourth, **3** = Third, **2** = Second, **1** = Lead, **A** = Alternate, **S** = Skip, **V** = Vice-Skip

**Legend:**  
↻ Clockwise                      ↻ Counter-clockwise                      **LSFE(\*)** Last Stone First End  
**X** Unplayed/unfinished end due to concession



## Game Results

Sheet	Team	LSFE	1	2	3	4	5	6	7	8	Extra Ends	Total
<b>H</b>	IRL - Ireland		0	1	0	0	0	2	0	0		3
	ENG - England	*	1	0	1	1	2	0	1	2		8

IRL - Ireland	
4 S	GRAY Bill
3 V	WHYTE David
2	FYFE Neil
1	CAMPBELL Tommy
A	-

ENG - England	
4 S	HORTON Ken
3 V	McGLYNN Douglas
2	GREGORY Martin
1	BRAND Stuart
A	-

### Last Stone Draw

☻	WHYTE David
☺	GRAY Bill

Distance

76.3cm
32.7cm

**Total**

**109.0cm**

### Last Stone Draw

☻	McGLYNN Douglas
☺	HORTON Ken

Distance

22.5cm
49.7cm

**Total**

**72.2cm**

### Note:

Position and function for each team member:

4 = Fourth, 3 = Third, 2 = Second, 1 = Lead, A = Alternate, S = Skip, V = Vice-Skip

### Legend:

☻ Clockwise

☺ Counter-clockwise

LSFE(\*) Last Stone First End



**WSSC 2025**  
Fredericton, NB, Canada

TUE 29 APR 2025  
Start Time 8:00

**World Senior Curling Championships 2025**  
Willie O'Ree Place  
Men



**Round Robin Session 12**  
**Group A - Sheet J** **WORLD CURLING**

### Game Results

Sheet	Team	LSFE	1	2	3	4	5	6	7	8	Extra Ends	Total
J	POR - Portugal	*	2	0	0	0	1	0	1	0		4
	NED - Netherlands		0	2	1	1	0	2	0	1		7

POR - Portugal	
4 S	SANTOS Vitor
3	RIBAU Jose
2 V	CHAVES Allan
1	PACHECO Joao
A	SMITH Neil

NED - Netherlands	
4 S	BOMAS Bob
3 V	MURRAY George
2	VAN WIERINGEN Willem
1	KOORNSTRA Johannes
A	DE JONG Andre

Last Stone Draw		Distance
↻	PACHECO Joao	33.7cm
↻	SANTOS Vitor	138.7cm
<b>Total</b>		<b>172.4cm</b>

Last Stone Draw		Distance
↻	BOMAS Bob	52.9cm
↻	KOORNSTRA Johannes	199.6cm
<b>Total</b>		<b>252.5cm</b>

**Note:**  
Position and function for each team member:  
4 = Fourth, 3 = Third, 2 = Second, 1 = Lead, A = Alternate, S = Skip, V = Vice-Skip

**Legend:**  
↻ Clockwise      ↻ Counter-clockwise      **LSFE(\*)** Last Stone First End



Game Results

Sheet	Team	LSFE	1	2	3	4	5	6	7	8	Extra Ends	Total
L	CAN - Canada		4	1	0	0	4	2	X	X		11
	WAL - Wales	*	0	0	1	1	0	0	X	X		2

CAN - Canada	
4 S	BRYDEN Randy
3 V	ROBINSON Troy
2	BRYDEN Russ
1	SEMENCHUCK Chris
A	HILL Glen

WAL - Wales	
4 S	TANNER Andrew
3 V	POUGHER Richard
2	REID Alistair
1	FYFFE George
A	-

Last Stone Draw		Distance
↻	ROBINSON Troy	163.1cm
↻	BRYDEN Russ	113.4cm
<b>Total</b>		<b>276.5cm</b>

Last Stone Draw		Distance
↻	FYFFE George	28.3cm
↻	POUGHER Richard	119.0cm
<b>Total</b>		<b>147.3cm</b>

**Note:**  
Position and function for each team member:  
4 = Fourth, 3 = Third, 2 = Second, 1 = Lead, A = Alternate, S = Skip, V = Vice-Skip

**Legend:**  
↻ Clockwise      ↻ Counter-clockwise      LSFE(\*) Last Stone First End  
X Unplayed/unfinished end due to concession





MON 28 APR 2025  
Start Time 20:00

Round Robin Session 11

**WORLD CURLING**

### Session Results and Standings

Sheet	Team	LSD/LSFE	1	2	3	4	5	6	7	8	Extra Ends	Total
H	DEN - Denmark	289.7cm	1	1	0	0	0	2	0	X		4
	GER - Germany	180.1cm *	0	0	2	1	1	0	5	X		9
J	NZL - New Zealand	257.1cm *	0	0	0	0	1	0	X	X		1
	SCO - Scotland	273.2cm	1	2	1	2	0	2	X	X		8
K	KOR - Korea	209.0cm *	3	0	2	4	1	2	X	X		12
	ESP - Spain	274.3cm	0	1	0	0	0	0	X	X		1

### Current Standings

Group A					Group B				
Rank	Team	Games	Wins	Losses	Rank	Team	Games	Wins	Losses
1	CAN - Canada	3	3	0	1	FIN - Finland	3	3	0
2	ENG - England	3	2	1	2	USA - United States	2	2	0
2	POR - Portugal	3	2	1	3	JPN - Japan	3	2	1
4	BEL - Belgium	3	1	2	4	ISR - Israel	3	1	2
4	IRL - Ireland	3	1	2	5	HUN - Hungary	2	0	2
4	WAL - Wales	3	1	2	6	EST - Estonia	3	0	3
7	NED - Netherlands	2	0	2					

Group C					Group D				
Rank	Team	Games	Wins	Losses	Rank	Team	Games	Wins	Losses
1	NOR - Norway	3	3	0	1	GER - Germany	3	3	0
2	LAT - Latvia	3	2	1	1	KOR - Korea	3	3	0
2	SWE - Sweden	3	2	1	3	SCO - Scotland	3	2	1
4	FRA - France	3	1	2	4	DEN - Denmark	3	1	2
4	ITA - Italy	3	1	2	5	ESP - Spain	3	0	3
6	NGR - Nigeria	3	0	3	5	NZL - New Zealand	3	0	3

Group E				
Rank	Team	Games	Wins	Losses
1	CZE - Czechia	3	2	1
1	POL - Poland	3	2	1
1	SLO - Slovenia	3	2	1
1	SUI - Switzerland	3	2	1
5	AUS - Australia	3	1	2
6	PHI - Philippines	3	0	3

**Note:**  
Under World Curling rules, tie-breaking rules for standings are not applied until after the last game of the round robin.

**Legend:**  
**LSD** Last Stone Draw                      **LSFE(\*)** Last Stone First End                      **X** Unplayed/unfinished end due to concession



### Game Results

Sheet	Team	LSFE	1	2	3	4	5	6	7	8	Extra Ends	Total
<b>H</b>	DEN - Denmark		1	1	0	0	0	2	0	X		4
	GER - Germany	*	0	0	2	1	1	0	5	X		9

DEN - Denmark	
4 S	TIDMAND Soeren
3	LORENTZEN Jens Groth
2	MUELLER Lars
1 V	LEGAARD Bo
A	-

GER - Germany	
4 S	KAPP Andy
3 V	AXNICK Oliver
2	MESSENZEHL Markus
1	KEMPF Andreas
A	HOEHNE Holger

Last Stone Draw		Distance
↻	MUELLER Lars	199.6cm
↻	LEGAARD Bo	90.1cm
<b>Total</b>		<b>289.7cm</b>

Last Stone Draw		Distance
↻	KAPP Andy	59.0cm
↻	MESSENZEHL Markus	121.1cm
<b>Total</b>		<b>180.1cm</b>

**Note:**  
Position and function for each team member:  
**4** = Fourth, **3** = Third, **2** = Second, **1** = Lead, **A** = Alternate, **S** = Skip, **V** = Vice-Skip

**Legend:**  
↻ Clockwise                                  ↻ Counter-clockwise                                  **LSFE(\*)** Last Stone First End  
**X** Unplayed/unfinished end due to concession



MON 28 APR 2025  
Start Time 20:00

**Round Robin Session 11**  
**Group D - Sheet J**

**WORLD CURLING**

**Game Results**

Sheet	Team	LSFE	1	2	3	4	5	6	7	8	Extra Ends	Total
<b>J</b>	NZL - New Zealand	*	0	0	0	0	1	0	X	X		1
	SCO - Scotland		1	2	1	2	0	2	X	X		8

NZL - New Zealand	
4 S	WATT Dave
3 V	CRAIG Iain
2	DEPAPE Lorne
1	FOTTI Dean
A	TELFER Tom

SCO - Scotland	
4 S	BREWSTER Tom
3 V	HARE Frazer
2	STEVENSON Robbie
1	FRAME Don
A	-

Last Stone Draw		Distance
↻	WATT Dave	57.5cm
↻	CRAIG Iain	199.6cm
<b>Total</b>		<b>257.1cm</b>

Last Stone Draw		Distance
↻	STEVENSON Robbie	101.3cm
↻	BREWSTER Tom	171.9cm
<b>Total</b>		<b>273.2cm</b>

<b>Note:</b> Position and function for each team member: <b>4</b> = Fourth, <b>3</b> = Third, <b>2</b> = Second, <b>1</b> = Lead, <b>A</b> = Alternate, <b>S</b> = Skip, <b>V</b> = Vice-Skip		
<b>Legend:</b>	↻ Clockwise	↻ Counter-clockwise
<b>X</b>	Unplayed/unfinished end due to concession	
		<b>LSFE(*)</b> Last Stone First End



**Game Results**

Sheet	Team	LSFE	1	2	3	4	5	6	7	8	Extra Ends	Total
K	KOR - Korea	*	3	0	2	4	1	2	X	X		12
	ESP - Spain		0	1	0	0	0	0	X	X		1

KOR - Korea	
4 S	JUNG Jaesuk
3 V	JUNG Hyoheon
2	LEE Ilkyu
1	SON Jinsuk
A	SEO Jungwoo

ESP - Spain	
4	TORRALBA ANAYA David
3 V	CARASA CRUZ Jose
2	SANDONIS BENITO Paco
1 S	GARCIA MAYOR Angel
A	DE PAZ GUTIEZ Eduardo

Last Stone Draw		Distance
↻	LEE Ilkyu	132.8cm
↻	SON Jinsuk	76.2cm
<b>Total</b>		<b>209.0cm</b>

Last Stone Draw		Distance
↻	TORRALBA ANAYA David	199.6cm
↻	GARCIA MAYOR Angel	74.7cm
<b>Total</b>		<b>274.3cm</b>

SEO J replaced SON J at the beginning of End 4

**Note:**  
Position and function for each team member:  
4 = Fourth, 3 = Third, 2 = Second, 1 = Lead, A = Alternate, S = Skip, V = Vice-Skip

**Legend:**  
↻ Clockwise                                  ↻ Counter-clockwise                                  **LSFE(\*)** Last Stone First End  
X Unplayed/unfinished end due to concession



**WSCC 2025**  
Fredericton, NB, Canada

**World Senior Curling Championships 2025**

Willie O'Ree Place  
Men



MON 28 APR 2025  
Start Time 16:00

Round Robin Session 10

**WORLD CURLING**

**Session Results and Standings**

Sheet	Team	LSD/LSFE	1	2	3	4	5	6	7	8	Extra Ends	Total
<b>F</b>	ENG - England	156.7cm	0	0	1	0	1	0	0	X		2
	CAN - Canada	55.6cm *	3	0	0	1	0	2	2	X		8
<b>G</b>	WAL - Wales	263.2cm	1	0	2	0	2	2	0	1		8
	IRL - Ireland	177.3cm *	0	1	0	3	0	0	1	0		5
<b>H</b>	JPN - Japan	43.6cm *	1	0	1	2	1	0	3	X		8
	EST - Estonia	297.6cm	0	2	0	0	0	0	0	X		2
<b>J</b>	FIN - Finland	96.8cm	1	2	0	1	0	4	1	X		9
	ISR - Israel	76.2cm *	0	0	2	0	1	0	0	X		3
<b>K</b>	POR - Portugal	246.2cm *	1	0	0	1	0	1	0	3		6
	BEL - Belgium	257.0cm	0	1	0	0	2	0	2	0		5

**Current Standings**

Group A					Group B				
Rank	Team	Games	Wins	Losses	Rank	Team	Games	Wins	Losses
1	CAN - Canada	3	3	0	1	FIN - Finland	3	3	0
2	ENG - England	3	2	1	2	USA - United States	2	2	0
2	POR - Portugal	3	2	1	3	JPN - Japan	3	2	1
4	BEL - Belgium	3	1	2	4	ISR - Israel	3	1	2
4	IRL - Ireland	3	1	2	5	HUN - Hungary	2	0	2
4	WAL - Wales	3	1	2	6	EST - Estonia	3	0	3
7	NED - Netherlands	2	0	2					
Group C					Group D				
Rank	Team	Games	Wins	Losses	Rank	Team	Games	Wins	Losses
1	NOR - Norway	3	3	0	1	GER - Germany	2	2	0
2	LAT - Latvia	3	2	1	1	KOR - Korea	2	2	0
2	SWE - Sweden	3	2	1	3	DEN - Denmark	2	1	1
4	FRA - France	3	1	2	3	SCO - Scotland	2	1	1
4	ITA - Italy	3	1	2	5	ESP - Spain	2	0	2
6	NGR - Nigeria	3	0	3	5	NZL - New Zealand	2	0	2
Group E									
Rank	Team	Games	Wins	Losses					
1	CZE - Czechia	3	2	1					
1	POL - Poland	3	2	1					
1	SLO - Slovenia	3	2	1					
1	SUI - Switzerland	3	2	1					
5	AUS - Australia	3	1	2					
6	PHI - Philippines	3	0	3					

**Note:**  
Under World Curling rules, tie-breaking rules for standings are not applied until after the last game of the round robin.

**Legend:**  
**LSD** Last Stone Draw                      **LSFE(\*)** Last Stone First End                      **X** Unplayed/unfinished end due to concession





**WSSC 2025**  
Fredericton, NB, Canada

**World Senior Curling Championships 2025**

Willie O'Ree Place

Men



MON 28 APR 2025  
Start Time 16:00

Round Robin Session 10  
Group A - Sheet F

**WORLD  
CURLING**

**Game Results**

Sheet	Team	LSFE	1	2	3	4	5	6	7	8	Extra Ends	Total
<b>F</b>	ENG - England		0	0	1	0	1	0	0	X		2
	CAN - Canada	*	3	0	0	1	0	2	2	X		8

ENG - England	
4 S	HORTON Ken
3 V	McGLYNN Douglas
2	GREGORY Martin
1	BRAND Stuart
A	-

CAN - Canada	
4 S	BRYDEN Randy
3 V	ROBINSON Troy
2	BRYDEN Russ
1	SEMENCHUCK Chris
A	HILL Glen

Last Stone Draw		Distance
↻	GREGORY Martin	90.0cm
↻	BRAND Stuart	66.7cm
<b>Total</b>		<b>156.7cm</b>

Last Stone Draw		Distance
↻	BRYDEN Randy	16.5cm
↻	SEMENCHUCK Chris	39.1cm
<b>Total</b>		<b>55.6cm</b>

**Note:**  
Position and function for each team member:  
4 = Fourth, 3 = Third, 2 = Second, 1 = Lead, A = Alternate, S = Skip, V = Vice-Skip

**Legend:**  
↻ Clockwise    ↻ Counter-clockwise    **LSFE(\*)** Last Stone First End  
X Unplayed/unfinished end due to concession



**Game Results**

Sheet	Team	LSFE	1	2	3	4	5	6	7	8	Extra Ends	Total
G	WAL - Wales		1	0	2	0	2	2	0	1		8
	IRL - Ireland	*	0	1	0	3	0	0	1	0		5

WAL - Wales	
4 S	TANNER Andrew
3 V	POUGHER Richard
2	REID Alistair
1	FYFFE George
A	-

IRL - Ireland	
4 S	GRAY Bill
3 V	WHYTE David
2	FYFE Neil
1	CAMPBELL Tommy
A	-

Last Stone Draw		Distance
↻	TANNER Andrew	199.6cm
↻	REID Alistair	63.6cm
<b>Total</b>		<b>263.2cm</b>

Last Stone Draw		Distance
↻	FYFE Neil	17.1cm
↻	CAMPBELL Tommy	160.2cm
<b>Total</b>		<b>177.3cm</b>

**Note:**  
Position and function for each team member:  
**4** = Fourth, **3** = Third, **2** = Second, **1** = Lead, **A** = Alternate, **S** = Skip, **V** = Vice-Skip

**Legend:**  
↻ Clockwise      ↻ Counter-clockwise      **LSFE(\*)** Last Stone First End



**WSSCC 2025**  
Fredericton, NB, Canada

**World Senior Curling Championships 2025**  
Willie O'Ree Place  
**Men**



**MON 28 APR 2025**  
Start Time 16:00

**Round Robin Session 10**  
**Group B - Sheet H**



### Game Results

Sheet	Team	LSFE	1	2	3	4	5	6	7	8	Extra Ends	Total
H	JPN - Japan	*	1	0	1	2	1	0	3	X		8
	EST - Estonia		0	2	0	0	0	0	0	X		2

JPN - Japan	
4	NAKAMURA Yoshito
3 V	SEGAWA Hidenobu
2	SUGAWARA Hirotada
1 S	FUNAKI Kazuhito
A	DEN Naofumi

EST - Estonia	
4 V	TUBALKAIN Margus
3 S	VOOREMAA Valvo
2	TURMANN Tonis
1	REINOLA Hannes
A	-

Last Stone Draw		Distance
↻	SUGAWARA Hirotada	24.5cm
↻	FUNAKI Kazuhito	19.1cm
<b>Total</b>		<b>43.6cm</b>

Last Stone Draw		Distance
↻	TURMANN Tonis	98.0cm
↻	VOOREMAA Valvo	199.6cm
<b>Total</b>		<b>297.6cm</b>

**Note:**  
Position and function for each team member:  
**4** = Fourth, **3** = Third, **2** = Second, **1** = Lead, **A** = Alternate, **S** = Skip, **V** = Vice-Skip

**Legend:**  
 ↻ Clockwise                          ↻ Counter-clockwise                          **LSFE(\*)** Last Stone First End  
**X** Unplayed/unfinished end due to concession





**WSCC 2025**  
Fredericton, NB, Canada

MON 28 APR 2025  
Start Time 16:00

**World Senior Curling Championships 2025**  
Willie O'Ree Place  
Men



**Round Robin Session 10**  
**Group B - Sheet J**

**WORLD**  
**CURLING**

## Game Results

Sheet	Team	LSFE	1	2	3	4	5	6	7	8	Extra Ends	Total
J	FIN - Finland		1	2	0	1	0	4	1	X		9
	ISR - Israel	*	0	0	2	0	1	0	0	X		3

FIN - Finland	
4 S	RANTAMAKI Tomi
3 V	POLLANEN Jermu
2	SALO Teemu
1	LEHMUSKOSKI Ville
A	-

ISR - Israel	
4 S	GOLBERG Kevin
3 V	POKRAS Alex
2	HOROWITZ Aaron
1	KEMPENICH Henrique
A	-

Last Stone Draw		Distance
☺	POLLANEN Jermu	74.0cm
☺	RANTAMAKI Tomi	22.8cm
<b>Total</b>		<b>96.8cm</b>

Last Stone Draw		Distance
☺	GOLBERG Kevin	20.1cm
☺	POKRAS Alex	56.1cm
<b>Total</b>		<b>76.2cm</b>

**Note:**  
Position and function for each team member:  
4 = Fourth, 3 = Third, 2 = Second, 1 = Lead, A = Alternate, S = Skip, V = Vice-Skip

**Legend:**  
☺ Clockwise                          ☺ Counter-clockwise                          LSFE(\*) Last Stone First End  
X Unplayed/unfinished end due to concession



### Game Results

Sheet	Team	LSFE	1	2	3	4	5	6	7	8	Extra Ends	Total
<b>K</b>	POR - Portugal	*	1	0	0	1	0	1	0	3		6
	BEL - Belgium		0	1	0	0	2	0	2	0		5

POR - Portugal	
4 S	SANTOS Vitor
3	RIBAU Jose
2 V	CHAVES Allan
1	PACHECO Joao
A	SMITH Neil

BEL - Belgium	
4 S	VAN DIJCK Stefan
3 V	VERBUEKEN Walter
2	PALMANS Bart
1	DE SWERT Jan
A	-

Last Stone Draw		Distance
↻	CHAVES Allan	199.6cm
↻	PACHECO Joao	46.6cm
<b>Total</b>		<b>246.2cm</b>

Last Stone Draw		Distance
↻	PALMANS Bart	199.6cm
↻	DE SWERT Jan	57.4cm
<b>Total</b>		<b>257.0cm</b>

**Note:**  
Position and function for each team member:  
**4** = Fourth, **3** = Third, **2** = Second, **1** = Lead, **A** = Alternate, **S** = Skip, **V** = Vice-Skip

**Legend:**  
↻ Clockwise      ↻ Counter-clockwise      **LSFE(\*)** Last Stone First End





**Session Results and Standings**

Sheet	Team	LSD/LSFE	1	2	3	4	5	6	7	8	Extra Ends	Total
F	NGR - Nigeria	81.4cm	0	1	0	1	0	0	0	X		2
	NOR - Norway	54.9cm *	6	0	2	0	2	2	1	X		13
G	FRA - France	65.0cm *	0	1	0	0	1	1	0	X		3
	LAT - Latvia	301.4cm	2	0	2	1	0	0	2	X		7
H	AUS - Australia	163.6cm	0	2	0	3	0	1	0	0		6
	SUI - Switzerland	72.5cm *	1	0	4	0	2	0	2	1		10
J	PHI - Philippines	233.8cm *	0	0	0	0	1	0	X	X		1
	CZE - Czechia	305.4cm	4	1	4	1	0	2	X	X		12
K	SLO - Slovenia	154.3cm *	2	0	2	0	2	1	0	1	2	10
	POL - Poland	204.5cm	0	4	0	1	0	0	3	0	0	8
L	ITA - Italy	144.3cm *	0	0	1	0	1	0	X	X		2
	SWE - Sweden	252.9cm	1	1	0	2	0	5	X	X		9

**Current Standings**

Group A					Group B				
Rank	Team	Games	Wins	Losses	Rank	Team	Games	Wins	Losses
1	CAN - Canada	2	2	0	1	FIN - Finland	2	2	0
1	ENG - England	2	2	0	1	USA - United States	2	2	0
3	BEL - Belgium	2	1	1	3	ISR - Israel	2	1	1
3	IRL - Ireland	2	1	1	3	JPN - Japan	2	1	1
3	POR - Portugal	2	1	1	5	EST - Estonia	2	0	2
6	NED - Netherlands	2	0	2	5	HUN - Hungary	2	0	2
6	WAL - Wales	2	0	2					
Group C					Group D				
Rank	Team	Games	Wins	Losses	Rank	Team	Games	Wins	Losses
1	NOR - Norway	3	3	0	1	GER - Germany	2	2	0
2	LAT - Latvia	3	2	1	1	KOR - Korea	2	2	0
2	SWE - Sweden	3	2	1	3	DEN - Denmark	2	1	1
4	FRA - France	3	1	2	3	SCO - Scotland	2	1	1
4	ITA - Italy	3	1	2	5	ESP - Spain	2	0	2
6	NGR - Nigeria	3	0	3	5	NZL - New Zealand	2	0	2
Group E									
Rank	Team	Games	Wins	Losses					
1	CZE - Czechia	3	2	1					
1	POL - Poland	3	2	1					
1	SLO - Slovenia	3	2	1					
1	SUI - Switzerland	3	2	1					
5	AUS - Australia	3	1	2					
6	PHI - Philippines	3	0	3					

**Note:**  
Under World Curling rules, tie-breaking rules for standings are not applied until after the last game of the round robin.

**Legend:**  
**LSD** Last Stone Draw                      **LSFE(\*)** Last Stone First End                      **X** Unplayed/unfinished end due to concession



Game Results

Sheet	Team	LSFE	1	2	3	4	5	6	7	8	Extra Ends	Total
F	NGR - Nigeria		0	1	0	1	0	0	0	X		2
	NOR - Norway	*	6	0	2	0	2	2	1	X		13

NGR - Nigeria	
4 S	COLE T. J.
3 V	JOHNSON Chad
2	NEIMETH Charles
1	BRIANNE Robert
A	DANIEL Damola

NOR - Norway	
4 S	UGLAND Even
3 V	SAGEN Rolf
2	SANDAAKER Karsten
1	RICHARDSEN Paul
A	KARTERUD Jon Sverre

Last Stone Draw		Distance
↻	COLE T. J.	1.3cm
↻	JOHNSON Chad	80.1cm
<b>Total</b>		<b>81.4cm</b>

Last Stone Draw		Distance
↻	SANDAAKER Karsten	12.1cm
↻	SAGEN Rolf	42.8cm
<b>Total</b>		<b>54.9cm</b>

KARTERUD JS replaced SAGEN R at the beginning of End 5  
Revised line-up: (4 S) UGLAND E, (3) SANDAAKER K, (2 V) KARTERUD JS, (1) RICHARDSEN P

<b>Note:</b> Position and function for each team member: 4 = Fourth, 3 = Third, 2 = Second, 1 = Lead, A = Alternate, S = Skip, V = Vice-Skip		
<b>Legend:</b>	↻ Clockwise	↻ Counter-clockwise
X	Unplayed/unfinished end due to concession	
		LSFE(*) Last Stone First End





### Game Results

Sheet	Team	LSFE	1	2	3	4	5	6	7	8	Extra Ends	Total
G	FRA - France	*	0	1	0	0	1	1	0	X		3
	LAT - Latvia		2	0	2	1	0	0	2	X		7

FRA - France	
4 S	ADAM Pascal
3	CHAUVEAU Mathieu
2 V	WALTER Christophe
1	THERIAS Philippe
A	-

LAT - Latvia	
4 S	REGZA Ansis
3 V	REDLIHS Janis
2	LINUZS Edgars
1	LACIS Aivars
A	-

Last Stone Draw		Distance
⌚	CHAUVEAU Mathieu	41.7cm
⌚	ADAM Pascal	23.3cm
<b>Total</b>		<b>65.0cm</b>

Last Stone Draw		Distance
⌚	LACIS Aivars	199.6cm
⌚	LINUZS Edgars	101.8cm
<b>Total</b>		<b>301.4cm</b>

**Note:**  
Position and function for each team member:  
4 = Fourth, 3 = Third, 2 = Second, 1 = Lead, A = Alternate, S = Skip, V = Vice-Skip

**Legend:**  
⌚ Clockwise                      ⌚ Counter-clockwise                      LSFE(\*) Last Stone First End  
X Unplayed/unfinished end due to concession



### Game Results

Sheet	Team	LSFE	1	2	3	4	5	6	7	8	Extra Ends	Total
H	AUS - Australia		0	2	0	3	0	1	0	0		6
	SUI - Switzerland	*	1	0	4	0	2	0	2	1		10

AUS - Australia	
4 S	LORRAIN-SMITH Hamish
3 V	BOYD James
2	DAVIS Geoff
1	IMLAH David
A	MACDONALD Brian

SUI - Switzerland	
4 S	WUEEST Dieter
3 V	PIESBERGEN Jens
2	ERB Ernst
1	LUETHI Daniel
A	SYFRIG Marc

Last Stone Draw		Distance
↻	BOYD James	108.9cm
↻	LORRAIN-SMITH Hamish	54.7cm
<b>Total</b>		<b>163.6cm</b>

Last Stone Draw		Distance
↻	LUETHI Daniel	40.2cm
↻	PIESBERGEN Jens	32.3cm
<b>Total</b>		<b>72.5cm</b>

**Note:**  
Position and function for each team member:  
**4** = Fourth, **3** = Third, **2** = Second, **1** = Lead, **A** = Alternate, **S** = Skip, **V** = Vice-Skip

**Legend:**  
↻ Clockwise      ↻ Counter-clockwise      **LSFE(\*)** Last Stone First End





**WSSC 2025**  
Fredericton, NB, Canada

MON 28 APR 2025  
Start Time 8:00

**World Senior Curling Championships 2025**  
Willie O'Ree Place  
Men



Round Robin Session 8  
Group E - Sheet J **WORLD CURLING**

### Game Results

Sheet	Team	LSFE	1	2	3	4	5	6	7	8	Extra Ends	Total
J	PHI - Philippines	*	0	0	0	0	1	0	X	X		1
	CZE - Czechia		4	1	4	1	0	2	X	X		12

PHI - Philippines	
4 S	OCHOCO Jonathan
3 V	GARBES Peter
1	ONGLINGSWAN Alastair
A	GARBES Jason
A	-

CZE - Czechia	
4 S	SIK David
3 V	BROZEK Marek
2	MENSIK Pavel
1	CHOBOT Jiri
A	-

Last Stone Draw	Distance
↻ ONGLINGSWAN Alastair	102.8cm
↻ OCHOCO Jonathan	131.0cm
<b>Total</b>	<b>233.8cm</b>

Last Stone Draw	Distance
↻ SIK David	199.6cm
↻ CHOBOT Jiri	105.8cm
<b>Total</b>	<b>305.4cm</b>

PHI playing with only three players - Lead and Third play three stones each.

**Note:**  
Position and function for each team member:  
4 = Fourth, 3 = Third, 2 = Second, 1 = Lead, A = Alternate, S = Skip, V = Vice-Skip

**Legend:**  
↻ Clockwise    ↻ Counter-clockwise    LSFE(\*) Last Stone First End  
X Unplayed/unfinished end due to concession



### Game Results

Sheet	Team	LSFE	1	2	3	4	5	6	7	8	Extra Ends	Total
K	SLO - Slovenia	*	2	0	2	0	2	1	0	1	2	10
	POL - Poland		0	4	0	1	0	0	3	0	0	8

SLO - Slovenia	
4 S	KAJIN John
3 V	KOLENKO John
2	ULCAR Stan
1	KONCAN Val
A	KROSEL Tony

POL - Poland	
4 S	HERMAN Damian
3	KLOS Pawel
2	TOMICA Janusz
1 V	NOWAK Krzysztof
A	PIOTROWICZ Pawel

Last Stone Draw		Distance
↻	KONCAN Val	119.3cm
↻	KAJIN John	35.0cm
<b>Total</b>		<b>154.3cm</b>

Last Stone Draw		Distance
↻	KLOS Pawel	175.9cm
↻	HERMAN Damian	28.6cm
<b>Total</b>		<b>204.5cm</b>

**Note:**  
Position and function for each team member:  
4 = Fourth, 3 = Third, 2 = Second, 1 = Lead, A = Alternate, S = Skip, V = Vice-Skip

**Legend:**  
↻ Clockwise      ↻ Counter-clockwise      **LSFE(\*)** Last Stone First End





**WSSC 2025**  
Fredericton, NB, Canada

**MON 28 APR 2025**  
Start Time 8:00

**World Senior Curling Championships 2025**

Willie O'Ree Place

**Men**



**Round Robin Session 8**  
**Group C - Sheet L**

**WORLD CURLING**

**Game Results**

Sheet	Team	LSFE	1	2	3	4	5	6	7	8	Extra Ends	Total
L	ITA - Italy	*	0	0	1	0	1	0	X	X		2
	SWE - Sweden		1	1	0	2	0	5	X	X		9

ITA - Italy	
4 S	MENARDI Antonio
3 V	BOMBASSEI Valter
2	CONSTANTINI Marco
1	REGIS Adriano
A	-

SWE - Sweden	
4 S	ERIKSSON Dan-Ola
3	HALLSTROEM Fredrik
2	OLIN Tommy
1 V	HALLSTROEM Rickard
A	CARLSEN Per

Last Stone Draw		Distance
↻	BOMBASSEI Valter	74.8cm
↻	CONSTANTINI Marco	69.5cm
<b>Total</b>		<b>144.3cm</b>

Last Stone Draw		Distance
↻	HALLSTROEM Fredrik	199.6cm
↻	ERIKSSON Dan-Ola	53.3cm
<b>Total</b>		<b>252.9cm</b>

**Note:**  
Position and function for each team member:  
4 = Fourth, 3 = Third, 2 = Second, 1 = Lead, A = Alternate, S = Skip, V = Vice-Skip

**Legend:**  
↻ Clockwise    ↻ Counter-clockwise    LSFE(\*) Last Stone First End  
X Unplayed/unfinished end due to concession



**Session Results and Standings**

Sheet	Team	LSD/LSFE	1	2	3	4	5	6	7	8	Extra Ends	Total
F	ISR - Israel	113.7cm *	1	0	1	2	0	2	0	0		6
	JPN - Japan	140.7cm	0	2	0	0	2	0	3	1		8
G	EST - Estonia	220.9cm	0	1	0	0	0	0	X	X		1
	FIN - Finland	96.6cm *	4	0	5	5	3	2	X	X		19
H	ENG - England	279.0cm	0	5	3	0	2	0	5	X		15
	NED - Netherlands	208.9cm *	1	0	0	1	0	1	0	X		3
J	CAN - Canada	220.4cm	3	0	4	3	0	5	X	X		15
	POR - Portugal	115.7cm *	0	1	0	0	1	0	X	X		2
K	GER - Germany	129.3cm	0	0	5	0	0	4	0	X		9
	NZL - New Zealand	72.9cm *	1	1	0	2	0	0	2	X		6
L	WAL - Wales	227.8cm *	0	0	3	0	3	0	1	0		7
	BEL - Belgium	320.3cm	2	2	0	1	0	1	0	2		8

**Current Standings**

Group A					Group B				
Rank	Team	Games	Wins	Losses	Rank	Team	Games	Wins	Losses
1	CAN - Canada	2	2	0	1	FIN - Finland	2	2	0
1	ENG - England	2	2	0	1	USA - United States	2	2	0
3	BEL - Belgium	2	1	1	3	ISR - Israel	2	1	1
3	IRL - Ireland	2	1	1	3	JPN - Japan	2	1	1
3	POR - Portugal	2	1	1	5	EST - Estonia	2	0	2
6	NED - Netherlands	2	0	2	5	HUN - Hungary	2	0	2
6	WAL - Wales	2	0	2					
Group C					Group D				
Rank	Team	Games	Wins	Losses	Rank	Team	Games	Wins	Losses
1	NOR - Norway	2	2	0	1	GER - Germany	2	2	0
2	FRA - France	2	1	1	1	KOR - Korea	2	2	0
2	ITA - Italy	2	1	1	3	DEN - Denmark	2	1	1
2	LAT - Latvia	2	1	1	3	SCO - Scotland	2	1	1
2	SWE - Sweden	2	1	1	5	ESP - Spain	2	0	2
6	NGR - Nigeria	2	0	2	5	NZL - New Zealand	2	0	2
Group E									
Rank	Team	Games	Wins	Losses					
1	POL - Poland	2	2	0					
2	AUS - Australia	2	1	1					
2	CZE - Czechia	2	1	1					
2	SLO - Slovenia	2	1	1					
2	SUI - Switzerland	2	1	1					
6	PHI - Philippines	2	0	2					

**Note:**  
Under World Curling rules, tie-breaking rules for standings are not applied until after the last game of the round robin.

**Legend:**  
**LSD** Last Stone Draw                      **LSFE(\*)** Last Stone First End                      **X** Unplayed/unfinished end due to concession





### Game Results

Sheet	Team	LSFE	1	2	3	4	5	6	7	8	Extra Ends	Total
F	ISR - Israel	*	1	0	1	2	0	2	0	0		6
	JPN - Japan		0	2	0	0	2	0	3	1		8

ISR - Israel	
4 S	GOLBERG Kevin
3 V	POKRAS Alex
2	HOROWITZ Aaron
1	KEMPENICH Henrique
A	-

JPN - Japan	
4	NAKAMURA Yoshito
3	DEN Naofumi
2 S	FUNAKI Kazuhito
1 V	SEGAWA Hidenobu
A	SUGAWARA Hirotdada

Last Stone Draw		Distance
↻	GOLBERG Kevin	62.4cm
↻	HOROWITZ Aaron	51.3cm
<b>Total</b>		<b>113.7cm</b>

Last Stone Draw		Distance
↻	SEGAWA Hidenobu	91.2cm
↻	NAKAMURA Yoshito	49.5cm
<b>Total</b>		<b>140.7cm</b>

**Note:**  
Position and function for each team member:  
**4** = Fourth, **3** = Third, **2** = Second, **1** = Lead, **A** = Alternate, **S** = Skip, **V** = Vice-Skip

**Legend:**  
↻ Clockwise      ↻ Counter-clockwise      **LSFE(\*)** Last Stone First End



**Game Results**

Sheet	Team	LSFE	1	2	3	4	5	6	7	8	Extra Ends	Total
<b>G</b>	EST - Estonia		0	1	0	0	0	0	X	X		1
	FIN - Finland	*	4	0	5	5	3	2	X	X		19

EST - Estonia	
4 S	TUBALKAIN Margus
3	TURMANN Tonis
1 V	REINOLA Hannes
A	VOOREMAA Valvo
A	-

FIN - Finland	
4 S	RANTAMAKI Tomi
3 V	POLLANEN Jermu
2	SALO Teemu
1	LEHMUSKOSKI Ville
A	-

**Last Stone Draw** Distance

TUBALKAIN Margus	21.3cm
TURMANN Tonis	199.6cm
<b>Total</b>	<b>220.9cm</b>

**Last Stone Draw** Distance

LEHMUSKOSKI Ville	62.3cm
SALO Teemu	34.3cm
<b>Total</b>	<b>96.6cm</b>

EST playing with only three players - Lead and Third play three stones each.

**Note:**  
Position and function for each team member:  
4 = Fourth, 3 = Third, 2 = Second, 1 = Lead, A = Alternate, S = Skip, V = Vice-Skip

**Legend:**  
 Clockwise                                Counter-clockwise                                **LSFE(\*)** Last Stone First End  
**X** Unplayed/unfinished end due to concession



SUN 27 APR 2025  
Start Time 20:00

Round Robin Session 7  
Group A - Sheet H

**WORLD  
CURLING**

### Game Results

Sheet	Team	LSFE	1	2	3	4	5	6	7	8	Extra Ends	Total
<b>H</b>	ENG - England		0	5	3	0	2	0	5	X		15
	NED - Netherlands	*	1	0	0	1	0	1	0	X		3

ENG - England	
4 S	HORTON Ken
3 V	McGLYNN Douglas
2	GREGORY Martin
1	BRAND Stuart
A	-

NED - Netherlands	
4 S	BOMAS Bob
3 V	MURRAY George
2	VAN WIERINGEN Willem
1	KOORNSTRA Johannes
A	DE JONG Andre

Last Stone Draw		Distance
↻	HORTON Ken	194.0cm
↻	McGLYNN Douglas	85.0cm
<b>Total</b>		<b>279.0cm</b>

Last Stone Draw		Distance
↻	VAN WIERINGEN Willem	124.6cm
↻	MURRAY George	84.3cm
<b>Total</b>		<b>208.9cm</b>

**Note:**  
Position and function for each team member:  
**4** = Fourth, **3** = Third, **2** = Second, **1** = Lead, **A** = Alternate, **S** = Skip, **V** = Vice-Skip

**Legend:**  
↻ Clockwise                      ↻ Counter-clockwise                      **LSFE(\*)** Last Stone First End  
**X** Unplayed/unfinished end due to concession



**WSSC 2025**  
Fredericton, NB, Canada

SUN 27 APR 2025  
Start Time 20:00

**World Senior Curling Championships 2025**  
Willie O'Ree Place  
Men



**Round Robin Session 7**  
**Group A - Sheet J**



**Game Results**

Sheet	Team	LSFE	1	2	3	4	5	6	7	8	Extra Ends	Total
J	CAN - Canada		3	0	4	3	0	5	X	X		15
	POR - Portugal	*	0	1	0	0	1	0	X	X		2

CAN - Canada	
4 S	BRYDEN Randy
3 V	ROBINSON Troy
2	BRYDEN Russ
1	SEMENCHUCK Chris
A	HILL Glen

POR - Portugal	
4 S	SANTOS Vitor
3 V	CHAVES Allan
2	RIBAU Jose
1	SMITH Neil
A	PACHECO Joao

Last Stone Draw		Distance
↻	BRYDEN Russ	78.3cm
↻	ROBINSON Troy	142.1cm
<b>Total</b>		<b>220.4cm</b>

Last Stone Draw		Distance
↻	SMITH Neil	88.9cm
↻	RIBAU Jose	26.8cm
<b>Total</b>		<b>115.7cm</b>

HILL G replaced BRYDEN R at the beginning of End 6

**Note:**  
Position and function for each team member:  
4 = Fourth, 3 = Third, 2 = Second, 1 = Lead, A = Alternate, S = Skip, V = Vice-Skip

**Legend:**  
↻ Clockwise                                    ↻ Counter-clockwise                                    LSFE(\*) Last Stone First End  
X Unplayed/unfinished end due to concession



**Game Results**

Sheet	Team	LSFE	1	2	3	4	5	6	7	8	Extra Ends	Total
<b>K</b>	GER - Germany		0	0	5	0	0	4	0	X		9
	NZL - New Zealand	*	1	1	0	2	0	0	2	X		6

GER - Germany	
4 S	KAPP Andy
3 V	AXNICK Oliver
2	HOEHNE Holger
1	KEMPF Andreas
A	MESSENZEHL Markus

NZL - New Zealand	
4 S	WATT Dave
3 V	CRAIG Iain
2	DEPAPE Lorne
1	TELFER Tom
A	FOTTI Dean

Last Stone Draw	Distance
KEMPF Andreas	108.6cm
AXNICK Oliver	20.7cm
<b>Total</b>	<b>129.3cm</b>

Last Stone Draw	Distance
TELFER Tom	48.1cm
DEPAPE Lorne	24.8cm
<b>Total</b>	<b>72.9cm</b>

**Note:**  
Position and function for each team member:  
4 = Fourth, 3 = Third, 2 = Second, 1 = Lead, A = Alternate, S = Skip, V = Vice-Skip

**Legend:**  
 Clockwise                      Counter-clockwise                      **LSFE(\*)** Last Stone First End  
**X** Unplayed/unfinished end due to concession



### Game Results

Sheet	Team	LSFE	1	2	3	4	5	6	7	8	Extra Ends	Total
L	WAL - Wales	*	0	0	3	0	3	0	1	0		7
	BEL - Belgium		2	2	0	1	0	1	0	2		8

WAL - Wales	
4 S	TANNER Andrew
3 V	POUGHER Richard
2	REID Alistair
1	FYFFE George
A	-

BEL - Belgium	
4 S	VAN DIJCK Stefan
3 V	VERBUEKEN Walter
2	PALMANS Bart
1	DE SWERT Jan
A	-

Last Stone Draw		Distance
↻	POUGHER Richard	177.9cm
↻	FYFFE George	49.9cm
<b>Total</b>		<b>227.8cm</b>

Last Stone Draw		Distance
↻	VERBUEKEN Walter	120.7cm
↻	VAN DIJCK Stefan	199.6cm
<b>Total</b>		<b>320.3cm</b>

**Note:**  
Position and function for each team member:  
**4** = Fourth, **3** = Third, **2** = Second, **1** = Lead, **A** = Alternate, **S** = Skip, **V** = Vice-Skip

**Legend:**  
↻ Clockwise      ↻ Counter-clockwise      **LSFE(\*)** Last Stone First End







**WSSC 2025**  
Fredericton, NB, Canada

SUN 27 APR 2025  
Start Time 16:00

**World Senior Curling Championships 2025**

Willie O'Ree Place  
**Men**



**Round Robin Session 6**  
**Group C - Sheet F**

**WORLD CURLING**

### Game Results

Sheet	Team	LSFE	1	2	3	4	5	6	7	8	Extra Ends	Total
<b>F</b>	LAT - Latvia		0	0	2	0	0	0	X	X		2
	SWE - Sweden	*	4	1	0	1	0	1	X	X		7

LAT - Latvia	
4 S	REGZA Ansis
3 V	REDLIHS Janis
2	LINUZS Edgars
1	LACIS Aivars
A	-

SWE - Sweden	
4 S	ERIKSSON Dan-Ola
3	HALLSTROEM Fredrik
2	OLIN Tommy
1 V	HALLSTROEM Rickard
A	CARLSEN Per

Last Stone Draw		Distance
↻	REGZA Ansis	80.0cm
↻	REDLIHS Janis	84.6cm
<b>Total</b>		<b>164.6cm</b>

Last Stone Draw		Distance
↻	HALLSTROEM Rickard	114.3cm
↻	OLIN Tommy	47.3cm
<b>Total</b>		<b>161.6cm</b>

<b>Note:</b>		
Position and function for each team member:		
4 = Fourth, 3 = Third, 2 = Second, 1 = Lead, A = Alternate, S = Skip, V = Vice-Skip		
<b>Legend:</b>		
↻	Clockwise	↻ Counter-clockwise
X	Unplayed/unfinished end due to concession	
		<b>LSFE(*)</b> Last Stone First End



**WSSC 2025**  
Fredericton, NB, Canada

SUN 27 APR 2025  
Start Time 16:00

**World Senior Curling Championships 2025**  
Willie O'Ree Place  
**Men**



**Round Robin Session 6**  
**Group E - Sheet G** **WORLD CURLING**

### Game Results

Sheet	Team	LSFE	1	2	3	4	5	6	7	8	Extra Ends	Total
<b>G</b>	SUI - Switzerland	*	0	1	1	0	2	1	3	X		8
	CZE - Czechia		1	0	0	2	0	0	0	X		3

SUI - Switzerland	
4 S	WUEEST Dieter
3 V	PIESBERGEN Jens
2	ERB Ernst
1	LUETHI Daniel
A	SYFRIG Marc

CZE - Czechia	
4 S	SIK David
3 V	BROZEK Marek
2	MENSIK Pavel
1	CHOBOT Jiri
A	-

Last Stone Draw		Distance
↻	WUEEST Dieter	15.4cm
↻	ERB Ernst	29.1cm
<b>Total</b>		<b>44.5cm</b>

Last Stone Draw		Distance
↻	BROZEK Marek	37.6cm
↻	MENSIK Pavel	32.3cm
<b>Total</b>		<b>69.9cm</b>

**Note:**  
Position and function for each team member:  
**4** = Fourth, **3** = Third, **2** = Second, **1** = Lead, **A** = Alternate, **S** = Skip, **V** = Vice-Skip

**Legend:**  
↻ Clockwise      ↻ Counter-clockwise      **LSFE(\*)** Last Stone First End  
**X** Unplayed/unfinished end due to concession



**Game Results**

Sheet	Team	LSFE	1	2	3	4	5	6	7	8	Extra Ends	Total
H	FRA - France	*	2	0	2	2	2	1	0	X		9
	NGR - Nigeria		0	1	0	0	0	0	1	X		2

FRA - France	
4 S	ADAM Pascal
3	CHAUVEAU Mathieu
2 V	WALTER Christophe
1	THERIAS Philippe
A	-

NGR - Nigeria	
4 S	COLE T. J.
3 V	JOHNSON Chad
2	NEIMETH Charles
1	BRIANNE Robert
A	DANIEL Damola

Last Stone Draw		Distance
↻	THERIAS Philippe	105.7cm
↻	WALTER Christophe	199.6cm
<b>Total</b>		<b>305.3cm</b>

Last Stone Draw		Distance
↻	BRIANNE Robert	168.0cm
↻	NEIMETH Charles	199.6cm
<b>Total</b>		<b>367.6cm</b>

**Note:**  
Position and function for each team member:  
4 = Fourth, 3 = Third, 2 = Second, 1 = Lead, A = Alternate, S = Skip, V = Vice-Skip

**Legend:**  
↻ Clockwise    ↻ Counter-clockwise    **LSFE(\*)** Last Stone First End  
X Unplayed/unfinished end due to concession





WSSC 2025  
Fredericton, NB, Canada

SUN 27 APR 2025  
Start Time 16:00

World Senior Curling Championships 2025  
Willie O'Ree Place  
Men



Round Robin Session 6  
Group E - Sheet J



### Game Results

**REVISED**  
28 APR 9:34

Sheet	Team	LSFE	1	2	3	4	5	6	7	8	Extra Ends	Total
J	AUS - Australia		0	0	3	2	0	0	0	X		5
	POL - Poland	*	3	2	0	0	0	2	1	X		8

AUS - Australia	
4 S	LORRAIN-SMITH Hamish
3 V	BOYD James
2	DAVIS Geoff
1	IMLAH David
A	MACDONALD Brian

POL - Poland	
4 S	HERMAN Damian
3	KLOS Pawel
2	PIOTROWICZ Pawel
1 V	NOWAK Krzysztof
A	TOMICA Janusz

Last Stone Draw		Distance
↻	DAVIS Geoff	37.7cm
↻	IMLAH David	87.1cm
<b>Total</b>		<b>124.8cm</b>

Last Stone Draw		Distance
↻	PIOTROWICZ Pawel	199.6cm
↻	NOWAK Krzysztof	26.2cm
<b>Total</b>		<b>225.8cm</b>

**Note:**  
Position and function for each team member:  
**4 = Fourth, 3 = Third, 2 = Second, 1 = Lead, A = Alternate, S = Skip, V = Vice-Skip**

**Legend:**  
 ↻ Clockwise      ↻ Counter-clockwise      LSFE(\*) Last Stone First End  
 X Unplayed/unfinished end due to concession

**REVISED** POL: Last Stone Draw distance has been revised. LSFE assignment has not been adjusted.





SUN 27 APR 2025  
Start Time 16:00

**Round Robin Session 6**  
**Group C - Sheet K** **WORLD CURLING**

**Game Results**

**REVISED**  
27 APR 18:56

Sheet	Team	LSFE	1	2	3	4	5	6	7	8	Extra Ends	Total
K	ITA - Italy	*	0	1	0	0	0	1	X	X		2
	NOR - Norway		3	0	1	2	3	0	X	X		9

ITA - Italy	
4 S	MENARDI Antonio
3 V	BOMBASSEI Valter
2	CONSTANTINI Marco
1	REGIS Adriano
A	-

NOR - Norway	
4 S	UGLAND Even
3 V	SAGEN Rolf
2	SANDBAAKER Karsten
1	KARTERUD Jon Sverre
A	RICHARDSEN Paul

Last Stone Draw		Distance
↻	REGIS Adriano	146.0cm
↻	MENARDI Antonio	199.6cm
<b>Total</b>		<b>345.6cm</b>

Last Stone Draw		Distance
↻	KARTERUD Jon Sverre	38.5cm
↻	SANDBAAKER Karsten	159.4cm
<b>Total</b>		<b>197.9cm</b>

RICHARDSEN P replaced SAGEN R at the beginning of End 6  
Revised line-up: (4 S) UGLAND E, (3 V) SANDBAAKER K, (2) KARTERUD JS, (1) RICHARDSEN P

**Note:**  
Position and function for each team member:  
**4** = Fourth, **3** = Third, **2** = Second, **1** = Lead, **A** = Alternate, **S** = Skip, **V** = Vice-Skip

**Legend:**  
↻ Clockwise      ↻ Counter-clockwise      **LSFE(\*)** Last Stone First End  
**X** Unplayed/unfinished end due to concession

**REVISED** NOR: Last Stone Draw distance has been revised. LSFE assignment has not been adjusted by agreement with team NOR.



### Game Results

Sheet	Team	LSFE	1	2	3	4	5	6	7	8	Extra Ends	Total
L	PHI - Philippines		0	1	0	0	0	0	X	X		1
	SLO - Slovenia	*	2	0	3	1	1	2	X	X		9

PHI - Philippines	
4 S	OCHOCO Jonathan
3 V	GARBES Peter
1	ONGLINGSWAN Alastair
A	GARBES Jason
A	-

SLO - Slovenia	
4 S	KAJIN John
3 V	KOLENKO John
2	KROSEL Tony
1	KONCAN Val
A	ULCAR Stan

Last Stone Draw		Distance
↻	GARBES Peter	199.6cm
↻	ONGLINGSWAN Alastair	118.6cm
<b>Total</b>		<b>318.2cm</b>

Last Stone Draw		Distance
↻	KAJIN John	32.9cm
↻	KOLENKO John	150.9cm
<b>Total</b>		<b>183.8cm</b>

PHI playing with only three players - Lead and Third play three stones each.

**Note:**  
Position and function for each team member:  
**4** = Fourth, **3** = Third, **2** = Second, **1** = Lead, **A** = Alternate, **S** = Skip, **V** = Vice-Skip

**Legend:**  
↻ Clockwise                                  ↻ Counter-clockwise                                  **LSFE(\*)** Last Stone First End  
**X** Unplayed/unfinished end due to concession



## Session Results and Standings

Sheet	Team	LSD/LSFE	1	2	3	4	5	6	7	8	Extra Ends	Total
<b>F</b>	DEN - Denmark	230.3cm *	0	1	0	1	0	2	0	X		4
	KOR - Korea	318.3cm	1	0	2	0	2	0	3	X		8
<b>G</b>	ESP - Spain	399.2cm	0	0	1	0	0	1	X	X		2
	SCO - Scotland	195.6cm *	3	4	0	3	1	0	X	X		11
<b>J</b>	USA - United States	155.3cm	0	0	2	0	4	0	2	X		8
	HUN - Hungary	88.4cm *	2	0	0	1	0	1	0	X		4

## Current Standings

Group A					Group B				
Rank	Team	Games	Wins	Losses	Rank	Team	Games	Wins	Losses
1	CAN - Canada	1	1	0	1	USA - United States	2	2	0
1	ENG - England	1	1	0	2	FIN - Finland	1	1	0
1	POR - Portugal	1	1	0	2	ISR - Israel	1	1	0
4	IRL - Ireland	2	1	1	4	EST - Estonia	1	0	1
5	BEL - Belgium	1	0	1	4	JPN - Japan	1	0	1
5	NED - Netherlands	1	0	1	6	HUN - Hungary	2	0	2
5	WAL - Wales	1	0	1					
Group C					Group D				
Rank	Team	Games	Wins	Losses	Rank	Team	Games	Wins	Losses
1	ITA - Italy	1	1	0	1	KOR - Korea	2	2	0
1	LAT - Latvia	1	1	0	2	GER - Germany	1	1	0
1	NOR - Norway	1	1	0	3	DEN - Denmark	2	1	1
4	FRA - France	1	0	1	3	SCO - Scotland	2	1	1
4	NGR - Nigeria	1	0	1	5	NZL - New Zealand	1	0	1
4	SWE - Sweden	1	0	1	6	ESP - Spain	2	0	2
Group E									
Rank	Team	Games	Wins	Losses					
1	AUS - Australia	1	1	0					
1	CZE - Czechia	1	1	0					
1	POL - Poland	1	1	0					
4	PHI - Philippines	1	0	1					
4	SLO - Slovenia	1	0	1					
4	SUI - Switzerland	1	0	1					

**Note:**  
Under World Curling rules, tie-breaking rules for standings are not applied until after the last game of the round robin.

**Legend:**  
**LSD** Last Stone Draw                      **LSFE(\*)** Last Stone First End                      **X** Unplayed/unfinished end due to concession





SUN 27 APR 2025  
Start Time 12:00

Round Robin Session 5  
Group D - Sheet F

WORLD  
CURLING

### Game Results

Sheet	Team	LSFE	1	2	3	4	5	6	7	8	Extra Ends	Total
F	DEN - Denmark	*	0	1	0	1	0	2	0	X		4
	KOR - Korea		1	0	2	0	2	0	3	X		8

DEN - Denmark	
4 S	TIDMAND Soeren
3	LORENTZEN Jens Groth
2	MUELLER Lars
1 V	LEGAARD Bo
A	-

KOR - Korea	
4 S	JUNG Jaesuk
3 V	JUNG Hyoheon
2	LEE Ilkyu
1	SON Jinsuk
A	SEO Jungwoo

Last Stone Draw		Distance
↻	TIDMAND Soeren	30.7cm
↻	LORENTZEN Jens Groth	199.6cm
<b>Total</b>		<b>230.3cm</b>

Last Stone Draw		Distance
↻	SON Jinsuk	148.2cm
↻	JUNG Hyoheon	170.1cm
<b>Total</b>		<b>318.3cm</b>

**Note:**  
Position and function for each team member:  
**4** = Fourth, **3** = Third, **2** = Second, **1** = Lead, **A** = Alternate, **S** = Skip, **V** = Vice-Skip

**Legend:**  
↻ Clockwise                          ↻ Counter-clockwise                          LSFE(\*) Last Stone First End  
X Unplayed/unfinished end due to concession



SUN 27 APR 2025  
Start Time 12:00

**Round Robin Session 5**  
**Group D - Sheet G**



**Game Results**

Sheet	Team	LSFE	1	2	3	4	5	6	7	8	Extra Ends	Total
<b>G</b>	ESP - Spain		0	0	1	0	0	1	X	X		2
	SCO - Scotland	*	3	4	0	3	1	0	X	X		11

<b>ESP - Spain</b>	
4	SANDONIS BENITO Paco
3 V	CARASA CRUZ Jose
2	DE PAZ GUTIEZ Eduardo
1 S	GARCIA MAYOR Angel
A	TORRALBA ANAYA David

<b>SCO - Scotland</b>	
4 S	BREWSTER Tom
3 V	HARE Frazer
2	STEVENSON Robbie
1	FRAME Don
A	-

<b>Last Stone Draw</b>		Distance
↻	GARCIA MAYOR Angel	199.6cm
↻	SANDONIS BENITO Paco	199.6cm
<b>Total</b>		<b>399.2cm</b>

<b>Last Stone Draw</b>		Distance
↻	HARE Frazer	153.2cm
↻	FRAME Don	42.4cm
<b>Total</b>		<b>195.6cm</b>

**Note:**  
Position and function for each team member:  
**4** = Fourth, **3** = Third, **2** = Second, **1** = Lead, **A** = Alternate, **S** = Skip, **V** = Vice-Skip

**Legend:**  
 ↻ Clockwise                      ↻ Counter-clockwise                      **LSFE(\*)** Last Stone First End  
**X** Unplayed/unfinished end due to concession





WSSC 2025  
Fredericton, NB, Canada

World Senior Curling Championships 2025  
Willie O'Ree Place  
Men



SUN 27 APR 2025  
Start Time 12:00

Round Robin Session 5  
Group B - Sheet J

WORLD  
CURLING

### Game Results

Sheet	Team	LSFE	1	2	3	4	5	6	7	8	Extra Ends	Total
J	USA - United States		0	0	2	0	4	0	2	X		8
	HUN - Hungary	*	2	0	0	1	0	1	0	X		4

USA - United States	
4 S	FARBELOW Mike
3	RUOHONEN Rich
2 V	STOPERA Bill
1	LEHTO Darren
A	-

HUN - Hungary	
4 S	NAGY Gyorgy
3	JAKAB Zoltan
2 V	BARTALUS Gabor
1	BARNA Krisztian
A	-

Last Stone Draw	Distance
↻ FARBELOW Mike	115.9cm
↻ STOPERA Bill	39.4cm
<b>Total</b>	<b>155.3cm</b>

Last Stone Draw	Distance
↻ JAKAB Zoltan	26.2cm
↻ NAGY Gyorgy	62.2cm
<b>Total</b>	<b>88.4cm</b>

**Note:**  
Position and function for each team member:  
4 = Fourth, 3 = Third, 2 = Second, 1 = Lead, A = Alternate, S = Skip, V = Vice-Skip

**Legend:**  
↻ Clockwise    ↻ Counter-clockwise    LSFE(\*) Last Stone First End  
X Unplayed/unfinished end due to concession



### Session Results and Standings

Sheet	Team	LSD/LSFE	1	2	3	4	5	6	7	8	Extra Ends	Total
F	FIN - Finland	102.9cm	0	2	0	2	0	0	3	X		7
	HUN - Hungary	42.7cm *	1	0	1	0	1	0	0	X		3
G	JPN - Japan	147.3cm	0	2	0	1	0	1	0	X		4
	USA - United States	60.7cm *	5	0	3	0	0	0	4	X		12
H	CAN - Canada	56.1cm *	1	0	2	0	0	0	0	0	3	6
	BEL - Belgium	380.9cm	0	1	0	0	0	1	0	1	0	3
J	FRA - France	240.6cm *	3	0	0	1	0	2	0	1		7
	ITA - Italy	245.8cm	0	3	1	0	3	0	2	0		9
K	NGR - Nigeria	268.6cm	1	0	0	1	0	1	0	X		3
	LAT - Latvia	257.7cm *	0	2	1	0	2	0	3	X		8
L	NED - Netherlands	358.9cm	0	2	0	4	0	0	1	X		7
	IRL - Ireland	92.5cm *	4	0	3	0	1	4	0	X		12

### Current Standings

Group A					Group B				
Rank	Team	Games	Wins	Losses	Rank	Team	Games	Wins	Losses
1	CAN - Canada	1	1	0	1	FIN - Finland	1	1	0
1	ENG - England	1	1	0	1	ISR - Israel	1	1	0
1	POR - Portugal	1	1	0	1	USA - United States	1	1	0
4	IRL - Ireland	2	1	1	4	EST - Estonia	1	0	1
5	BEL - Belgium	1	0	1	4	HUN - Hungary	1	0	1
5	NED - Netherlands	1	0	1	4	JPN - Japan	1	0	1
5	WAL - Wales	1	0	1					
Group C					Group D				
Rank	Team	Games	Wins	Losses	Rank	Team	Games	Wins	Losses
1	ITA - Italy	1	1	0	1	DEN - Denmark	1	1	0
1	LAT - Latvia	1	1	0	1	GER - Germany	1	1	0
1	NOR - Norway	1	1	0	1	KOR - Korea	1	1	0
4	FRA - France	1	0	1	4	ESP - Spain	1	0	1
4	NGR - Nigeria	1	0	1	4	NZL - New Zealand	1	0	1
4	SWE - Sweden	1	0	1	4	SCO - Scotland	1	0	1
Group E									
Rank	Team	Games	Wins	Losses					
1	AUS - Australia	1	1	0					
1	CZE - Czechia	1	1	0					
1	POL - Poland	1	1	0					
4	PHI - Philippines	1	0	1					
4	SLO - Slovenia	1	0	1					
4	SUI - Switzerland	1	0	1					

**Note:**  
Under World Curling rules, tie-breaking rules for standings are not applied until after the last game of the round robin.

**Legend:**  
**LSD** Last Stone Draw                      **LSFE(\*)** Last Stone First End                      **X** Unplayed/unfinished end due to concession





### Game Results

Sheet	Team	LSFE	1	2	3	4	5	6	7	8	Extra Ends	Total
F	FIN - Finland		0	2	0	2	0	0	3	X		7
	HUN - Hungary	*	1	0	1	0	1	0	0	X		3

FIN - Finland	
4 S	RANTAMAKI Tomi
3 V	POLLANEN Jermu
2	SALO Teemu
1	LEHMUSKOSKI Ville
A	-

HUN - Hungary	
4 S	NAGY Gyorgy
3	JAKAB Zoltan
2 V	BARTALUS Gabor
1	BARNA Krisztian
A	-

Last Stone Draw		Distance
↻	RANTAMAKI Tomi	31.6cm
↻	POLLANEN Jermu	71.3cm
<b>Total</b>		<b>102.9cm</b>

Last Stone Draw		Distance
↻	NAGY Gyorgy	3.9cm
↻	JAKAB Zoltan	38.8cm
<b>Total</b>		<b>42.7cm</b>

<b>Note:</b> Position and function for each team member: 4 = Fourth, 3 = Third, 2 = Second, 1 = Lead, A = Alternate, S = Skip, V = Vice-Skip		
<b>Legend:</b> ↻ Clockwise                      ↻ Counter-clockwise                      LSFE(*) Last Stone First End X Unplayed/unfinished end due to concession		



### Game Results

Sheet	Team	LSFE	1	2	3	4	5	6	7	8	Extra Ends	Total
G	JPN - Japan		0	2	0	1	0	1	0	X		4
	USA - United States	*	5	0	3	0	0	0	4	X		12

JPN - Japan	
4	NAKAMURA Yoshito
3 S	SEGAWA Hidenobu
2	SUGAWARA Hirotada
1 V	FUNAKI Kazuhito
A	DEN Naofumi

USA - United States	
4 S	FARBELOW Mike
3	RUOHONEN Rich
2 V	STOPERA Bill
1	LEHTO Darren
A	-

Last Stone Draw		Distance
↻	FUNAKI Kazuhito	65.5cm
↻	SUGAWARA Hirotada	81.8cm
<b>Total</b>		<b>147.3cm</b>

Last Stone Draw		Distance
↻	LEHTO Darren	37.6cm
↻	FARBELOW Mike	23.1cm
<b>Total</b>		<b>60.7cm</b>

**Note:**  
Position and function for each team member:  
4 = Fourth, 3 = Third, 2 = Second, 1 = Lead, A = Alternate, S = Skip, V = Vice-Skip

**Legend:**  
↻ Clockwise                                      ↻ Counter-clockwise                                      **LSFE(\*)** Last Stone First End  
X Unplayed/unfinished end due to concession



### Game Results

Sheet	Team	LSFE	1	2	3	4	5	6	7	8	Extra Ends	Total
H	CAN - Canada	*	1	0	2	0	0	0	0	0	3	6
	BEL - Belgium		0	1	0	0	0	1	0	1	0	3

CAN - Canada	
4 S	BRYDEN Randy
3 V	ROBINSON Troy
2	BRYDEN Russ
1	SEMENCHUCK Chris
A	HILL Glen

BEL - Belgium	
4 S	VAN DIJCK Stefan
3 V	VERBUEKEN Walter
2	PALMANS Bart
1	DE SWERT Jan
A	-

Last Stone Draw		Distance
↻	SEMENCHUCK Chris	13.2cm
↻	BRYDEN Randy	42.9cm
<b>Total</b>		<b>56.1cm</b>

Last Stone Draw		Distance
↻	DE SWERT Jan	181.3cm
↻	PALMANS Bart	199.6cm
<b>Total</b>		<b>380.9cm</b>

**Note:**  
Position and function for each team member:  
**4** = Fourth, **3** = Third, **2** = Second, **1** = Lead, **A** = Alternate, **S** = Skip, **V** = Vice-Skip

**Legend:**  
↻ Clockwise      ↻ Counter-clockwise      **LSFE(\*)** Last Stone First End



**Game Results**

Sheet	Team	LSFE	1	2	3	4	5	6	7	8	Extra Ends	Total
J	FRA - France	*	3	0	0	1	0	2	0	1		7
	ITA - Italy		0	3	1	0	3	0	2	0		9

FRA - France	
4 S	ADAM Pascal
3	CHAUVEAU Mathieu
2 V	WALTER Christophe
1	THERIAS Philippe
A	-

ITA - Italy	
4 S	MENARDI Antonio
3 V	BOMBASSEI Valter
2	CONSTANTINI Marco
1	REGIS Adriano
A	-

Last Stone Draw		Distance
↻	ADAM Pascal	199.6cm
↻	CHAUVEAU Mathieu	41.0cm
<b>Total</b>		<b>240.6cm</b>

Last Stone Draw		Distance
↻	CONSTANTINI Marco	199.6cm
↻	BOMBASSEI Valter	46.2cm
<b>Total</b>		<b>245.8cm</b>

**Note:**  
Position and function for each team member:  
4 = Fourth, 3 = Third, 2 = Second, 1 = Lead, A = Alternate, S = Skip, V = Vice-Skip

**Legend:**  
↻ Clockwise      ↻ Counter-clockwise      **LSFE(\*)** Last Stone First End





**WSSC 2025**  
Fredericton, NB, Canada

**SAT 26 APR 2025**  
Start Time 18:00

**World Senior Curling Championships 2025**

Willie O'Ree Place  
**Men**



**Round Robin Session 3**  
**Group C - Sheet K**

**WORLD CURLING**

**Game Results**

Sheet	Team	LSFE	1	2	3	4	5	6	7	8	Extra Ends	Total
<b>K</b>	NGR - Nigeria		1	0	0	1	0	1	0	X		3
	LAT - Latvia	*	0	2	1	0	2	0	3	X		8

<b>NGR - Nigeria</b>	
4 S	COLE T. J.
3 V	JOHNSON Chad
2	NEIMETH Charles
1	BRIANNE Robert
A	DANIEL Damola

<b>LAT - Latvia</b>	
4 S	REGZA Ansis
3 V	REDLIHS Janis
2	LINUZS Edgars
1	LACIS Aivars
A	-

<b>Last Stone Draw</b>		Distance
↻	JOHNSON Chad	199.6cm
↻	COLE T. J.	69.0cm
<b>Total</b>		<b>268.6cm</b>

<b>Last Stone Draw</b>		Distance
↻	REDLIHS Janis	58.1cm
↻	REGZA Ansis	199.6cm
<b>Total</b>		<b>257.7cm</b>

<b>Note:</b> Position and function for each team member: 4 = Fourth, 3 = Third, 2 = Second, 1 = Lead, A = Alternate, S = Skip, V = Vice-Skip		
<b>Legend:</b>		
↻	Clockwise	↻
↻	Counter-clockwise	LSFE(*) Last Stone First End
X	Unplayed/unfinished end due to concession	





### Session Results and Standings

Sheet	Team	LSD/LSFE	1	2	3	4	5	6	7	8	Extra Ends	Total
F	IRL - Ireland	224.0cm *	4	0	0	1	0	0	0	0		5
	POR - Portugal	270.7cm	0	0	1	0	1	1	1	1		6
G	SWE - Sweden	61.7cm *	1	0	0	0	0	1	1	X		3
	NOR - Norway	258.0cm	0	3	2	1	1	0	0	X		7
J	ENG - England	356.7cm	0	4	3	1	0	0	4	X		12
	WAL - Wales	262.5cm *	2	0	0	0	1	2	0	X		5
K	ISR - Israel	228.7cm *	1	3	2	1	0	4	X	X		11
	EST - Estonia	135.0cm	0	0	0	0	1	0	X	X		1

### Current Standings

Group A					Group B				
Rank	Team	Games	Wins	Losses	Rank	Team	Games	Wins	Losses
1	ENG - England	1	1	0	1	ISR - Israel	1	1	0
1	POR - Portugal	1	1	0	2	EST - Estonia	1	0	1
3	IRL - Ireland	1	0	1		FIN - Finland	0		
3	WAL - Wales	1	0	1		HUN - Hungary	0		
	BEL - Belgium	0				JPN - Japan	0		
	CAN - Canada	0				USA - United States	0		
	NED - Netherlands	0							
Group C					Group D				
Rank	Team	Games	Wins	Losses	Rank	Team	Games	Wins	Losses
1	NOR - Norway	1	1	0	1	DEN - Denmark	1	1	0
2	SWE - Sweden	1	0	1	1	GER - Germany	1	1	0
	FRA - France	0			1	KOR - Korea	1	1	0
	ITA - Italy	0			4	ESP - Spain	1	0	1
	LAT - Latvia	0			4	NZL - New Zealand	1	0	1
	NGR - Nigeria	0			4	SCO - Scotland	1	0	1
Group E									
Rank	Team	Games	Wins	Losses					
1	AUS - Australia	1	1	0					
1	CZE - Czechia	1	1	0					
1	POL - Poland	1	1	0					
4	PHI - Philippines	1	0	1					
4	SLO - Slovenia	1	0	1					
4	SUI - Switzerland	1	0	1					

**Note:**  
Under World Curling rules, tie-breaking rules for standings are not applied until after the last game of the round robin.

**Legend:**  
**LSD** Last Stone Draw                      **LSFE(\*)** Last Stone First End                      **X** Unplayed/unfinished end due to concession



### Game Results

Sheet	Team	LSFE	1	2	3	4	5	6	7	8	Extra Ends	Total
F	IRL - Ireland	*	4	0	0	1	0	0	0	0		5
	POR - Portugal		0	0	1	0	1	1	1	1		6

IRL - Ireland	
4 S	GRAY Bill
3 V	WHYTE David
2	FYFE Neil
1	CAMPBELL Tommy
A	-

POR - Portugal	
4 S	SANTOS Vitor
3 V	CHAVES Allan
2	RIBAU Jose
1	SMITH Neil
A	PACHECO Joao

Last Stone Draw		Distance
↻	GRAY Bill	168.1cm
↻	WHYTE David	55.9cm
<b>Total</b>		<b>224.0cm</b>

Last Stone Draw		Distance
↻	SANTOS Vitor	71.1cm
↻	CHAVES Allan	199.6cm
<b>Total</b>		<b>270.7cm</b>

**Note:**  
Position and function for each team member:  
4 = Fourth, 3 = Third, 2 = Second, 1 = Lead, A = Alternate, S = Skip, V = Vice-Skip

**Legend:**  
↻ Clockwise      ↻ Counter-clockwise      **LSFE(\*)** Last Stone First End



### Game Results

Sheet	Team	LSFE	1	2	3	4	5	6	7	8	Extra Ends	Total
G	SWE - Sweden	*	1	0	0	0	0	1	1	X		3
	NOR - Norway		0	3	2	1	1	0	0	X		7

SWE - Sweden	
4 S	ERIKSSON Dan-Ola
3	HALLSTROEM Fredrik
2	OLIN Tommy
1 V	HALLSTROEM Rickard
A	CARLSEN Per

NOR - Norway	
4 S	UGLAND Even
3 V	SAGEN Rolf
2	SANDAAKER Karsten
1	KARTERUD Jon Sverre
A	RICHARDSEN Paul

Last Stone Draw	Distance
ERIKSSON Dan-Ola	48.1cm
HALLSTROEM Fredrik	13.6cm
<b>Total</b>	<b>61.7cm</b>

Last Stone Draw	Distance
UGLAND Even	199.6cm
SAGEN Rolf	58.4cm
<b>Total</b>	<b>258.0cm</b>

**Note:**  
Position and function for each team member:  
4 = Fourth, 3 = Third, 2 = Second, 1 = Lead, A = Alternate, S = Skip, V = Vice-Skip

**Legend:**  
 Clockwise                                      Counter-clockwise                                      **LSFE(\*)** Last Stone First End  
**X** Unplayed/unfinished end due to concession



### Game Results

Sheet	Team	LSFE	1	2	3	4	5	6	7	8	Extra Ends	Total
J	ENG - England		0	4	3	1	0	0	4	X		12
	WAL - Wales	*	2	0	0	0	1	2	0	X		5

ENG - England	
4 S	HORTON Ken
3 V	McGLYNN Douglas
2	GREGORY Martin
1	BRAND Stuart
A	-

WAL - Wales	
4 S	TANNER Andrew
3 V	POUGHER Richard
2	REID Alistair
1	FYFFE George
A	-

Last Stone Draw	Distance
↻ BRAND Stuart	157.1cm
↻ GREGORY Martin	199.6cm
<b>Total</b>	<b>356.7cm</b>

Last Stone Draw	Distance
↻ REID Alistair	199.6cm
↻ TANNER Andrew	62.9cm
<b>Total</b>	<b>262.5cm</b>

**Note:**  
Position and function for each team member:  
**4** = Fourth, **3** = Third, **2** = Second, **1** = Lead, **A** = Alternate, **S** = Skip, **V** = Vice-Skip

**Legend:**  
↻ Clockwise    ↻ Counter-clockwise    **LSFE(\*)** Last Stone First End  
**X** Unplayed/unfinished end due to concession





### Session Results and Standings

Sheet	Team	LSD/LSFE	1	2	3	4	5	6	7	8	Extra Ends	Total
F	POL - Poland	255.4cm	0	2	0	2	0	0	1	0	1	6
	SUI - Switzerland	95.6cm *	1	0	1	0	2	0	0	1	0	5
G	AUS - Australia	137.7cm *	1	0	2	2	2	0	0	X		7
	PHI - Philippines	349.0cm	0	1	0	0	0	1	1	X		3
H	SLO - Slovenia	270.1cm	0	0	0	1	0	0	0	X		1
	CZE - Czechia	171.4cm *	4	2	3	0	1	3	3	X		16
J	KOR - Korea	399.2cm	1	0	0	2	0	3	1	X		7
	NZL - New Zealand	99.5cm *	0	1	0	0	1	0	0	X		2
K	ESP - Spain	177.3cm	0	3	0	0	2	0	1	X		6
	DEN - Denmark	84.7cm *	3	0	3	3	0	2	0	X		11
L	GER - Germany	177.0cm	0	1	0	0	2	0	0	2		5
	SCO - Scotland	55.8cm *	1	0	1	0	0	1	0	0		3

### Current Standings

Group A					Group B				
Rank	Team	Games	Wins	Losses	Rank	Team	Games	Wins	Losses
	BEL - Belgium					EST - Estonia			
	CAN - Canada					FIN - Finland			
	ENG - England					HUN - Hungary			
	IRL - Ireland					ISR - Israel			
	NED - Netherlands					JPN - Japan			
	POR - Portugal					USA - United States			
	WAL - Wales								
Group C					Group D				
Rank	Team	Games	Wins	Losses	Rank	Team	Games	Wins	Losses
	FRA - France				1	DEN - Denmark	1	1	0
	ITA - Italy				1	GER - Germany	1	1	0
	LAT - Latvia				1	KOR - Korea	1	1	0
	NGR - Nigeria				4	ESP - Spain	1	0	1
	NOR - Norway				4	NZL - New Zealand	1	0	1
	SWE - Sweden				4	SCO - Scotland	1	0	1
Group E									
Rank	Team	Games	Wins	Losses					
1	AUS - Australia	1	1	0					
1	CZE - Czechia	1	1	0					
1	POL - Poland	1	1	0					
4	PHI - Philippines	1	0	1					
4	SLO - Slovenia	1	0	1					
4	SUI - Switzerland	1	0	1					

**Note:**  
Under World Curling rules, tie-breaking rules for standings are not applied until after the last game of the round robin.

**Legend:**  
**LSD** Last Stone Draw                      **LSFE(\*)** Last Stone First End                      **X** Unplayed/unfinished end due to concession







### Game Results

Sheet	Team	LSFE	1	2	3	4	5	6	7	8	Extra Ends	Total
F	POL - Poland		0	2	0	2	0	0	1	0	1	6
	SUI - Switzerland	*	1	0	1	0	2	0	0	1	0	5

POL - Poland	
4 S	HERMAN Damian
3	KLOS Pawel
2	PIOTROWICZ Pawel
1 V	NOWAK Krzysztof
A	TOMICA Janusz

SUI - Switzerland	
4 S	WUEEST Dieter
3 V	PIESBERGEN Jens
2	ERB Ernst
1	LUETHI Daniel
A	SYFRIG Marc

Last Stone Draw		Distance
↻	HERMAN Damian	199.6cm
↻	KLOS Pawel	55.8cm
<b>Total</b>		<b>255.4cm</b>

Last Stone Draw		Distance
↻	ERB Ernst	16.5cm
↻	WUEEST Dieter	79.1cm
<b>Total</b>		<b>95.6cm</b>

**Note:**  
Position and function for each team member:  
4 = Fourth, 3 = Third, 2 = Second, 1 = Lead, A = Alternate, S = Skip, V = Vice-Skip

**Legend:**  
↻ Clockwise      ↻ Counter-clockwise      **LSFE(\*)** Last Stone First End







**WSCC 2025**  
Fredericton, NB, Canada

SAT 26 APR 2025  
Start Time 8:30

**World Senior Curling Championships 2025**  
Willie O'Ree Place  
**Men**



**Round Robin Session 1**  
**Group D - Sheet J**

**WORLD  
CURLING**

### Game Results

Sheet	Team	LSFE	1	2	3	4	5	6	7	8	Extra Ends	Total
<b>J</b>	KOR - Korea		1	0	0	2	0	3	1	X		7
	NZL - New Zealand	*	0	1	0	0	1	0	0	X		2

KOR - Korea	
4 S	JUNG Jaesuk
3 V	JUNG Hyoheon
2	LEE Ilkyu
1	SEO Jungwoo
A	SON Jinsuk

NZL - New Zealand	
4 S	WATT Dave
3 V	CRAIG Iain
2	DEPAPE Lorne
1	FOTTI Dean
A	TELFER Tom

Last Stone Draw		Distance
↻	JUNG Jaesuk	199.6cm
↻	LEE Ilkyu	199.6cm
<b>Total</b>		<b>399.2cm</b>

Last Stone Draw		Distance
↻	CRAIG Iain	56.8cm
↻	WATT Dave	42.7cm
<b>Total</b>		<b>99.5cm</b>

**Note:**  
Position and function for each team member:  
**4** = Fourth, **3** = Third, **2** = Second, **1** = Lead, **A** = Alternate, **S** = Skip, **V** = Vice-Skip

**Legend:**  
↻ Clockwise                                  ↻ Counter-clockwise                                  **LSFE(\*)** Last Stone First End  
**X** Unplayed/unfinished end due to concession



**WSSC 2025**  
Fredericton, NB, Canada

**World Senior Curling Championships 2025**  
Willie O'Ree Place  
**Men**



**SAT 26 APR 2025**  
Start Time 8:30

**Round Robin Session 1**  
**Group D - Sheet K**

**WORLD CURLING**

### Game Results

Sheet	Team	LSFE	1	2	3	4	5	6	7	8	Extra Ends	Total
K	ESP - Spain		0	3	0	0	2	0	1	X		6
	DEN - Denmark	*	3	0	3	3	0	2	0	X		11

ESP - Spain	
4	TORRALBA ANAYA David
3 V	CARASA CRUZ Jose
2	DE PAZ GUTIEZ Eduardo
1 S	GARCIA MAYOR Angel
A	SANDONIS BENITO Paco

DEN - Denmark	
4 S	TIDMAND Soeren
3	LORENTZEN Jens Groth
2	MUELLER Lars
1 V	LEGAARD Bo
A	-

Last Stone Draw		Distance
↻	CARASA CRUZ Jose	112.7cm
↻	DE PAZ GUTIEZ Eduardo	64.6cm
<b>Total</b>		<b>177.3cm</b>

Last Stone Draw		Distance
↻	LEGAARD Bo	47.2cm
↻	MUELLER Lars	37.5cm
<b>Total</b>		<b>84.7cm</b>

**Note:**  
Position and function for each team member:  
**4** = Fourth, **3** = Third, **2** = Second, **1** = Lead, **A** = Alternate, **S** = Skip, **V** = Vice-Skip

**Legend:**  
↻ Clockwise                                  ↻ Counter-clockwise                                  **LSFE(\*)** Last Stone First End  
**X** Unplayed/unfinished end due to concession



SAT 26 APR 2025  
Start Time 8:30

Round Robin Session 1  
Group D - Sheet L



### Game Results

Sheet	Team	LSFE	1	2	3	4	5	6	7	8	Extra Ends	Total
L	GER - Germany		0	1	0	0	2	0	0	2		5
	SCO - Scotland	*	1	0	1	0	0	1	0	0		3

GER - Germany	
4 S	KAPP Andy
3 V	AXNICK Oliver
2	HOEHNE Holger
1	MESSENZEHL Markus
A	KEMPF Andreas

SCO - Scotland	
4 S	BREWSTER Tom
3 V	HARE Frazer
2	STEVENSON Robbie
1	FRAME Don
A	-

Last Stone Draw		Distance
↻	HOEHNE Holger	115.9cm
↻	KAPP Andy	61.1cm
<b>Total</b>		<b>177.0cm</b>

Last Stone Draw		Distance
↻	BREWSTER Tom	18.7cm
↻	STEVENSON Robbie	37.1cm
<b>Total</b>		<b>55.8cm</b>

**Note:**  
 Position and function for each team member:  
**4** = Fourth, **3** = Third, **2** = Second, **1** = Lead, **A** = Alternate, **S** = Skip, **V** = Vice-Skip

**Legend:**  
 ↻ Clockwise    ↻ Counter-clockwise    **LSFE(\*)** Last Stone First End





## Entry List by Event

As of THU 24 APR 2025

<b>AUS - Australia</b>		<b>Group E</b>
4 S	LORRAIN-SMITH Hamish	R
3 V	BOYD James	R
2	DAVIS Geoff	R
1	IMLAH David	R
A	MACDONALD Brian	R
C	-	
O	-	
O	-	

<b>ENG - England</b>		<b>Group A</b>
4 S	HORTON Ken	R
3 V	McGLYNN Douglas	R
2	GREGORY Martin	R
1	BRAND Stuart	R
A	-	
C	McGLYNN Andy	
O	HORTON Liz	
O	GREGORY Lesley	

<b>BEL - Belgium</b>		<b>Group A</b>
4 S	VAN DIJCK Stefan	R
3 V	VERBUEKEN Walter	R
2	PALMANS Bart	R
1	DE SWERT Jan	R
A	-	
C	-	
O	-	
O	-	

<b>ESP - Spain</b>		<b>Group D</b>
4	TORRALBA ANAYA David	R
3 V	CARASA CRUZ Jose	R
2	DE PAZ GUTIEZ Eduardo	R
1 S	GARCIA MAYOR Angel	R
A	SANDONIS BENITO Paco	R
C	MARIN Felipe	
O	-	
O	-	

<b>CAN - Canada</b>		<b>Group A</b>
4 S	BRYDEN Randy	R
3 V	ROBINSON Troy	R
2	BRYDEN Russ	R
1	SEMENCHUCK Chris	R
A	HILL Glen	R
C	-	
O	-	
O	-	

<b>EST - Estonia</b>		<b>Group B</b>
4 S	TUBALKAIN Margus	R
3 V	VOOREMAA Valvo	R
2	TURMANN Tonis	R
1	REINOLA Hannes	R
A	-	
C	-	
O	HINN Sirli	
O	-	

<b>CZE - Czechia</b>		<b>Group E</b>
4 S	SIK David	L
3 V	BROZEK Marek	R
2	MENSIK Pavel	R
1	CHOBOT Jiri	R
A	-	
C	-	
O	-	
O	-	

<b>FIN - Finland</b>		<b>Group B</b>
4 S	RANTAMAKI Tomi	R
3 V	POLLANEN Jermu	R
2	SALO Teemu	L
1	LEHMUSKOSKI Ville	R
A	-	
C	-	
O	-	
O	-	

<b>DEN - Denmark</b>		<b>Group D</b>
4 S	TIDMAND Soeren	R
3	LORENTZEN Jens Groth	R
2	MUELLER Lars	R
1 V	LEGAARD Bo	R
A	-	
C	-	
O	-	
O	-	

<b>FRA - France</b>		<b>Group C</b>
4 S	ADAM Pascal	R
3	CHAUVEAU Mathieu	R
2 V	WALTER Christophe	R
1	THERIAS Philippe	R
A	-	
C	LOBE THERIAS Cheryl (CAN)	
O	-	
O	-	



## Entry List by Event

As of THU 24 APR 2025

<b>GER - Germany</b>		<b>Group D</b>
4 S	KAPP Andy	R
3 V	AXNICK Oliver	R
2	HOEHNE Holger	R
1	KEMPF Andreas	R
A	MESSENZEHL Markus	R
C	WENDORF Keith (CAN)	
O	-	
O	-	

<b>JPN - Japan</b>		<b>Group B</b>
4	NAKAMURA Yoshito	R
3 V	SEGAWA Hidenobu	R
2	SUGAWARA Hirota	R
1 S	FUNAKI Kazuhito	R
A	DEN Naofumi	R
C	TOMABECHI Michiko	
O	-	
O	-	

<b>HUN - Hungary</b>		<b>Group B</b>
4 S	NAGY Gyorgy	L
3	JAKAB Zoltan	R
2 V	BARTALUS Gabor	R
1	BARNA Krisztian	L
A	-	
C	ELL Darrell (CAN)	
O	-	
O	-	

<b>KOR - Korea</b>		<b>Group D</b>
4 S	JUNG Jaesuk	R
3 V	JUNG Hyoheon	L
2	LEE Ilkyu	R
1	SEO Jungwoo	L
A	SON Jinsuk	R
C	CHUNG Wonsuk	
O	-	
O	-	

<b>IRL - Ireland</b>		<b>Group A</b>
4 S	GRAY Bill	R
3 V	WHYTE David	R
2	FYFE Neil	R
1	CAMPBELL Tommy	R
A	-	
C	-	
O	-	
O	-	

<b>LAT - Latvia</b>		<b>Group C</b>
4 S	REGZA Ansis	R
3 V	REDLIHS Janis	L
2	LINUZS Edgars	R
1	LACIS Aivars	R
A	-	
C	-	
O	-	
O	-	

<b>ISR - Israel</b>		<b>Group B</b>
4 S	GOLBERG Kevin	L
3 V	POKRAS Alex	R
2	HOROWITZ Aaron	R
1	KEMPENICH Henrique	R
A	-	
C	GARGUL Neil (CAN)	
O	-	
O	-	

<b>NED - Netherlands</b>		<b>Group A</b>
4 S	BOMAS Bob	R
3 V	MURRAY George	R
2	VAN WIERINGEN Willem	R
1	KOORNSTRA Johannes	R
A	DE JONG Andre	R
C	KOORNSTRA-VAN ENS Sippie	
O	-	
O	-	

<b>ITA - Italy</b>		<b>Group C</b>
4 S	MENARDI Antonio	R
3 V	BOMBASSEI Valter	R
2	CONSTANTINI Marco	R
1	REGIS Adriano	R
A	-	
C	-	
O	-	
O	-	

<b>NGR - Nigeria</b>		<b>Group C</b>
4 S	COLE T. J.	L
3 V	JOHNSON Chad	R
2	NEIMETH Charles	R
1	BRIANNE Robert	R
A	DANIEL Damola	R
C	ROBICHAUD Ellery (CAN)	
O	-	
O	-	





## Entry List by Event

As of THU 24 APR 2025

<b>NOR - Norway</b>		<b>Group C</b>
4 S	UGLAND Even	R
3 V	SAGEN Rolf	R
2	SANDAAKER Karsten	R
1	KARTERUD Jon Sverre	R
A	RICHARDSEN Paul	R
C	HOILAND Tom	
O	-	
O	-	

<b>SCO - Scotland</b>		<b>Group D</b>
4 S	BREWSTER Tom	R
3 V	HARE Frazer	R
2	STEVENSON Robbie	R
1	FRAME Don	L
A	-	
C	-	
O	-	
O	-	

<b>NZL - New Zealand</b>		<b>Group D</b>
4 S	WATT Dave	R
3 V	CRAIG Iain	R
2	DEPAPE Lorne	R
1	FOTTI Dean	R
A	TELFER Tom	R
C	-	
O	-	
O	-	

<b>SLO - Slovenia</b>		<b>Group E</b>
4 S	KAJIN John	R
3 V	KOLENKO John	R
2	KROSEL Tony	R
1	KONCAN Val	R
A	ULCAR Stan	R
C	KUMER John	
O	GRDADOLNIK Boris (CAN)	
O	MUHIC John (CAN)	

<b>PHI - Philippines</b>		<b>Group E</b>
4 S	OCHOCO Jonathan	R
3 V	GARBES Peter	R
2	ONGLINGSWAN Alastair	R
1	GARBES Jason	R
A	-	
C	MACLAUGHLIN GARBES Heather	
O	GAVIN Martin (CAN)	
O	-	

<b>SUI - Switzerland</b>		<b>Group E</b>
4 S	WUEEST Dieter	L
3 V	PIESBERGEN Jens	R
2	ERB Ernst	R
1	LUETHI Daniel	R
A	SYFRIG Marc	R
C	ZUERRER Martin	
O	-	
O	-	

<b>POL - Poland</b>		<b>Group E</b>
4 S	HERMAN Damian	R
3	KLOS Pawel	R
2	PIOTROWICZ Pawel	R
1 V	NOWAK Krzysztof	R
A	TOMICA Janusz	R
C	-	
O	-	
O	-	

<b>SWE - Sweden</b>		<b>Group C</b>
4 S	ERIKSSON Dan-Ola	R
3	HALLSTROEM Fredrik	R
2	OLIN Tommy	R
1 V	HALLSTROEM Rickard	R
A	CARLSEN Per	R
C	BERGGREN Niklas	
O	-	
O	-	

<b>POR - Portugal</b>		<b>Group A</b>
4 S	SANTOS Vitor	R
3 V	CHAVES Allan	R
2	RIBAU Jose	R
1	PACHECO Joao	R
A	SMITH Neil	R
C	-	
O	-	
O	-	

<b>USA - United States</b>		<b>Group B</b>
4 S	FARBELOW Mike	R
3	RUOHONEN Rich	R
2 V	STOPERA Bill	R
1	LEHTO Darren	R
A	-	
C	ANNIS Pete	
O	-	
O	-	



## Entry List by Event

As of THU 24 APR 2025

<b>WAL - Wales</b>		<b>Group A</b>
4 S	TANNER Andrew	R
3 V	POUGHER Richard	R
2	REID Alistair	R
1	FYFFE George	R
A	-	
C	-	
O	-	
O	-	

**Note:**

Position and function for each team member:

**4** = Fourth, **3** = Third, **2** = Second, **1** = Lead, **A** = Alternate, **S** = Skip, **V** = Vice-Skip

**C** = Coach, **2C** = 2nd Team Coach, **NC** = National Coach, **T** = Translator, **O** = Team Official

**Legend:**

**L** Left-handed

**R** Right-handed



## Competition Officials

As of SUN 27 APR 2025

Function	Name	Organisation
<b>World Curling President:</b>	WELLING Beau	USA - United States
<b>World Curling Head of Competitions:</b>	ROETHLISBERGER Eeva	SUI - Switzerland
<b>World Curling Head of Development:</b>	ARNOLD Scott	CAN - Canada
<b>World Curling Technical Delegate:</b>	GORDON Rob	CAN - Canada
<b>Chief Umpire:</b>	McCANN Jerry	CAN - Canada
<b>Deputy Chief Umpire:</b>	SEPHTON Tom	CAN - Canada
<b>Timing Supervisors:</b>	HAWKES Paul REID Les	CAN - Canada CAN - Canada
<b>Chief Ice Technician:</b>	MASON Joe	CAN - Canada
<b>Deputy Chief Ice Technician:</b>	BENSON Eldie	CAN - Canada



## Competition Schedule

As of SUN 27 APR 2025

Date	Start Time	Session	Sheet F	Sheet G	Sheet H	Sheet J	Sheet K	Sheet L	
SAT 26 APR	8:30	1	POL - SUI	AUS - PHI	SLO - CZE	KOR - NZL	ESP - DEN	GER - SCO	
	12:30	2	IRL - POR	SWE - NOR		ENG - WAL	ISR - EST		
	18:00	3	FIN - HUN	JPN - USA	CAN - BEL	FRA - ITA	NGR - LAT	NED - IRL	
SUN 27 APR	8:00	4	ltu - sui	swe - cze	den - eng	jpn - can	aus - irl	fin - lat	
	12:00	5	DEN - KOR	ESP - SCO	usa - nzl	USA - HUN	sco - hkg		
	16:00	6	LAT - SWE	SUI - CZE	FRA - NGR	AUS - POL	ITA - NOR	PHI - SLO	
	20:00	7	ISR - JPN	EST - FIN	ENG - NED	CAN - POR	GER - NZL	WAL - BEL	
MON 28 APR	8:00	8	NGR - NOR	FRA - LAT	AUS - SUI	PHI - CZE	SLO - POL	ITA - SWE	
	12:00	9		fin - nzl	lat - sco	den - aus	can - swe	sui - irl	
	16:00	10	ENG - CAN	WAL - IRL	JPN - EST	FIN - ISR	POR - BEL	usa - cze	
	20:00	11		jpn - hkg	DEN - GER	NZL - SCO	KOR - ESP	eng - ltu	
TUE 29 APR	8:00	12	USA - ISR	HUN - EST	IRL - ENG	POR - NED	nzl - lat	CAN - WAL	
	12:00	13	hkg - swe	aus - ltu	SCO - KOR	sui - eng	fin - jpn	JPN - FIN	
	16:00	14	SLO - AUS	NZL - DEN	WAL - POR	GER - ESP	PHI - SUI	CZE - POL	
	20:00	15	irl - den	NGR - ITA	can - cze	NOR - LAT	SWE - FRA	sco - usa	
WED 30 APR	8:00	16	BEL - NED		NZL - ESP			swe - jpn	
	12:00	17	nzl - can	KOR - GER	HUN - ISR	cze - hkg	IRL - CAN	EST - USA	
	16:00	18	sco - fin	BEL - ENG	LAT - ITA	SWE - NGR	NED - WAL	NOR - FRA	
	20:00	19	eng - aus	lat - usa	irl - ltu	SCO - DEN	den - sui		
THU 1 MAY	8:00	20			FIN - USA	BEL - IRL	HUN - JPN	POR - ENG	
	12:00	21	cze - jpn	NED - CAN	POL - PHI	SUI - SLO	CZE - AUS	ltu - den	
	16:00	22	swe - lat	eng - irl	sui - aus	nzl - sco	usa - fin	hkg - can	
	20:00		Men's Qualification Games						
FRI 2 MAY	9:00		Women's Quarter-finals						
	13:00		Men's Quarter-finals						
	19:30		Men's and Women's Semi-finals						
SAT 3 MAY	10:00		Men's and Women's Finals						

**Note:**

For NOC codes, lowercase is used for Women, and uppercase is used for Men.  
First named team in each game plays red-handled stones and wears dark coloured upper playing garments.  
Please check online for more details and the latest updates.

**Legend:**

**Mn** Men's session n   **wn** Women's session n