



RESULTS SUMMARY



World Senior Curling Championship 2025

Men

Fredericton, NB, CAN

26 April - 3 May 2025





WSSC 2025
Fredericton, NB, Canada

SAT 3 MAY 2025

World Senior Curling Championships 2025
Willie O'Ree Place
Men



Medallists

Medal	Country	Name	Position - Function
GOLD	CAN - Canada	BRYDEN Randy	4 S
		ROBINSON Troy	3
		BRYDEN Russ	2
		SEMENCHUCK Chris	1
		HILL Glen	A
SILVER	SCO - Scotland	BREWSTER Tom	4 S
		HARE Frazer	3
		STEVENSON Robbie	2
		FRAME Don	1
BRONZE	USA - United States	FARBELOW Mike	4 S
		RUOHONEN Rich	3
		STOPERA Bill	2
		LEHTO Darren	1
		ANNIS Pete	C

Note:
Position and function for each team member:
4 = Fourth, **3** = Third, **2** = Second, **1** = Lead, **A** = Alternate, **S** = Skip, **C** = Coach



Final Standings

Rank	Team	Players	Position - Function	Group Rank	DSC
1	CAN - Canada	BRYDEN Randy	4 S		
		ROBINSON Troy	3 V		
		BRYDEN Russ	2		
		SEMENCHUCK Chris	1		
		HILL Glen	A		
		-	C		
2	SCO - Scotland	BREWSTER Tom	4 S		
		HARE Frazer	3 V		
		STEVENSON Robbie	2		
		FRAME Don	1		
		-	A		
		-	C		
3	USA - United States	FARBELOW Mike	4 S		
		RUOHONEN Rich	3		
		STOPERA Bill	2 V		
		LEHTO Darren	1		
		-	A		
		ANNIS Pete	C		
4	FIN - Finland	RANTAMAKI Tomi	4 S		
		POLLANEN Jermu	3 V		
		SALO Teemu	2		
		LEHMUSKOSKI Ville	1		
		-	A		
		-	C		
5	CZE - Czechia	SIK David	4 S		
		BROZEK Marek	3 V		
		MENSIK Pavel	2		
		CHOBOT Jiri	1		
		-	A		
		-	C		
5	GER - Germany	KAPP Andy	4 S		
		AXNICK Oliver	3 V		
		HOEHNE Holger	2		
		KEMPF Andreas	1		
		MESSENZEHL Markus	A		
		WENDORF Keith	C		
5	NOR - Norway	UGLAND Even	4 S		
		SAGEN Rolf	3 V		
		SANDAAKER Karsten	2		
		KARTERUD Jon Sverre	1		
		RICHARDSEN Paul	A		
		HOILAND Tom	C		



Final Standings

Rank	Team	Players	Position - Function	Group Rank	DSC
5	SUI - Switzerland	WUEEST Dieter	4 S		
		PIESBERGEN Jens	3 V		
		ERB Ernst	2		
		LUETHI Daniel	1		
		SYFRIG Marc	A		
		ZUERRER Martin	C		
9	ENG - England	HORTON Ken	4 S		
		McGLYNN Douglas	3 V		
		GREGORY Martin	2		
		BRAND Stuart	1		
		-	A		
		McGLYNN Andy	C		
9	HUN - Hungary	NAGY Gyorgy	4 S		
		JAKAB Zoltan	3		
		BARTALUS Gabor	2 V		
		BARNA Krisztian	1		
		-	A		
		ELL Darrell	C		
9	POL - Poland	HERMAN Damian	4 S		
		KLOS Pawel	3		
		PIOTROWICZ Pawel	2		
		NOWAK Krzysztof	1 V		
		TOMICA Janusz	A		
		-	C		
9	SWE - Sweden	ERIKSSON Dan-Ola	4 S		
		HALLSTROEM Fredrik	3		
		OLIN Tommy	2		
		HALLSTROEM Rickard	1 V		
		CARLSEN Per	A		
		BERGGREN Niklas	C		
13	ITA - Italy	MENARDI Antonio	4 S	C3	87.12 cm
		BOMBASEI Valter	3 V		
		CONSTANTINI Marco	2		
		REGIS Adriano	1		
		-	A		
		-	C		
14	POR - Portugal	SANTOS Vitor	4 S	A3	98.84 cm
		CHAVES Allan	3 V		
		RIBAU Jose	2		
		PACHECO Joao	1		
		SMITH Neil	A		
		-	C		



Final Standings

Rank	Team	Players	Position - Function	Group Rank	DSC
15	KOR - Korea	JUNG Jaesuk JUNG Hyoheon LEE Ilkyu SEO Jungwoo SON Jinsuk CHUNG Wonsuk	4 S 3 V 2 1 A C	D3	128.22 cm
16	JPN - Japan	NAKAMURA Yoshito SEGAWA Hidenobu SUGAWARA Hirotada FUNAKI Kazuhito DEN Naofumi TOMABECHI Michiko	4 3 V 2 1 S A C	B4	56.06 cm
17	AUS - Australia	LORRAIN-SMITH Hamish BOYD James DAVIS Geoff IMLAH David MACDONALD Brian -	4 S 3 V 2 1 A C	E4	58.49 cm
18	DEN - Denmark	TIDMAND Soeren LORENTZEN Jens Groth MUELLER Lars LEGAARD Bo - -	4 S 3 2 1 V A C	D4	90.74 cm
19	LAT - Latvia	REGZA Ansis REDLIHS Janis LINUZS Edgars LACIS Aivars - -	4 S 3 V 2 1 A C	C4	104.84 cm
20	WAL - Wales	TANNER Andrew POUGHER Richard REID Alistair FYFFE George - -	4 S 3 V 2 1 A C	A4	107.53 cm
21	IRL - Ireland	GRAY Bill WHYTE David FYFE Neil CAMPBELL Tommy - -	4 S 3 V 2 1 A C	A5	69.76 cm



Final Standings

Rank	Team	Players	Position - Function	Group Rank	DSC
22	SLO - Slovenia	KAJIN John	4 S	E5	76.96 cm
		KOLENKO John	3 V		
		KROSEL Tony	2		
		KONCAN Val	1		
		ULCAR Stan	A		
		KUMER John	C		
23	ISR - Israel	GOLBERG Kevin	4 S	B5	81.54 cm
		POKRAS Alex	3 V		
		HOROWITZ Aaron	2		
		KEMPENICH Henrique	1		
		-	A		
		GARGUL Neil	C		
24	NZL - New Zealand	WATT Dave	4 S	D5	86.48 cm
		CRAIG Iain	3 V		
		DEPAPE Lorne	2		
		FOTTI Dean	1		
		TELFER Tom	A		
		-	C		
25	FRA - France	ADAM Pascal	4 S	C5	100.78 cm
		CHAUVEAU Mathieu	3		
		WALTER Christophe	2 V		
		THERIAS Philippe	1		
		-	A		
		LOBE THERIAS Cheryl	C		
26	EST - Estonia	TUBALKAIN Margus	4 S	B6	96.18 cm
		VOOREMAA Valvo	3 V		
		TURMANN Tonis	2		
		REINOLA Hannes	1		
		-	A		
		-	C		
27	NGR - Nigeria	COLE T. J.	4 S	C6	109.29 cm
		JOHNSON Chad	3 V		
		NEIMETH Charles	2		
		BRIANNE Robert	1		
		DANIEL Damola	A		
		ROBICHAUD Ellery	C		
28	ESP - Spain	TORRALBA ANAYA David	4	D6	115.32 cm
		CARASA CRUZ Jose	3 V		
		DE PAZ GUTIEZ Eduardo	2		
		GARCIA MAYOR Angel	1 S		
		SANDONIS BENITO Paco	A		
		MARIN Felipe	C		



Final Standings

Rank	Team	Players	Position - Function	Group Rank	DSC
29	NED - Netherlands	BOMAS Bob	4 S	A6	127.72 cm
		MURRAY George	3 V		
		VAN WIERINGEN Willem	2		
		KOORNSTRA Johannes	1		
		DE JONG Andre	A		
		KOORNSTRA-VAN ENS Sippie	C		
30	PHI - Philippines	OCHOCO Jonathan	4 S	E6	150.09 cm
		GARBES Peter	3 V		
		ONGLINGSWAN Alastair	2		
		GARBES Jason	1		
		-	A		
		MACLAUGHLIN GARBES Heather	C		
31	BEL - Belgium	VAN DIJCK Stefan	4 S	A7	152.93 cm
		VERBUEKEN Walter	3 V		
		PALMANS Bart	2		
		DE SWERT Jan	1		
		-	A		
		-	C		

Note:

Final standings are based on play-off results and group standings. Losers of the quarter-finals are ranked equal fifth. Losers of the qualification are ranked equal ninth. The remaining teams are ranked according to their group rank and the Draw Shot Challenge (DSC).

Position and function for each team member:

4 = Fourth, **3** = Third, **2** = Second, **1** = Lead, **A** = Alternate, **S** = Skip, **V** = Vice-Skip, **C** = Coach



Competition Summary

Session	Date Time	Sheet F	Sheet G	Sheet H	Sheet J	Sheet K	Sheet L
Session 1	26 APR 8:30	POL 6 - 5 SUI	AUS 7 - 3 PHI	SLO 1 - 16 CZE	KOR 7 - 2 NZL	ESP 6 - 11 DEN	GER 5 - 3 SCO
Session 2	26 APR 12:30	IRL 5 - 6 ^{EE} POR	SWE 3 - 7 NOR		ENG 12 - 5 WAL	ISR 11 - 1 EST	
Session 3	26 APR 18:00	FIN 7 - 3 HUN	JPN 4 - 12 USA	CAN 6 - 3 ^{EE} BEL	FRA 7 - 9 ITA	NGR 3 - 8 LAT	NED 7 - 12 IRL
Session 5	27 APR 12:00	DEN 4 - 8 KOR	ESP 2 - 11 SCO		USA 8 - 4 HUN		
Session 6	27 APR 16:00	LAT 2 - 7 SWE	SUI 8 - 3 CZE	FRA 9 - 2 NGR	AUS 5 - 8 POL	ITA 2 - 9 NOR	PHI 1 - 9 SLO
Session 7	27 APR 20:00	ISR 6 - 8 JPN	EST 1 - 19 FIN	ENG 15 - 3 NED	CAN 15 - 2 POR	GER 9 - 6 NZL	WAL 7 - 8 BEL
Session 8	28 APR 8:00	NGR 2 - 13 NOR	FRA 3 - 7 LAT	AUS 6 - 10 SUI	PHI 1 - 12 CZE	SLO 10 - 8 ^{EE} POL	ITA 2 - 9 SWE
Session 10	28 APR 16:00	ENG 2 - 8 CAN	WAL 8 - 5 IRL	JPN 8 - 2 EST	FIN 9 - 3 ISR	POR 6 - 5 BEL	
Session 11	28 APR 20:00			DEN 4 - 9 GER	NZL 1 - 8 SCO	KOR 12 - 1 ESP	
Session 12	29 APR 8:00	USA 5 - 2 ISR	HUN 9 - 2 EST	IRL 3 - 8 ENG	POR 4 - 7 NED		CAN 11 - 2 WAL
Session 13	29 APR 12:00			SCO 5 - 3 KOR			JPN 4 - 8 FIN
Session 14	29 APR 16:00	SLO 3 - 4 AUS	NZL 4 - 9 DEN	WAL 3 - 7 POR	GER 12 - 0 ESP	PHI 2 - 10 SUI	CZE 9 - 3 POL
Session 15	29 APR 20:00		NGR 1 - 12 ITA		NOR 3 - 5 LAT	SWE 9 - 2 FRA	
Session 16	30 APR 8:00	BEL 3 - 8 NED		NZL 6 - 5 ESP			
Session 17	30 APR 12:00		KOR 3 - 7 GER	HUN 6 - 5 ISR		IRL 4 - 9 CAN	EST 2 - 14 USA
Session 18	30 APR 16:00		BEL 6 - 14 ENG	LAT 6 - 7 ITA	SWE 16 - 0 NGR	NED 6 - 7 ^{EE} WAL	NOR 16 - 4 FRA
Session 19	30 APR 20:00				SCO 17 - 1 DEN		
Session 20	1 MAY 8:00			FIN 7 - 1 USA	BEL 4 - 7 IRL	HUN 8 - 3 JPN	POR 4 - 6 ENG
Session 21	1 MAY 12:00		NED 2 - 14 CAN	POL 7 - 4 PHI	SUI 8 - 4 SLO	CZE 8 - 4 AUS	
Qualifications	1 MAY 20:00		CZE 11 - 7 SWE	POL 1 - 12 GER	USA 8 - 3 HUN	ENG 2 - 10 SCO	
Quarter-finals	2 MAY 13:00		CAN 6 - 5 GER	CZE 2 - 5 FIN	SUI 3 - 8 SCO	NOR 3 - 6 USA	
Semi-finals	2 MAY 19:30		SCO 10 - 1 USA			FIN 3 - 6 CAN	
Finals	3 MAY 10:00			SCO 7 - 10 CAN	USA 6 - 5 FIN		



Competition Summary

Standings after Round Robin

Group A							Group B						
Rank	Team	Games	Wins	Losses		DSC	Rank	Team	Games	Wins	Losses		DSC
1	CAN - Canada	6	6	0	Q	55.66cm	1	FIN - Finland	5	5	0	Q	36.58cm
2	ENG - England	6	5	1	Q	104.67cm	2	USA - United States	5	4	1	Q	33.79cm
3	POR - Portugal	6	3	3		98.84cm	3	HUN - Hungary	5	3	2	Q	52.71cm
4	WAL - Wales	6	2	4	w2		4	JPN - Japan	5	2	3		
5	IRL - Ireland	6	2	4	w1		5	ISR - Israel	5	1	4		
6	NED - Netherlands	6	2	4	w0		6	EST - Estonia	5	0	5		
7	BEL - Belgium	6	1	5									

Group C							Group D						
Rank	Team	Games	Wins	Losses		DSC	Rank	Team	Games	Wins	Losses		DSC
1	NOR - Norway	5	4	1	Q w1	55.18cm	1	GER - Germany	5	5	0	Q	73.52cm
2	SWE - Sweden	5	4	1	Q w0	57.01cm	2	SCO - Scotland	5	4	1	Q	49.57cm
3	ITA - Italy	5	3	2	w1	87.12cm	3	KOR - Korea	5	3	2		128.22cm
4	LAT - Latvia	5	3	2	w0		4	DEN - Denmark	5	2	3		
5	FRA - France	5	1	4			5	NZL - New Zealand	5	1	4		
6	NGR - Nigeria	5	0	5			6	ESP - Spain	5	0	5		

Group E						
Rank	Team	Games	Wins	Losses		DSC
1	SUI - Switzerland	5	4	1	Q w1	41.61cm
2	CZE - Czechia	5	4	1	Q w0	68.78cm
3	POL - Poland	5	3	2	Q	78.70cm
4	AUS - Australia	5	2	3	w1	
5	SLO - Slovenia	5	2	3	w0	
6	PHI - Philippines	5	0	5		

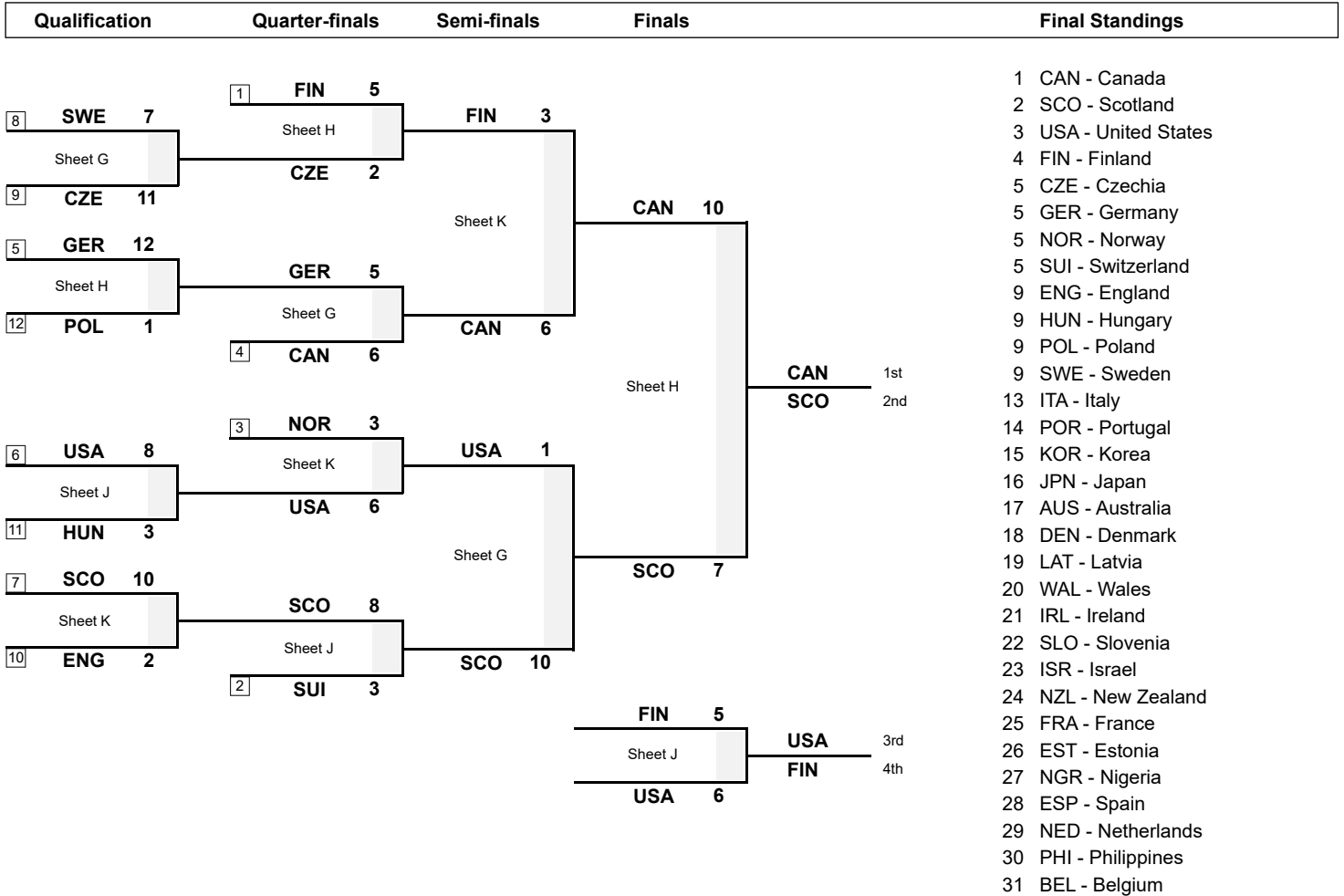
Merged Group Standings

Rank	Team	Round Robin Results			Rank	Team	Round Robin Results			Rank	Team	Round Robin Results		
		Group Rank		DSC			Group Rank		DSC			Group Rank		DSC
1	FIN - Finland	B	1	36.58cm	12	POL - Poland	E	3	78.70cm	23	ISR - Israel	B	5	81.54cm
2	SUI - Switzerland	E	1	41.61cm	13	ITA - Italy	C	3	87.12cm	24	NZL - New Zealand	D	5	86.48cm
3	NOR - Norway	C	1	55.18cm	14	POR - Portugal	A	3	98.84cm	25	FRA - France	C	5	100.78cm
4	CAN - Canada	A	1	55.66cm	15	KOR - Korea	D	3	128.22cm	26	EST - Estonia	B	6	96.18cm
5	GER - Germany	D	1	73.52cm	16	JPN - Japan	B	4	56.06cm	27	NGR - Nigeria	C	6	109.29cm
6	USA - United States	B	2	33.79cm	17	AUS - Australia	E	4	58.49cm	28	ESP - Spain	D	6	115.32cm
7	SCO - Scotland	D	2	49.57cm	18	DEN - Denmark	D	4	90.74cm	29	NED - Netherlands	A	6	127.72cm
8	SWE - Sweden	C	2	57.01cm	19	LAT - Latvia	C	4	104.84cm	30	PHI - Philippines	E	6	150.09cm
9	CZE - Czechia	E	2	68.78cm	20	WAL - Wales	A	4	107.53cm	31	BEL - Belgium	A	7	152.93cm
10	ENG - England	A	2	104.67cm	21	IRL - Ireland	A	5	69.76cm					
11	HUN - Hungary	B	3	52.71cm	22	SLO - Slovenia	E	5	76.96cm					



Competition Summary

Play-offs Bracket



Legend:

DSC Draw Shot Challenge

EE Extra End

Q Qualified for the play-offs

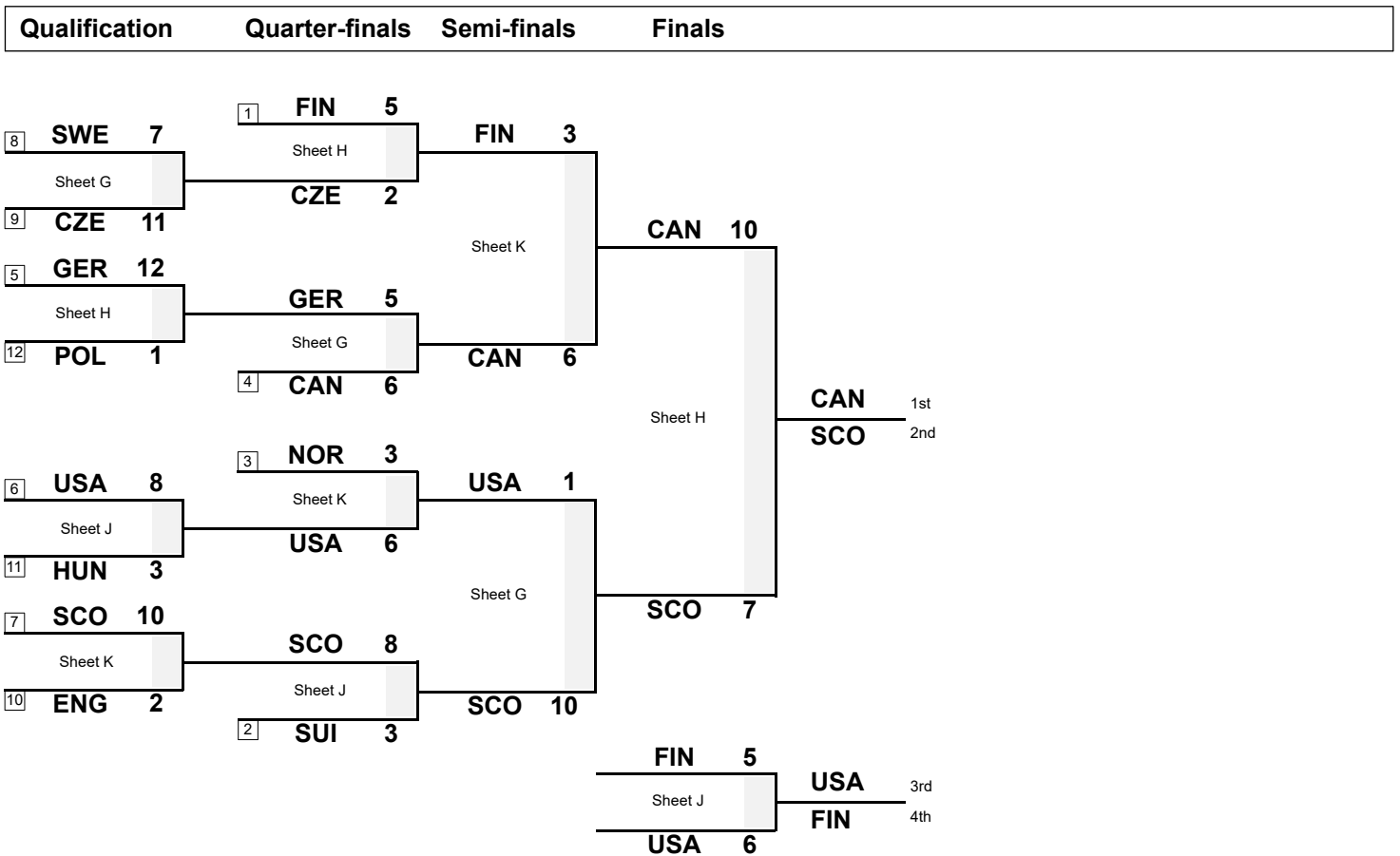
wn Number of wins (n) against tied teams



Session Results and Standings

Sheet	Team	LSD/LSFE	1	2	3	4	5	6	7	8	Extra Ends	Total
H	SCO - Scotland	222.9cm	3	0	2	0	0	2	0	0		7
	CAN - Canada	172.8cm *	0	3	0	3	0	0	3	1		10
J	USA - United States	32.0cm *	0	2	0	1	1	0	1	1		6
	FIN - Finland	298.6cm	2	0	2	0	0	1	0	0		5

Play-offs Bracket



Legend:
LSD Last Stone Draw LSFE(*) Last Stone First End

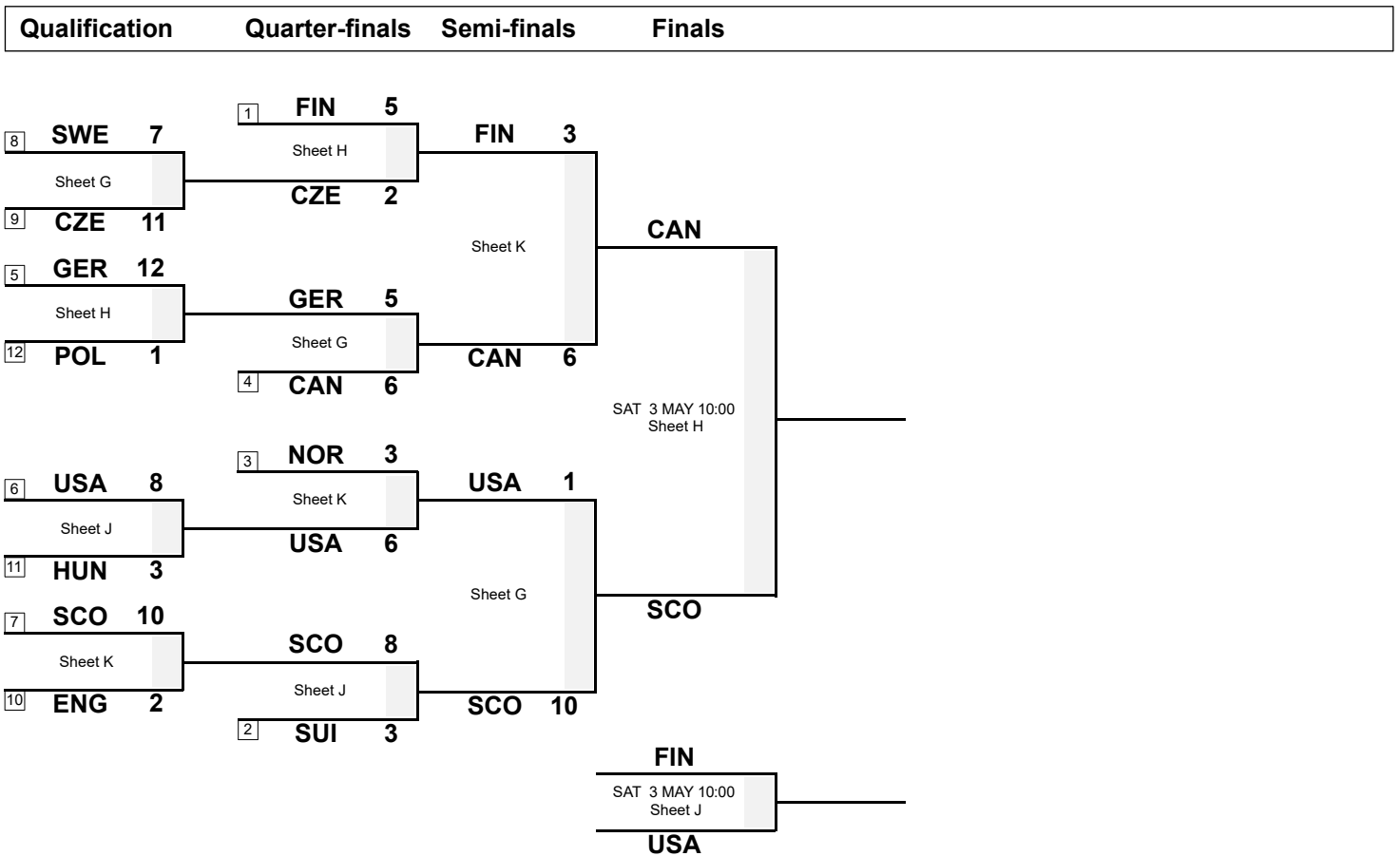




Session Results and Standings

Sheet	Team	LSD/LSFE	1	2	3	4	5	6	7	8	Extra Ends	Total
G	SCO - Scotland	46.8cm *	0	0	2	1	0	3	4	X		10
	USA - United States	93.3cm	0	0	0	0	1	0	0	X		1
K	FIN - Finland	33.9cm	0	0	0	2	0	1	0	0		3
	CAN - Canada	28.3cm *	1	0	1	0	2	0	1	1		6

Play-offs Bracket



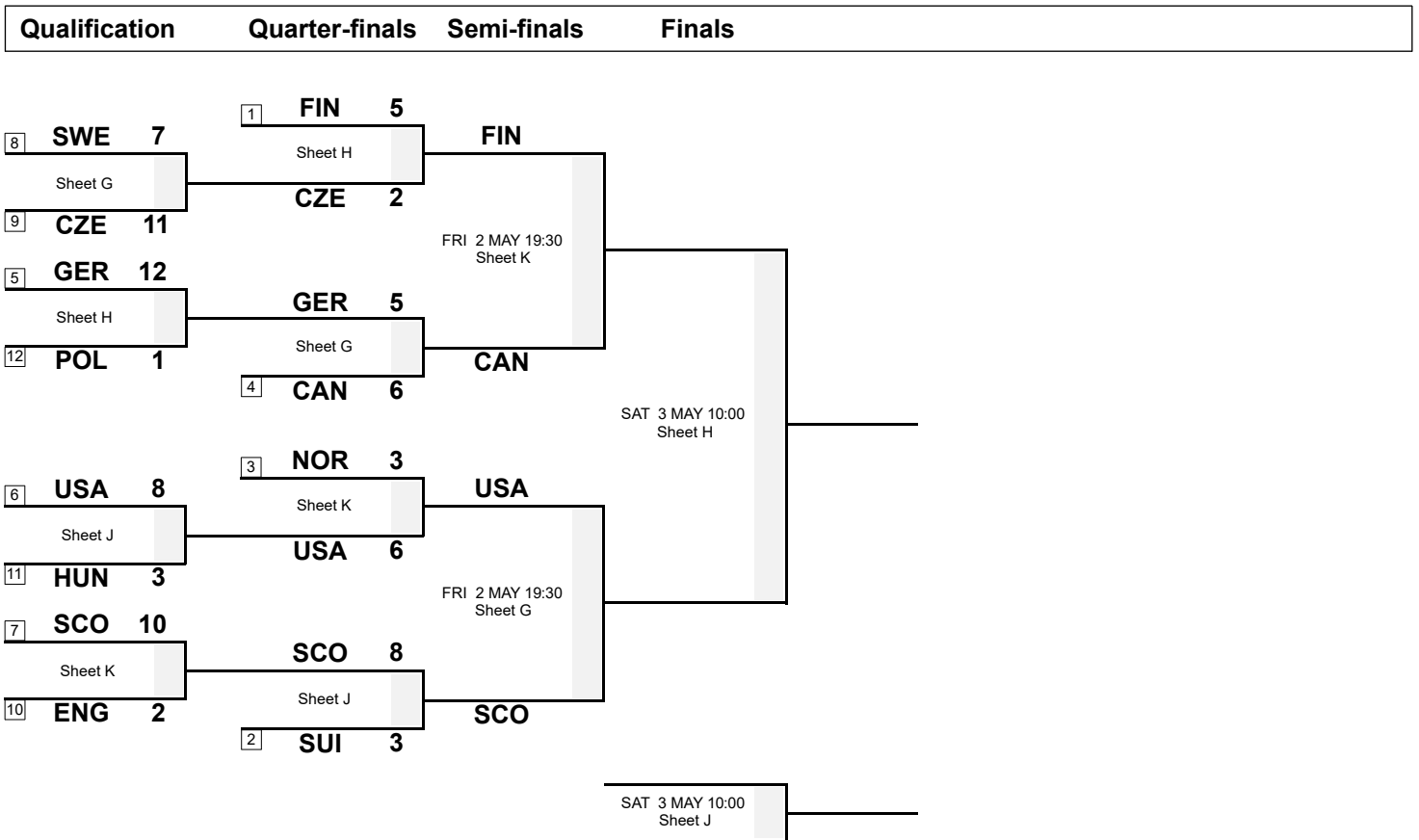
Legend:	LSD Last Stone Draw	LSFE(*) Last Stone First End	X Unplayed/unfinished end due to concession
----------------	----------------------------	-------------------------------------	--



Session Results and Standings

Sheet	Team	LSD/LSFE	1	2	3	4	5	6	7	8	Extra Ends	Total
G	CAN - Canada	55.9cm *	0	0	2	0	1	3	0	0		6
	GER - Germany	152.6cm	0	0	0	3	0	0	2	0		5
H	CZE - Czechia	182.8cm	0	0	1	0	0	0	1	X		2
	FIN - Finland	122.2cm *	1	1	0	1	0	2	0	X		5
J	SUI - Switzerland	99.8cm *	0	0	2	0	1	0	0	X		3
	SCO - Scotland	189.3cm	0	1	0	3	0	2	2	X		8
K	NOR - Norway	75.9cm *	1	0	0	0	0	1	0	1		3
	USA - United States	117.0cm	0	2	1	0	1	0	2	0		6

Play-offs Bracket



Legend:	LSD Last Stone Draw	LSFE(*) Last Stone First End	X Unplayed/unfinished end due to concession
----------------	----------------------------	-------------------------------------	--

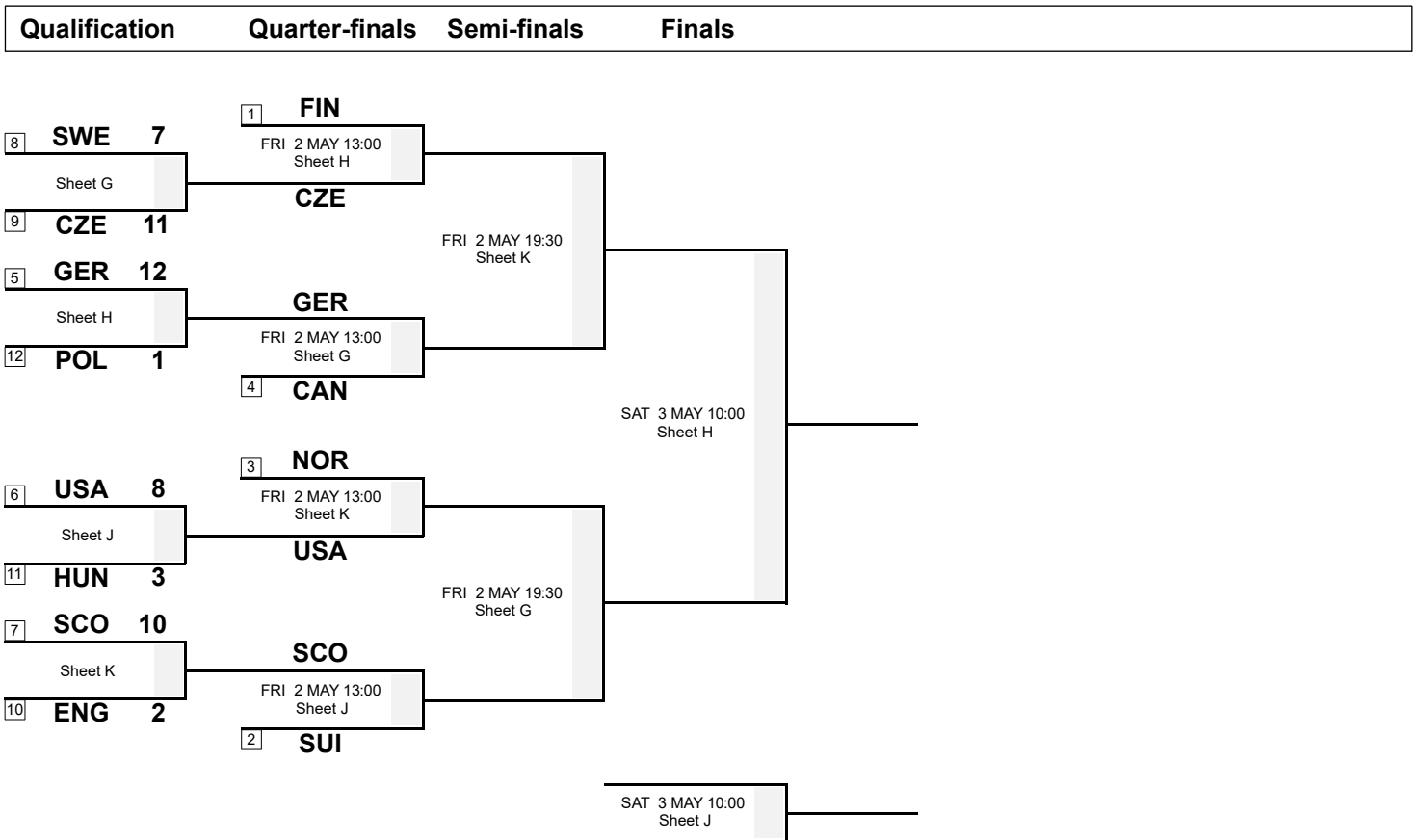




Session Results and Standings

Sheet	Team	LSD/LSFE	1	2	3	4	5	6	7	8	Extra Ends	Total
G	CZE - Czechia	57.7cm *	0	1	1	0	2	0	4	3		11
	SWE - Sweden	395.6cm	3	0	0	2	0	2	0	0		7
H	POL - Poland	29.6cm *	0	0	0	1	0	0	X	X		1
	GER - Germany	109.2cm	3	3	3	0	2	1	X	X		12
J	USA - United States	55.1cm *	2	1	2	0	3	0	X	X		8
	HUN - Hungary	57.0cm	0	0	0	2	0	1	X	X		3
K	ENG - England	50.6cm	1	0	0	1	0	0	X	X		2
	SCO - Scotland	49.3cm *	0	2	4	0	2	2	X	X		10

Play-offs Bracket



Legend:	LSD Last Stone Draw	LSFE(*) Last Stone First End	X Unplayed/unfinished end due to concession
----------------	----------------------------	-------------------------------------	--



Competition Matrix

Group A

Team	BEL	CAN	ENG	IRL	NED	POR	WAL
BEL		3 - 6	6 - 14	4 - 7	3 - 8	5 - 6	8 - 7
CAN	6 - 3		8 - 2	9 - 4	14 - 2	15 - 2	11 - 2
ENG	14 - 6	2 - 8		8 - 3	15 - 3	6 - 4	12 - 5
IRL	7 - 4	4 - 9	3 - 8		12 - 7	5 - 6	5 - 8
NED	8 - 3	2 - 14	3 - 15	7 - 12		7 - 4	6 - 7
POR	6 - 5	2 - 15	4 - 6	6 - 5	4 - 7		7 - 3
WAL	7 - 8	2 - 11	5 - 12	8 - 5	7 - 6	3 - 7	

Standings after Round Robin

Rank	Team	Games	Wins	Losses		
1	CAN - Canada	6	6	0	Q	DSC 55.66cm
2	ENG - England	6	5	1	Q	DSC 104.67cm
3	POR - Portugal	6	3	3		DSC 98.84cm
4	WAL - Wales	6	2	4		w2
5	IRL - Ireland	6	2	4		w1
6	NED - Netherlands	6	2	4		w0
7	BEL - Belgium	6	1	5		



Competition Matrix

Group B

Team	EST	FIN	HUN	ISR	JPN	USA
EST		1 - 19	2 - 9	1 - 11	2 - 8	2 - 14
FIN	19 - 1		7 - 3	9 - 3	8 - 4	7 - 1
HUN	9 - 2	3 - 7		6 - 5	8 - 3	4 - 8
ISR	11 - 1	3 - 9	5 - 6		6 - 8	2 - 5
JPN	8 - 2	4 - 8	3 - 8	8 - 6		4 - 12
USA	14 - 2	1 - 7	8 - 4	5 - 2	12 - 4	

Standings after Round Robin

Rank	Team	Games	Wins	Losses		
1	FIN - Finland	5	5	0	Q	DSC 36.58cm
2	USA - United States	5	4	1	Q	DSC 33.79cm
3	HUN - Hungary	5	3	2	Q	DSC 52.71cm
4	JPN - Japan	5	2	3		
5	ISR - Israel	5	1	4		
6	EST - Estonia	5	0	5		



Competition Matrix

Group C

Team	FRA	ITA	LAT	NGR	NOR	SWE
FRA		7 - 9	3 - 7	9 - 2	4 - 16	2 - 9
ITA	9 - 7		7 - 6	12 - 1	2 - 9	2 - 9
LAT	7 - 3	6 - 7		8 - 3	5 - 3	2 - 7
NGR	2 - 9	1 - 12	3 - 8		2 - 13	0 - 16
NOR	16 - 4	9 - 2	3 - 5	13 - 2		7 - 3
SWE	9 - 2	9 - 2	7 - 2	16 - 0	3 - 7	

Standings after Round Robin

Rank	Team	Games	Wins	Losses				
1	NOR - Norway	5	4	1	Q	w1	DSC	55.18cm
2	SWE - Sweden	5	4	1	Q	w0	DSC	57.01cm
3	ITA - Italy	5	3	2		w1	DSC	87.12cm
4	LAT - Latvia	5	3	2		w0		
5	FRA - France	5	1	4				
6	NGR - Nigeria	5	0	5				



Competition Matrix

Group D

Team	DEN	ESP	GER	KOR	NZL	SCO
DEN		11 - 6	4 - 9	4 - 8	9 - 4	1 - 17
ESP	6 - 11		0 - 12	1 - 12	5 - 6	2 - 11
GER	9 - 4	12 - 0		7 - 3	9 - 6	5 - 3
KOR	8 - 4	12 - 1	3 - 7		7 - 2	3 - 5
NZL	4 - 9	6 - 5	6 - 9	2 - 7		1 - 8
SCO	17 - 1	11 - 2	3 - 5	5 - 3	8 - 1	

Standings after Round Robin

Rank	Team	Games	Wins	Losses		
1	GER - Germany	5	5	0	Q	DSC 73.52cm
2	SCO - Scotland	5	4	1	Q	DSC 49.57cm
3	KOR - Korea	5	3	2		DSC 128.22cm
4	DEN - Denmark	5	2	3		
5	NZL - New Zealand	5	1	4		
6	ESP - Spain	5	0	5		



Competition Matrix

Group E

Team	AUS	CZE	PHI	POL	SLO	SUI
AUS		4 - 8	7 - 3	5 - 8	4 - 3	6 - 10
CZE	8 - 4		12 - 1	9 - 3	16 - 1	3 - 8
PHI	3 - 7	1 - 12		4 - 7	1 - 9	2 - 10
POL	8 - 5	3 - 9	7 - 4		8 - 10	6 - 5
SLO	3 - 4	1 - 16	9 - 1	10 - 8		4 - 8
SUI	10 - 6	8 - 3	10 - 2	5 - 6	8 - 4	

Standings after Round Robin

Rank	Team	Games	Wins	Losses				
1	SUI - Switzerland	5	4	1	Q	w1	DSC	41.61cm
2	CZE - Czechia	5	4	1	Q	w0	DSC	68.78cm
3	POL - Poland	5	3	2	Q		DSC	78.70cm
4	AUS - Australia	5	2	3		w1		
5	SLO - Slovenia	5	2	3		w0		
6	PHI - Philippines	5	0	5				

Legend:	DSC Draw Shot Challenge	Q Qualified for the play-offs	wn Number of wins (n) against tied teams
----------------	--------------------------------	--------------------------------------	---



Draw Shot Challenge by Group

Group A		Stone Rotation	Last Stone Draw in each Round Robin Game						DSC
Rank	Team		1	2	3	4	5	6	
1	CAN - Canada	↻	13.2	78.3	16.5	163.1	21.1	119.2	55.66cm
		↻	42.9	142.1	39.1	113.4	34.3	10.5	
2	IRL - Ireland	↻	168.1	43.7	17.1	76.3	124.4	78.5	69.76cm
		↻	55.9	48.8	160.2	32.7	68.7	48.2	
3	POR - Portugal	↻	71.1	88.9	199.6	33.7	160.0	151.6	98.84cm
		↻	199.6	26.8	46.6	138.7	124.2	30.4	
4	ENG - England	↻	157.1	194.0	90.0	22.5	199.6	199.6	104.67cm
		↻	199.6	85.0	66.7	49.7	77.4	115.6	
5	WAL - Wales	↻	199.6	177.9	199.6	28.3	67.0	31.0	107.53cm
		↻	62.9	49.9	63.6	119.0	199.6	98.0	
6	NED - Netherlands	↻	159.3	124.6	52.9	118.6	102.8	98.6	127.72cm
		↻	199.6	84.3	199.6	199.6	107.8	112.9	
7	BEL - Belgium	↻	181.3	120.7	199.6	199.6	105.0	175.8	152.93cm
		↻	199.6	199.6	57.4	113.6	199.6	91.4	

Group B		Stone Rotation	Last Stone Draw in each Round Robin Game					DSC
Rank	Team		1	2	3	4	5	
1	USA - United States	↻	37.6	115.9	51.4	8.8	66.4	33.79cm
		↻	23.1	39.4	29.1	7.5	40.8	
2	FIN - Finland	↻	31.6	62.3	74.0	11.6	23.6	36.58cm
		↻	71.3	34.3	22.8	29.2	42.5	
3	HUN - Hungary	↻	3.9	26.2	24.5	199.6	45.1	52.71cm
		↻	38.8	62.2	27.5	46.6	199.6	
4	JPN - Japan	↻	65.5	91.2	24.5	18.7	134.2	56.06cm
		↻	81.8	49.5	19.1	199.6	20.0	
5	ISR - Israel	↻	29.1	62.4	20.1	199.6	23.1	81.54cm
		↻	199.6	51.3	56.1	199.6	92.6	
6	EST - Estonia	↻	34.0	21.3	98.0	41.3	114.9	96.18cm
		↻	101.0	199.6	199.6	199.6	55.9	



Draw Shot Challenge by Group

Group C		Stone Rotation	Last Stone Draw in each Round Robin Game					DSC
Rank	Team		1	2	3	4	5	
1	NOR - Norway	↻	199.6	38.5	12.1	67.9	24.1	55.18cm
		↻	58.4	159.4	42.8	15.8	77.6	
2	SWE - Sweden	↻	48.1	114.3	199.6	7.8	159.1	57.01cm
		↻	13.6	47.3	53.3	29.7	39.9	
3	ITA - Italy	↻	199.6	146.0	74.8	75.5	22.5	87.12cm
		↻	46.2	199.6	69.5	50.1	99.9	
4	FRA - France	↻	199.6	105.7	41.7	199.6	62.1	100.78cm
		↻	41.0	199.6	23.3	48.3	185.7	
5	LAT - Latvia	↻	58.1	80.0	199.6	199.6	60.7	104.84cm
		↻	199.6	84.6	101.8	98.0	61.2	
6	NGR - Nigeria	↻	199.6	168.0	1.3	199.6	102.9	109.29cm
		↻	69.0	199.6	80.1	108.3	54.8	

Group D		Stone Rotation	Last Stone Draw in each Round Robin Game					DSC
Rank	Team		1	2	3	4	5	
1	SCO - Scotland	↻	18.7	153.2	101.3	20.7	8.7	49.57cm
		↻	37.1	42.4	171.9	32.9	31.1	
2	GER - Germany	↻	115.9	108.6	59.0	114.9	27.2	73.52cm
		↻	61.1	20.7	121.1	33.2	160.0	
3	NZL - New Zealand	↻	56.8	48.1	57.5	161.9	63.5	86.48cm
		↻	42.7	24.8	199.6	161.2	161.8	
4	DEN - Denmark	↻	47.2	30.7	199.6	49.3	106.2	90.74cm
		↻	37.5	199.6	90.1	199.6	56.5	
5	ESP - Spain	↻	112.7	199.6	199.6	48.6	103.4	115.32cm
		↻	64.6	199.6	74.7	51.9	182.8	
6	KOR - Korea	↻	199.6	148.2	132.8	18.2	91.1	128.22cm
		↻	199.6	170.1	76.2	126.5	191.3	

Group E		Stone Rotation	Last Stone Draw in each Round Robin Game					DSC
Rank	Team		1	2	3	4	5	
1	SUI - Switzerland	↻	16.5	15.4	40.2	68.1	19.5	41.61cm
		↻	79.1	29.1	32.3	139.1	74.3	
2	AUS - Australia	↻	44.9	37.7	108.9	6.1	57.5	58.49cm
		↻	92.8	87.1	54.7	199.6	36.7	
3	CZE - Czechia	↻	96.6	37.6	199.6	167.1	29.4	68.78cm
		↻	74.8	32.3	105.8	38.1	37.3	
4	SLO - Slovenia	↻	70.5	32.9	119.3	199.6	13.8	76.96cm
		↻	199.6	150.9	35.0	40.3	30.3	
5	POL - Poland	↻	199.6	199.6	175.9	101.6	29.9	78.70cm
		↻	55.8	26.2	28.6	8.7	82.0	
6	PHI - Philippines	↻	149.4	199.6	102.8	199.6	199.6	150.09cm
		↻	199.6	118.6	131.0	50.6	199.6	



WSSC 2025
Fredericton, NB, Canada

World Senior Curling Championships 2025
Willie O'Ree Place
Men





After Round Robin

**WORLD
CURLING**

Draw Shot Challenge by Group

Note:
The Draw Shot Challenge (DSC) is the average distance of all the individual Last Stone Draws (LSD), which were delivered by a team during the round robin. Since the groups are of differing sizes, to ensure the DSC is calculated the same way, only the LSDs from the first 'equal number' of games will be used. The single least favourable result will be eliminated before calculating the average distance. The team with the lesser DSC receives the higher ranking. If the DSCs are equal then the team with the best non-equal counting LSD receives the higher ranking. In the case where all counting LSDs are equal, the team ranked higher in the official World Curling World Ranking is ranked higher.

Legend:
 Clockwise  Counter-clockwise **DSC** Draw Shot Challenge
nnn.n Eliminated Last Stone Draw



Scoring Analysis

Team	Games	LSFE	Stolen Ends	Last Stone Eff.	Force Eff.	Points Scored							Total	Plus / Minus
						0	1	2	3	4	>4			
CAN	For	4	9	67%	100%	1	4	6	6	6	1	63	+48	
	Against	2	4			3	15	0	0	0	0	15		
FIN	For	3	10	64%	80%	1	7	6	3	3	2	50	+38	
	Against	2	0			1	8	2	0	0	0	12		
NOR	For	3	9	47%	80%	0	7	6	3	2	2	48	+32	
	Against	2	4			1	12	2	0	0	0	16		
SCO	For	4	10	64%	78%	2	7	6	3	4	0	44	+32	
	Against	1	1			2	8	2	0	0	0	12		
CZE	For	2	14	60%	50%	1	5	8	5	3	0	48	+31	
	Against	3	3			0	6	4	1	0	0	17		
SWE	For	3	14	42%	67%	0	12	6	2	1	2	44	+31	
	Against	2	3			1	6	2	1	0	0	13		
ENG	For	2	9	56%	53%	2	9	5	4	4	2	57	+28	
	Against	4	3			0	9	7	2	0	0	29		
GER	For	2	10	50%	56%	3	8	5	2	2	2	42	+26	
	Against	3	3			1	8	4	0	0	0	16		
USA	For	3	3	60%	80%	4	2	4	3	4	1	40	+21	
	Against	2	4			1	10	3	1	0	0	19		
SUI	For	4	6	59%	62%	0	8	7	5	1	0	41	+20	
	Against	1	2			1	10	4	1	0	0	21		
KOR	For	1	7	57%	70%	2	8	6	3	1	0	33	+14	
	Against	4	3			2	8	4	1	0	0	19		
HUN	For	3	6	27%	33%	0	12	4	2	1	0	30	+5	
	Against	2	2			2	6	6	1	1	0	25		
LAT	For	2	6	53%	82%	2	6	8	2	0	0	28	+5	
	Against	3	7			0	15	2	0	1	0	23		
ITA	For	3	8	25%	40%	0	10	4	3	0	1	32	0	
	Against	2	6			0	7	4	4	0	1	32		
POL	For	3	2	43%	46%	2	7	6	3	1	0	32	-1	
	Against	2	6			0	8	8	3	0	0	33		
ISR	For	4	4	26%	55%	1	8	6	1	1	0	27	-2	
	Against	1	7			1	10	6	1	1	0	29		
AUS	For	2	5	33%	36%	1	6	7	2	0	0	26	-6	
	Against	3	8			2	9	8	1	1	0	32		
IRL	For	4	3	23%	56%	0	11	2	3	3	0	36	-6	
	Against	2	10			1	15	8	1	2	0	42		
JPN	For	2	6	31%	42%	0	11	5	2	0	0	27	-9	
	Against	3	4			2	6	5	1	3	1	36		
SLO	For	3	8	28%	50%	0	12	6	1	0	0	27	-10	
	Against	2	7			1	7	2	6	2	0	37		



Scoring Analysis

Team	Games	LSFE	Stolen Ends	Last Stone Eff.	Force Eff.	Points Scored						Total	Plus / Minus	
						0	1	2	3	4	>4			
POR	6	For	4	6	18%	40%	2	16	5	1	0	0	29	-12
		Against	2	6			1	10	6	2	2	1	41	
DEN	5	For	3	4	44%	17%	0	6	5	3	1	0	29	-15
		Against	2	7			0	6	6	3	3	1	44	
WAL	6	For	5	7	19%	42%	0	13	5	3	0	0	32	-17
		Against	1	12			0	9	9	2	4	0	49	
FRA	5	For	3	5	28%	23%	0	10	6	1	0	0	25	-18
		Against	2	6			0	6	7	3	2	1	43	
BEL	6	For	1	5	30%	41%	2	9	7	2	0	0	29	-19
		Against	5	7			2	11	4	7	2	0	48	
NZL	5	For	4	4	21%	20%	0	11	4	0	0	0	19	-19
		Against	1	8			2	7	6	2	2	1	38	
NED	6	For	1	11	30%	36%	0	15	7	0	1	0	33	-22
		Against	5	8			0	8	3	5	4	2	55	
PHI	5	For	1	1	5%	25%	0	9	1	0	0	0	11	-34
		Against	4	10			0	7	9	4	2	0	45	
ESP	5	For	1	1	9%	20%	0	6	1	2	0	0	14	-38
		Against	4	14			0	9	5	7	3	0	52	
NGR	5	For	1	1	0%	11%	0	8	0	0	0	0	8	-50
		Against	4	17			0	7	13	3	0	3	58	
EST	5	For	0	1	5%	30%	1	6	1	0	0	0	8	-53
		Against	5	13			0	6	4	7	4	2	61	
Total	81			195			27	269	155	70	39	13	1,012	

Note:
 Stolen ends are the ends won without the last stone advantage.
 Last Stone Efficiency: Scoring two or more points with last stone advantage.
 Force Efficiency: Forcing the opponent team to score only one point when they have the last stone advantage.

Legend:
>4 More than four points scored **Eff.** Efficiency **LSFE** Last Stone First End



Summary of Big Ends

Points Scored	By	Against	Session	End	Game Result
6	NOR - Norway	FRA - France	18	5	16 : 4
6	NOR - Norway	NGR - Nigeria	8	1	13 : 2
5	ENG - England	NED - Netherlands	7	7	15 : 3
5	ENG - England	NED - Netherlands	7	2	15 : 3
5	FIN - Finland	EST - Estonia	7	4	19 : 1
5	FIN - Finland	EST - Estonia	7	3	19 : 1
5	GER - Germany	DEN - Denmark	11	7	9 : 4
5	GER - Germany	NZL - New Zealand	7	3	9 : 6
5	SWE - Sweden	NGR - Nigeria	18	6	16 : 0
5	SWE - Sweden	ITA - Italy	8	6	9 : 2
5	CAN - Canada	POR - Portugal	7	6	15 : 2
5	ITA - Italy	NGR - Nigeria	15	2	12 : 1
5	USA - United States	JPN - Japan	3	1	12 : 4
4	CAN - Canada	NED - Netherlands	21	3	14 : 2
4	CAN - Canada	NED - Netherlands	21	2	14 : 2
4	CAN - Canada	IRL - Ireland	17	2	9 : 4
4	CAN - Canada	WAL - Wales	12	5	11 : 2
4	CAN - Canada	WAL - Wales	12	1	11 : 2
4	CAN - Canada	POR - Portugal	7	3	15 : 2
4	ENG - England	BEL - Belgium	18	6	14 : 6
4	ENG - England	BEL - Belgium	18	1	14 : 6
4	ENG - England	WAL - Wales	2	7	12 : 5
4	ENG - England	WAL - Wales	2	2	12 : 5
4	SCO - Scotland	DEN - Denmark	19	3	17 : 1
4	SCO - Scotland	DEN - Denmark	19	2	17 : 1
4	SCO - Scotland	DEN - Denmark	19	1	17 : 1
4	SCO - Scotland	ESP - Spain	5	2	11 : 2
4	USA - United States	EST - Estonia	17	4	14 : 2
4	USA - United States	EST - Estonia	17	1	14 : 2
4	USA - United States	HUN - Hungary	5	5	8 : 4
4	USA - United States	JPN - Japan	3	7	12 : 4
4	CZE - Czechia	PHI - Philippines	8	3	12 : 1
4	CZE - Czechia	PHI - Philippines	8	1	12 : 1
4	CZE - Czechia	SLO - Slovenia	1	1	16 : 1
4	FIN - Finland	JPN - Japan	13	1	8 : 4
4	FIN - Finland	ISR - Israel	10	6	9 : 3
4	FIN - Finland	EST - Estonia	7	1	19 : 1
4	IRL - Ireland	NED - Netherlands	3	6	12 : 7



Summary of Big Ends

Points Scored	By	Against	Session	End	Game Result
4	IRL - Ireland	NED - Netherlands	3	1	12 : 7
4	IRL - Ireland	POR - Portugal	2	1	5 : 6
4	GER - Germany	ESP - Spain	14	6	12 : 0
4	GER - Germany	NZL - New Zealand	7	6	9 : 6
4	NOR - Norway	FRA - France	18	2	16 : 4
4	NOR - Norway	FRA - France	18	1	16 : 4
4	DEN - Denmark	NZL - New Zealand	14	4	9 : 4
4	HUN - Hungary	JPN - Japan	20	4	8 : 3
4	ISR - Israel	EST - Estonia	2	6	11 : 1
4	KOR - Korea	ESP - Spain	11	4	12 : 1
4	NED - Netherlands	IRL - Ireland	3	4	7 : 12
4	POL - Poland	SLO - Slovenia	8	2	8 : 10
4	SUI - Switzerland	AUS - Australia	8	3	10 : 6
4	SWE - Sweden	LAT - Latvia	6	1	7 : 2

Note:
Big ends are defined as ends with a score of four or more points.



Session Results and Standings

Sheet	Team	LSD/LSFE	1	2	3	4	5	6	7	8	Extra Ends	Total
G	NED - Netherlands	211.5cm	1	0	0	0	0	1	0	X		2
	CAN - Canada	129.7cm *	0	4	4	1	2	0	3	X		14
H	POL - Poland	111.9cm *	1	0	2	0	1	0	3	X		7
	PHI - Philippines	399.2cm	0	2	0	1	0	1	0	X		4
J	SUI - Switzerland	93.8cm	3	0	0	2	0	3	0	X		8
	SLO - Slovenia	44.1cm *	0	1	1	0	1	0	1	X		4
K	CZE - Czechia	66.7cm *	0	2	2	2	0	2	0	X		8
	AUS - Australia	94.2cm	0	0	0	0	2	0	2	X		4

Standings after Round Robin

Group A

Rank	Team	Games	Wins	Losses	Q	DSC	LSFE
1	CAN - Canada	6	6	0	Q	DSC	55.66cm
2	ENG - England	6	5	1	Q	DSC	104.67cm
3	POR - Portugal	6	3	3		DSC	98.84cm
4	WAL - Wales	6	2	4	w2		
5	IRL - Ireland	6	2	4	w1		
6	NED - Netherlands	6	2	4	w0		
7	BEL - Belgium	6	1	5			

Group B

Rank	Team	Games	Wins	Losses	Q	DSC	LSFE
1	FIN - Finland	5	5	0	Q	DSC	36.58cm
2	USA - United States	5	4	1	Q	DSC	33.79cm
3	HUN - Hungary	5	3	2	Q	DSC	52.71cm
4	JPN - Japan	5	2	3			
5	ISR - Israel	5	1	4			
6	EST - Estonia	5	0	5			

Group C

Rank	Team	Games	Wins	Losses	Q	DSC	LSFE
1	NOR - Norway	5	4	1	Q	w1	DSC 55.18cm
2	SWE - Sweden	5	4	1	Q	w0	DSC 57.01cm
3	ITA - Italy	5	3	2	w1	DSC	87.12cm
4	LAT - Latvia	5	3	2	w0		
5	FRA - France	5	1	4			
6	NGR - Nigeria	5	0	5			

Group D

Rank	Team	Games	Wins	Losses	Q	DSC	LSFE
1	GER - Germany	5	5	0	Q	DSC	73.52cm
2	SCO - Scotland	5	4	1	Q	DSC	49.57cm
3	KOR - Korea	5	3	2		DSC	128.22cm
4	DEN - Denmark	5	2	3			
5	NZL - New Zealand	5	1	4			
6	ESP - Spain	5	0	5			

Group E

Rank	Team	Games	Wins	Losses	Q	DSC	LSFE
1	SUI - Switzerland	5	4	1	Q	w1	DSC 41.61cm
2	CZE - Czechia	5	4	1	Q	w0	DSC 68.78cm
3	POL - Poland	5	3	2	Q	DSC	78.70cm
4	AUS - Australia	5	2	3	w1		
5	SLO - Slovenia	5	2	3	w0		
6	PHI - Philippines	5	0	5			

Legend:	DSC Draw Shot Challenge	LSD Last Stone Draw	LSFE(*) Last Stone First End
Q Qualified for the play-offs	wn Number of wins (n) against tied teams	X Unplayed/unfinished end due to concession	



Session Results and Standings

Sheet	Team	LSD/LSFE	1	2	3	4	5	6	7	8	Extra Ends	Total
H	FIN - Finland	66.1cm *	1	0	2	3	1	0	X	X		7
	USA - United States	107.2cm	0	0	0	0	0	1	X	X		1
J	BEL - Belgium	267.2cm	2	0	1	0	0	1	0	X		4
	IRL - Ireland	126.7cm *	0	1	0	3	2	0	1	X		7
K	HUN - Hungary	244.7cm	2	0	0	4	1	0	1	X		8
	JPN - Japan	154.2cm *	0	1	1	0	0	1	0	X		3
L	POR - Portugal	182.0cm *	1	0	0	0	0	2	0	1		4
	ENG - England	315.2cm	0	0	2	1	1	0	2	0		6

Current Standings

Group A

Rank	Team	Games	Wins	Losses
1	CAN - Canada	5	5	0 Q
2	ENG - England	6	5	1 Q
3	POR - Portugal	6	3	3
4	NED - Netherlands	5	2	3
5	IRL - Ireland	6	2	4
5	WAL - Wales	6	2	4
7	BEL - Belgium	6	1	5

Group B

Rank	Team	Games	Wins	Losses	DSC
1	FIN - Finland	5	5	0 Q	36.58cm
2	USA - United States	5	4	1 Q	33.79cm
3	HUN - Hungary	5	3	2	52.71cm
4	JPN - Japan	5	2	3	
5	ISR - Israel	5	1	4	
6	EST - Estonia	5	0	5	

Group C

Rank	Team	Games	Wins	Losses
1	NOR - Norway	5	4	1 Q w1 DSC 55.18cm
2	SWE - Sweden	5	4	1 Q w0 DSC 57.01cm
3	ITA - Italy	5	3	2 w1 DSC 87.12cm
4	LAT - Latvia	5	3	2 w0
5	FRA - France	5	1	4
6	NGR - Nigeria	5	0	5

Group D

Rank	Team	Games	Wins	Losses	DSC
1	GER - Germany	5	5	0 Q	73.52cm
2	SCO - Scotland	5	4	1 Q	49.57cm
3	KOR - Korea	5	3	2	128.22cm
4	DEN - Denmark	5	2	3	
5	NZL - New Zealand	5	1	4	
6	ESP - Spain	5	0	5	

Group E

Rank	Team	Games	Wins	Losses
1	CZE - Czechia	4	3	1
1	SUI - Switzerland	4	3	1
3	AUS - Australia	4	2	2
3	POL - Poland	4	2	2
3	SLO - Slovenia	4	2	2
6	PHI - Philippines	4	0	4

Note:
Under World Curling rules, tie-breaking rules for standings are not applied until after the last game of the round robin.

Legend:
DSC Draw Shot Challenge **LSD** Last Stone Draw **LSFE(*)** Last Stone First End
Q Qualified for the play-offs **wn** Number of wins (n) against tied teams **X** Unplayed/unfinished end due to concession





Session Results and Standings

Sheet	Team	LSD/LSFE	1	2	3	4	5	6	7	8	Extra Ends	Total
J	SCO - Scotland	39.8cm *	4	4	4	3	0	2	X	X		17
	DEN - Denmark	162.7cm	0	0	0	0	1	0	X	X		1

Current Standings

Group A

Rank	Team	Games	Wins	Losses
1	CAN - Canada	5	5	0 Q
2	ENG - England	5	4	1
3	POR - Portugal	5	3	2
4	NED - Netherlands	5	2	3
5	WAL - Wales	6	2	4
6	BEL - Belgium	5	1	4
6	IRL - Ireland	5	1	4

Group B

Rank	Team	Games	Wins	Losses
1	FIN - Finland	4	4	0 Q
1	USA - United States	4	4	0 Q
3	HUN - Hungary	4	2	2
3	JPN - Japan	4	2	2
5	ISR - Israel	5	1	4
6	EST - Estonia	5	0	5

Group C

Rank	Team	Games	Wins	Losses
1	NOR - Norway	5	4	1 Q
2	SWE - Sweden	5	4	1 Q
3	ITA - Italy	5	3	2
4	LAT - Latvia	5	3	2
5	FRA - France	5	1	4
6	NGR - Nigeria	5	0	5

Group D

Rank	Team	Games	Wins	Losses
1	GER - Germany	5	5	0 Q
2	SCO - Scotland	5	4	1 Q
3	KOR - Korea	5	3	2
4	DEN - Denmark	5	2	3
5	NZL - New Zealand	5	1	4
6	ESP - Spain	5	0	5

Group E

Rank	Team	Games	Wins	Losses
1	CZE - Czechia	4	3	1
1	SUI - Switzerland	4	3	1
3	AUS - Australia	4	2	2
3	POL - Poland	4	2	2
3	SLO - Slovenia	4	2	2
6	PHI - Philippines	4	0	4

Note:
Under World Curling rules, tie-breaking rules for standings are not applied until after the last game of the round robin.

Legend:
DSC Draw Shot Challenge **LSD** Last Stone Draw **LSFE(*)** Last Stone First End
Q Qualified for the play-offs **wn** Number of wins (n) against tied teams **X** Unplayed/unfinished end due to concession





Session Results and Standings

Sheet	Team	LSD/LSFE	1	2	3	4	5	6	7	8	Extra Ends	Total
G	BEL - Belgium	304.6cm	0	2	1	0	3	0	0	X		6
	ENG - England	277.0cm *	4	0	0	3	0	4	3	X		14
H	LAT - Latvia	121.9cm *	0	0	2	0	3	1	0	0		6
	ITA - Italy	122.4cm	2	1	0	1	0	0	2	1		7
J	SWE - Sweden	199.0cm	2	3	2	1	2	5	1	X		16
	NGR - Nigeria	157.7cm *	0	0	0	0	0	0	0	X		0
K	NED - Netherlands	210.6cm	0	0	0	2	2	1	1	0	0	6
	WAL - Wales	129.0cm *	1	1	3	0	0	0	0	1	1	7
L	NOR - Norway	101.7cm *	4	4	0	0	6	0	2	X		16
	FRA - France	247.8cm	0	0	1	1	0	2	0	X		4

Current Standings

Group A					Group B				
Rank	Team	Games	Wins	Losses	Rank	Team	Games	Wins	Losses
1	CAN - Canada	5	5	0 Q	1	FIN - Finland	4	4	0 Q
2	ENG - England	5	4	1	1	USA - United States	4	4	0 Q
3	POR - Portugal	5	3	2	3	HUN - Hungary	4	2	2
4	NED - Netherlands	5	2	3	3	JPN - Japan	4	2	2
5	WAL - Wales	6	2	4	5	ISR - Israel	5	1	4
6	BEL - Belgium	5	1	4	6	EST - Estonia	5	0	5
6	IRL - Ireland	5	1	4					
Group C					Group D				
Rank	Team	Games	Wins	Losses	Rank	Team	Games	Wins	Losses
1	NOR - Norway	5	4	1 Q	1	GER - Germany	5	5	0 Q
2	SWE - Sweden	5	4	1 Q	2	SCO - Scotland	4	3	1
3	ITA - Italy	5	3	2	3	KOR - Korea	5	3	2
4	LAT - Latvia	5	3	2	4	DEN - Denmark	4	2	2
5	FRA - France	5	1	4	5	NZL - New Zealand	5	1	4
6	NGR - Nigeria	5	0	5	6	ESP - Spain	5	0	5
Group E									
Rank	Team	Games	Wins	Losses					
1	CZE - Czechia	4	3	1					
1	SUI - Switzerland	4	3	1					
3	AUS - Australia	4	2	2					
3	POL - Poland	4	2	2					
3	SLO - Slovenia	4	2	2					
6	PHI - Philippines	4	0	4					

Note:
Under World Curling rules, tie-breaking rules for standings are not applied until after the last game of the round robin.

Legend:
DSC Draw Shot Challenge **LSD** Last Stone Draw **LSFE(*)** Last Stone First End
Q Qualified for the play-offs **wn** Number of wins (n) against tied teams **X** Unplayed/unfinished end due to concession





Session Results and Standings

Sheet	Team	LSD/LSFE	1	2	3	4	5	6	7	8	Extra Ends	Total
G	NGR - Nigeria	307.9cm	0	0	0	0	0	1	X	X		1
	ITA - Italy	125.6cm *	1	5	3	2	1	0	X	X		12
J	NOR - Norway	83.7cm *	1	0	0	0	1	0	0	1		3
	LAT - Latvia	297.6cm	0	1	1	1	0	0	2	0		5
K	SWE - Sweden	37.5cm *	2	0	2	3	1	0	1	X		9
	FRA - France	247.9cm	0	1	0	0	0	1	0	X		2

Current Standings

Group A					Group B				
Rank	Team	Games	Wins	Losses	Rank	Team	Games	Wins	Losses
1	CAN - Canada	4	4	0	1	FIN - Finland	4	4	0 Q
2	ENG - England	4	3	1	2	USA - United States	3	3	0
3	POR - Portugal	5	3	2	3	JPN - Japan	4	2	2
4	BEL - Belgium	3	1	2	4	HUN - Hungary	3	1	2
4	NED - Netherlands	3	1	2	5	ISR - Israel	4	1	3
6	IRL - Ireland	4	1	3	6	EST - Estonia	4	0	4
7	WAL - Wales	5	1	4					
Group C					Group D				
Rank	Team	Games	Wins	Losses	Rank	Team	Games	Wins	Losses
1	LAT - Latvia	4	3	1	1	GER - Germany	4	4	0
1	NOR - Norway	4	3	1	2	KOR - Korea	4	3	1
1	SWE - Sweden	4	3	1	2	SCO - Scotland	4	3	1
4	ITA - Italy	4	2	2	4	DEN - Denmark	4	2	2
5	FRA - France	4	1	3	5	ESP - Spain	4	0	4
6	NGR - Nigeria	4	0	4	5	NZL - New Zealand	4	0	4
Group E									
Rank	Team	Games	Wins	Losses					
1	CZE - Czechia	4	3	1					
1	SUI - Switzerland	4	3	1					
3	AUS - Australia	4	2	2					
3	POL - Poland	4	2	2					
3	SLO - Slovenia	4	2	2					
6	PHI - Philippines	4	0	4					

Note:
Under World Curling rules, tie-breaking rules for standings are not applied until after the last game of the round robin.

Legend:
LSD Last Stone Draw **LSFE(*)** Last Stone First End **Q** Qualified for the play-offs
X Unplayed/unfinished end due to concession



Session Results and Standings

Sheet	Team	LSD/LSFE	1	2	3	4	5	6	7	8	Extra Ends	Total
F	USA - United States	80.5cm *	0	1	2	0	2	0	0	X		5
	ISR - Israel	399.2cm	0	0	0	1	0	0	1	X		2
G	HUN - Hungary	52.0cm *	2	3	1	0	0	3	X	X		9
	EST - Estonia	240.9cm	0	0	0	1	1	0	X	X		2
H	IRL - Ireland	109.0cm	0	1	0	0	0	2	0	0		3
	ENG - England	72.2cm *	1	0	1	1	2	0	1	2		8
J	POR - Portugal	172.4cm *	2	0	0	0	1	0	1	0		4
	NED - Netherlands	252.5cm	0	2	1	1	0	2	0	1		7
L	CAN - Canada	276.5cm	4	1	0	0	4	2	X	X		11
	WAL - Wales	147.3cm *	0	0	1	1	0	0	X	X		2

Current Standings

Group A					Group B				
Rank	Team	Games	Wins	Losses	Rank	Team	Games	Wins	Losses
1	CAN - Canada	4	4	0	1	FIN - Finland	3	3	0
2	ENG - England	4	3	1	1	USA - United States	3	3	0
3	POR - Portugal	4	2	2	3	JPN - Japan	3	2	1
4	BEL - Belgium	3	1	2	4	HUN - Hungary	3	1	2
4	NED - Netherlands	3	1	2	5	ISR - Israel	4	1	3
6	IRL - Ireland	4	1	3	6	EST - Estonia	4	0	4
6	WAL - Wales	4	1	3					
Group C					Group D				
Rank	Team	Games	Wins	Losses	Rank	Team	Games	Wins	Losses
1	NOR - Norway	3	3	0	1	GER - Germany	3	3	0
2	LAT - Latvia	3	2	1	1	KOR - Korea	3	3	0
2	SWE - Sweden	3	2	1	3	SCO - Scotland	3	2	1
4	FRA - France	3	1	2	4	DEN - Denmark	3	1	2
4	ITA - Italy	3	1	2	5	ESP - Spain	3	0	3
6	NGR - Nigeria	3	0	3	5	NZL - New Zealand	3	0	3
Group E									
Rank	Team	Games	Wins	Losses					
1	CZE - Czechia	3	2	1					
1	POL - Poland	3	2	1					
1	SLO - Slovenia	3	2	1					
1	SUI - Switzerland	3	2	1					
5	AUS - Australia	3	1	2					
6	PHI - Philippines	3	0	3					

Note:
Under World Curling rules, tie-breaking rules for standings are not applied until after the last game of the round robin.

Legend:
LSD Last Stone Draw **LSFE(*)** Last Stone First End **X** Unplayed/unfinished end due to concession



Session Results and Standings

Sheet	Team	LSD/LSFE	1	2	3	4	5	6	7	8	Extra Ends	Total
H	DEN - Denmark	289.7cm	1	1	0	0	0	2	0	X		4
	GER - Germany	180.1cm *	0	0	2	1	1	0	5	X		9
J	NZL - New Zealand	257.1cm *	0	0	0	0	1	0	X	X		1
	SCO - Scotland	273.2cm	1	2	1	2	0	2	X	X		8
K	KOR - Korea	209.0cm *	3	0	2	4	1	2	X	X		12
	ESP - Spain	274.3cm	0	1	0	0	0	0	X	X		1

Current Standings

Group A					Group B				
Rank	Team	Games	Wins	Losses	Rank	Team	Games	Wins	Losses
1	CAN - Canada	3	3	0	1	FIN - Finland	3	3	0
2	ENG - England	3	2	1	2	USA - United States	2	2	0
2	POR - Portugal	3	2	1	3	JPN - Japan	3	2	1
4	BEL - Belgium	3	1	2	4	ISR - Israel	3	1	2
4	IRL - Ireland	3	1	2	5	HUN - Hungary	2	0	2
4	WAL - Wales	3	1	2	6	EST - Estonia	3	0	3
7	NED - Netherlands	2	0	2					
Group C					Group D				
Rank	Team	Games	Wins	Losses	Rank	Team	Games	Wins	Losses
1	NOR - Norway	3	3	0	1	GER - Germany	3	3	0
2	LAT - Latvia	3	2	1	1	KOR - Korea	3	3	0
2	SWE - Sweden	3	2	1	3	SCO - Scotland	3	2	1
4	FRA - France	3	1	2	4	DEN - Denmark	3	1	2
4	ITA - Italy	3	1	2	5	ESP - Spain	3	0	3
6	NGR - Nigeria	3	0	3	5	NZL - New Zealand	3	0	3
Group E									
Rank	Team	Games	Wins	Losses					
1	CZE - Czechia	3	2	1					
1	POL - Poland	3	2	1					
1	SLO - Slovenia	3	2	1					
1	SUI - Switzerland	3	2	1					
5	AUS - Australia	3	1	2					
6	PHI - Philippines	3	0	3					

Note:
Under World Curling rules, tie-breaking rules for standings are not applied until after the last game of the round robin.

Legend:
LSD Last Stone Draw **LSFE(*)** Last Stone First End **X** Unplayed/unfinished end due to concession



Session Results and Standings

Sheet	Team	LSD/LSFE	1	2	3	4	5	6	7	8	Extra Ends	Total
F	ENG - England	156.7cm	0	0	1	0	1	0	0	X		2
	CAN - Canada	55.6cm *	3	0	0	1	0	2	2	X		8
G	WAL - Wales	263.2cm	1	0	2	0	2	2	0	1		8
	IRL - Ireland	177.3cm *	0	1	0	3	0	0	1	0		5
H	JPN - Japan	43.6cm *	1	0	1	2	1	0	3	X		8
	EST - Estonia	297.6cm	0	2	0	0	0	0	0	X		2
J	FIN - Finland	96.8cm	1	2	0	1	0	4	1	X		9
	ISR - Israel	76.2cm *	0	0	2	0	1	0	0	X		3
K	POR - Portugal	246.2cm *	1	0	0	1	0	1	0	3		6
	BEL - Belgium	257.0cm	0	1	0	0	2	0	2	0		5

Current Standings

Group A					Group B				
Rank	Team	Games	Wins	Losses	Rank	Team	Games	Wins	Losses
1	CAN - Canada	3	3	0	1	FIN - Finland	3	3	0
2	ENG - England	3	2	1	2	USA - United States	2	2	0
2	POR - Portugal	3	2	1	3	JPN - Japan	3	2	1
4	BEL - Belgium	3	1	2	4	ISR - Israel	3	1	2
4	IRL - Ireland	3	1	2	5	HUN - Hungary	2	0	2
4	WAL - Wales	3	1	2	6	EST - Estonia	3	0	3
7	NED - Netherlands	2	0	2					
Group C					Group D				
Rank	Team	Games	Wins	Losses	Rank	Team	Games	Wins	Losses
1	NOR - Norway	3	3	0	1	GER - Germany	2	2	0
2	LAT - Latvia	3	2	1	1	KOR - Korea	2	2	0
2	SWE - Sweden	3	2	1	3	DEN - Denmark	2	1	1
4	FRA - France	3	1	2	3	SCO - Scotland	2	1	1
4	ITA - Italy	3	1	2	5	ESP - Spain	2	0	2
6	NGR - Nigeria	3	0	3	5	NZL - New Zealand	2	0	2
Group E									
Rank	Team	Games	Wins	Losses					
1	CZE - Czechia	3	2	1					
1	POL - Poland	3	2	1					
1	SLO - Slovenia	3	2	1					
1	SUI - Switzerland	3	2	1					
5	AUS - Australia	3	1	2					
6	PHI - Philippines	3	0	3					

Note:
Under World Curling rules, tie-breaking rules for standings are not applied until after the last game of the round robin.

Legend:
LSD Last Stone Draw **LSFE(*)** Last Stone First End **X** Unplayed/unfinished end due to concession





Session Results and Standings

Sheet	Team	LSD/LSFE	1	2	3	4	5	6	7	8	Extra Ends	Total
F	NGR - Nigeria	81.4cm	0	1	0	1	0	0	0	X		2
	NOR - Norway	54.9cm *	6	0	2	0	2	2	1	X		13
G	FRA - France	65.0cm *	0	1	0	0	1	1	0	X		3
	LAT - Latvia	301.4cm	2	0	2	1	0	0	2	X		7
H	AUS - Australia	163.6cm	0	2	0	3	0	1	0	0		6
	SUI - Switzerland	72.5cm *	1	0	4	0	2	0	2	1		10
J	PHI - Philippines	233.8cm *	0	0	0	0	1	0	X	X		1
	CZE - Czechia	305.4cm	4	1	4	1	0	2	X	X		12
K	SLO - Slovenia	154.3cm *	2	0	2	0	2	1	0	1	2	10
	POL - Poland	204.5cm	0	4	0	1	0	0	3	0	0	8
L	ITA - Italy	144.3cm *	0	0	1	0	1	0	X	X		2
	SWE - Sweden	252.9cm	1	1	0	2	0	5	X	X		9

Current Standings

Group A					Group B				
Rank	Team	Games	Wins	Losses	Rank	Team	Games	Wins	Losses
1	CAN - Canada	2	2	0	1	FIN - Finland	2	2	0
1	ENG - England	2	2	0	1	USA - United States	2	2	0
3	BEL - Belgium	2	1	1	3	ISR - Israel	2	1	1
3	IRL - Ireland	2	1	1	3	JPN - Japan	2	1	1
3	POR - Portugal	2	1	1	5	EST - Estonia	2	0	2
6	NED - Netherlands	2	0	2	5	HUN - Hungary	2	0	2
6	WAL - Wales	2	0	2					
Group C					Group D				
Rank	Team	Games	Wins	Losses	Rank	Team	Games	Wins	Losses
1	NOR - Norway	3	3	0	1	GER - Germany	2	2	0
2	LAT - Latvia	3	2	1	1	KOR - Korea	2	2	0
2	SWE - Sweden	3	2	1	3	DEN - Denmark	2	1	1
4	FRA - France	3	1	2	3	SCO - Scotland	2	1	1
4	ITA - Italy	3	1	2	5	ESP - Spain	2	0	2
6	NGR - Nigeria	3	0	3	5	NZL - New Zealand	2	0	2
Group E									
Rank	Team	Games	Wins	Losses					
1	CZE - Czechia	3	2	1					
1	POL - Poland	3	2	1					
1	SLO - Slovenia	3	2	1					
1	SUI - Switzerland	3	2	1					
5	AUS - Australia	3	1	2					
6	PHI - Philippines	3	0	3					

Note:
Under World Curling rules, tie-breaking rules for standings are not applied until after the last game of the round robin.

Legend:
LSD Last Stone Draw LSFE(*) Last Stone First End X Unplayed/unfinished end due to concession



Session Results and Standings

Sheet	Team	LSD/LSFE	1	2	3	4	5	6	7	8	Extra Ends	Total
F	ISR - Israel	113.7cm *	1	0	1	2	0	2	0	0		6
	JPN - Japan	140.7cm	0	2	0	0	2	0	3	1		8
G	EST - Estonia	220.9cm	0	1	0	0	0	0	X	X		1
	FIN - Finland	96.6cm *	4	0	5	5	3	2	X	X		19
H	ENG - England	279.0cm	0	5	3	0	2	0	5	X		15
	NED - Netherlands	208.9cm *	1	0	0	1	0	1	0	X		3
J	CAN - Canada	220.4cm	3	0	4	3	0	5	X	X		15
	POR - Portugal	115.7cm *	0	1	0	0	1	0	X	X		2
K	GER - Germany	129.3cm	0	0	5	0	0	4	0	X		9
	NZL - New Zealand	72.9cm *	1	1	0	2	0	0	2	X		6
L	WAL - Wales	227.8cm *	0	0	3	0	3	0	1	0		7
	BEL - Belgium	320.3cm	2	2	0	1	0	1	0	2		8

Current Standings

Group A					Group B				
Rank	Team	Games	Wins	Losses	Rank	Team	Games	Wins	Losses
1	CAN - Canada	2	2	0	1	FIN - Finland	2	2	0
1	ENG - England	2	2	0	1	USA - United States	2	2	0
3	BEL - Belgium	2	1	1	3	ISR - Israel	2	1	1
3	IRL - Ireland	2	1	1	3	JPN - Japan	2	1	1
3	POR - Portugal	2	1	1	5	EST - Estonia	2	0	2
6	NED - Netherlands	2	0	2	5	HUN - Hungary	2	0	2
6	WAL - Wales	2	0	2					
Group C					Group D				
Rank	Team	Games	Wins	Losses	Rank	Team	Games	Wins	Losses
1	NOR - Norway	2	2	0	1	GER - Germany	2	2	0
2	FRA - France	2	1	1	1	KOR - Korea	2	2	0
2	ITA - Italy	2	1	1	3	DEN - Denmark	2	1	1
2	LAT - Latvia	2	1	1	3	SCO - Scotland	2	1	1
2	SWE - Sweden	2	1	1	5	ESP - Spain	2	0	2
6	NGR - Nigeria	2	0	2	5	NZL - New Zealand	2	0	2
Group E									
Rank	Team	Games	Wins	Losses					
1	POL - Poland	2	2	0					
2	AUS - Australia	2	1	1					
2	CZE - Czechia	2	1	1					
2	SLO - Slovenia	2	1	1					
2	SUI - Switzerland	2	1	1					
6	PHI - Philippines	2	0	2					

Note:
Under World Curling rules, tie-breaking rules for standings are not applied until after the last game of the round robin.

Legend:
LSD Last Stone Draw **LSFE(*)** Last Stone First End **X** Unplayed/unfinished end due to concession





Session Results and Standings

Sheet	Team	LSD/LSFE	1	2	3	4	5	6	7	8	Extra Ends	Total
F	FIN - Finland	102.9cm	0	2	0	2	0	0	3	X		7
	HUN - Hungary	42.7cm *	1	0	1	0	1	0	0	X		3
G	JPN - Japan	147.3cm	0	2	0	1	0	1	0	X		4
	USA - United States	60.7cm *	5	0	3	0	0	0	4	X		12
H	CAN - Canada	56.1cm *	1	0	2	0	0	0	0	0	3	6
	BEL - Belgium	380.9cm	0	1	0	0	0	1	0	1	0	3
J	FRA - France	240.6cm *	3	0	0	1	0	2	0	1		7
	ITA - Italy	245.8cm	0	3	1	0	3	0	2	0		9
K	NGR - Nigeria	268.6cm	1	0	0	1	0	1	0	X		3
	LAT - Latvia	257.7cm *	0	2	1	0	2	0	3	X		8
L	NED - Netherlands	358.9cm	0	2	0	4	0	0	1	X		7
	IRL - Ireland	92.5cm *	4	0	3	0	1	4	0	X		12

Current Standings

Group A					Group B				
Rank	Team	Games	Wins	Losses	Rank	Team	Games	Wins	Losses
1	CAN - Canada	1	1	0	1	FIN - Finland	1	1	0
1	ENG - England	1	1	0	1	ISR - Israel	1	1	0
1	POR - Portugal	1	1	0	1	USA - United States	1	1	0
4	IRL - Ireland	2	1	1	4	EST - Estonia	1	0	1
5	BEL - Belgium	1	0	1	4	HUN - Hungary	1	0	1
5	NED - Netherlands	1	0	1	4	JPN - Japan	1	0	1
5	WAL - Wales	1	0	1					
Group C					Group D				
Rank	Team	Games	Wins	Losses	Rank	Team	Games	Wins	Losses
1	ITA - Italy	1	1	0	1	DEN - Denmark	1	1	0
1	LAT - Latvia	1	1	0	1	GER - Germany	1	1	0
1	NOR - Norway	1	1	0	1	KOR - Korea	1	1	0
4	FRA - France	1	0	1	4	ESP - Spain	1	0	1
4	NGR - Nigeria	1	0	1	4	NZL - New Zealand	1	0	1
4	SWE - Sweden	1	0	1	4	SCO - Scotland	1	0	1
Group E									
Rank	Team	Games	Wins	Losses					
1	AUS - Australia	1	1	0					
1	CZE - Czechia	1	1	0					
1	POL - Poland	1	1	0					
4	PHI - Philippines	1	0	1					
4	SLO - Slovenia	1	0	1					
4	SUI - Switzerland	1	0	1					

Note:
Under World Curling rules, tie-breaking rules for standings are not applied until after the last game of the round robin.

Legend:
LSD Last Stone Draw **LSFE(*)** Last Stone First End **X** Unplayed/unfinished end due to concession





Session Results and Standings

Sheet	Team	LSD/LSFE	1	2	3	4	5	6	7	8	Extra Ends	Total
F	IRL - Ireland	224.0cm *	4	0	0	1	0	0	0	0		5
	POR - Portugal	270.7cm	0	0	1	0	1	1	1	1		6
G	SWE - Sweden	61.7cm *	1	0	0	0	0	1	1	X		3
	NOR - Norway	258.0cm	0	3	2	1	1	0	0	X		7
J	ENG - England	356.7cm	0	4	3	1	0	0	4	X		12
	WAL - Wales	262.5cm *	2	0	0	0	1	2	0	X		5
K	ISR - Israel	228.7cm *	1	3	2	1	0	4	X	X		11
	EST - Estonia	135.0cm	0	0	0	0	1	0	X	X		1

Current Standings

Group A					Group B				
Rank	Team	Games	Wins	Losses	Rank	Team	Games	Wins	Losses
1	ENG - England	1	1	0	1	ISR - Israel	1	1	0
1	POR - Portugal	1	1	0	2	EST - Estonia	1	0	1
3	IRL - Ireland	1	0	1		FIN - Finland	0		
3	WAL - Wales	1	0	1		HUN - Hungary	0		
	BEL - Belgium	0				JPN - Japan	0		
	CAN - Canada	0				USA - United States	0		
	NED - Netherlands	0							
Group C					Group D				
Rank	Team	Games	Wins	Losses	Rank	Team	Games	Wins	Losses
1	NOR - Norway	1	1	0	1	DEN - Denmark	1	1	0
2	SWE - Sweden	1	0	1	1	GER - Germany	1	1	0
	FRA - France	0			1	KOR - Korea	1	1	0
	ITA - Italy	0			4	ESP - Spain	1	0	1
	LAT - Latvia	0			4	NZL - New Zealand	1	0	1
	NGR - Nigeria	0			4	SCO - Scotland	1	0	1
Group E									
Rank	Team	Games	Wins	Losses					
1	AUS - Australia	1	1	0					
1	CZE - Czechia	1	1	0					
1	POL - Poland	1	1	0					
4	PHI - Philippines	1	0	1					
4	SLO - Slovenia	1	0	1					
4	SUI - Switzerland	1	0	1					

Note:
Under World Curling rules, tie-breaking rules for standings are not applied until after the last game of the round robin.

Legend:
LSD Last Stone Draw **LSFE(*)** Last Stone First End **X** Unplayed/unfinished end due to concession



Session Results and Standings

Sheet	Team	LSD/LSFE	1	2	3	4	5	6	7	8	Extra Ends	Total
F	POL - Poland	255.4cm	0	2	0	2	0	0	1	0	1	6
	SUI - Switzerland	95.6cm *	1	0	1	0	2	0	0	1	0	5
G	AUS - Australia	137.7cm *	1	0	2	2	2	0	0	X		7
	PHI - Philippines	349.0cm	0	1	0	0	0	1	1	X		3
H	SLO - Slovenia	270.1cm	0	0	0	1	0	0	0	X		1
	CZE - Czechia	171.4cm *	4	2	3	0	1	3	3	X		16
J	KOR - Korea	399.2cm	1	0	0	2	0	3	1	X		7
	NZL - New Zealand	99.5cm *	0	1	0	0	1	0	0	X		2
K	ESP - Spain	177.3cm	0	3	0	0	2	0	1	X		6
	DEN - Denmark	84.7cm *	3	0	3	3	0	2	0	X		11
L	GER - Germany	177.0cm	0	1	0	0	2	0	0	2		5
	SCO - Scotland	55.8cm *	1	0	1	0	0	1	0	0		3

Current Standings

Group A					Group B				
Rank	Team	Games	Wins	Losses	Rank	Team	Games	Wins	Losses
	BEL - Belgium					EST - Estonia			
	CAN - Canada					FIN - Finland			
	ENG - England					HUN - Hungary			
	IRL - Ireland					ISR - Israel			
	NED - Netherlands					JPN - Japan			
	POR - Portugal					USA - United States			
	WAL - Wales								
Group C					Group D				
Rank	Team	Games	Wins	Losses	Rank	Team	Games	Wins	Losses
	FRA - France				1	DEN - Denmark	1	1	0
	ITA - Italy				1	GER - Germany	1	1	0
	LAT - Latvia				1	KOR - Korea	1	1	0
	NGR - Nigeria				4	ESP - Spain	1	0	1
	NOR - Norway				4	NZL - New Zealand	1	0	1
	SWE - Sweden				4	SCO - Scotland	1	0	1
Group E									
Rank	Team	Games	Wins	Losses					
1	AUS - Australia	1	1	0					
1	CZE - Czechia	1	1	0					
1	POL - Poland	1	1	0					
4	PHI - Philippines	1	0	1					
4	SLO - Slovenia	1	0	1					
4	SUI - Switzerland	1	0	1					

Note:
Under World Curling rules, tie-breaking rules for standings are not applied until after the last game of the round robin.

Legend:
LSD Last Stone Draw **LSFE(*)** Last Stone First End **X** Unplayed/unfinished end due to concession



Entry List by Event

As of THU 24 APR 2025

AUS - Australia		Group E
4 S	LORRAIN-SMITH Hamish	R
3 V	BOYD James	R
2	DAVIS Geoff	R
1	IMLAH David	R
A	MACDONALD Brian	R
C	-	
O	-	
O	-	

ENG - England		Group A
4 S	HORTON Ken	R
3 V	McGLYNN Douglas	R
2	GREGORY Martin	R
1	BRAND Stuart	R
A	-	
C	McGLYNN Andy	
O	HORTON Liz	
O	GREGORY Lesley	

BEL - Belgium		Group A
4 S	VAN DIJCK Stefan	R
3 V	VERBUEKEN Walter	R
2	PALMANS Bart	R
1	DE SWERT Jan	R
A	-	
C	-	
O	-	
O	-	

ESP - Spain		Group D
4	TORRALBA ANAYA David	R
3 V	CARASA CRUZ Jose	R
2	DE PAZ GUTIEZ Eduardo	R
1 S	GARCIA MAYOR Angel	R
A	SANDONIS BENITO Paco	R
C	MARIN Felipe	
O	-	
O	-	

CAN - Canada		Group A
4 S	BRYDEN Randy	R
3 V	ROBINSON Troy	R
2	BRYDEN Russ	R
1	SEMENCHUCK Chris	R
A	HILL Glen	R
C	-	
O	-	
O	-	

EST - Estonia		Group B
4 S	TUBALKAIN Margus	R
3 V	VOOREMAA Valvo	R
2	TURMANN Tonis	R
1	REINOLA Hannes	R
A	-	
C	-	
O	HINN Sirli	
O	-	

CZE - Czechia		Group E
4 S	SIK David	L
3 V	BROZEK Marek	R
2	MENSIK Pavel	R
1	CHOBOT Jiri	R
A	-	
C	-	
O	-	
O	-	

FIN - Finland		Group B
4 S	RANTAMAKI Tomi	R
3 V	POLLANEN Jermu	R
2	SALO Teemu	L
1	LEHMUSKOSKI Ville	R
A	-	
C	-	
O	-	
O	-	

DEN - Denmark		Group D
4 S	TIDMAND Soeren	R
3	LORENTZEN Jens Groth	R
2	MUELLER Lars	R
1 V	LEGAARD Bo	R
A	-	
C	-	
O	-	
O	-	

FRA - France		Group C
4 S	ADAM Pascal	R
3	CHAUVEAU Mathieu	R
2 V	WALTER Christophe	R
1	THERIAS Philippe	R
A	-	
C	LOBE THERIAS Cheryl (CAN)	
O	-	
O	-	



Entry List by Event

As of THU 24 APR 2025

GER - Germany		Group D
4 S	KAPP Andy	R
3 V	AXNICK Oliver	R
2	HOEHNE Holger	R
1	KEMPF Andreas	R
A	MESSENZEHL Markus	R
C	WENDORF Keith (CAN)	
O	-	
O	-	

JPN - Japan		Group B
4	NAKAMURA Yoshito	R
3 V	SEGAWA Hidenobu	R
2	SUGAWARA Hirota	R
1 S	FUNAKI Kazuhito	R
A	DEN Naofumi	R
C	TOMABECHI Michiko	
O	-	
O	-	

HUN - Hungary		Group B
4 S	NAGY Gyorgy	L
3	JAKAB Zoltan	R
2 V	BARTALUS Gabor	R
1	BARNA Krisztian	L
A	-	
C	ELL Darrell (CAN)	
O	-	
O	-	

KOR - Korea		Group D
4 S	JUNG Jaesuk	R
3 V	JUNG Hyoheon	L
2	LEE Ilkyu	R
1	SEO Jungwoo	L
A	SON Jinsuk	R
C	CHUNG Wonsuk	
O	-	
O	-	

IRL - Ireland		Group A
4 S	GRAY Bill	R
3 V	WHYTE David	R
2	FYFE Neil	R
1	CAMPBELL Tommy	R
A	-	
C	-	
O	-	
O	-	

LAT - Latvia		Group C
4 S	REGZA Ansis	R
3 V	REDLIHS Janis	L
2	LINUZS Edgars	R
1	LACIS Aivars	R
A	-	
C	-	
O	-	
O	-	

ISR - Israel		Group B
4 S	GOLBERG Kevin	L
3 V	POKRAS Alex	R
2	HOROWITZ Aaron	R
1	KEMPENICH Henrique	R
A	-	
C	GARGUL Neil (CAN)	
O	-	
O	-	

NED - Netherlands		Group A
4 S	BOMAS Bob	R
3 V	MURRAY George	R
2	VAN WIERINGEN Willem	R
1	KOORNSTRA Johannes	R
A	DE JONG Andre	R
C	KOORNSTRA-VAN ENS Sippie	
O	-	
O	-	

ITA - Italy		Group C
4 S	MENARDI Antonio	R
3 V	BOMBASSEI Valter	R
2	CONSTANTINI Marco	R
1	REGIS Adriano	R
A	-	
C	-	
O	-	
O	-	

NGR - Nigeria		Group C
4 S	COLE T. J.	L
3 V	JOHNSON Chad	R
2	NEIMETH Charles	R
1	BRIANNE Robert	R
A	DANIEL Damola	R
C	ROBICHAUD Ellery (CAN)	
O	-	
O	-	



Entry List by Event

As of THU 24 APR 2025

NOR - Norway		Group C
4 S	UGLAND Even	R
3 V	SAGEN Rolf	R
2	SANDAAKER Karsten	R
1	KARTERUD Jon Sverre	R
A	RICHARDSEN Paul	R
C	HOILAND Tom	
O	-	
O	-	

SCO - Scotland		Group D
4 S	BREWSTER Tom	R
3 V	HARE Frazer	R
2	STEVENSON Robbie	R
1	FRAME Don	L
A	-	
C	-	
O	-	
O	-	

NZL - New Zealand		Group D
4 S	WATT Dave	R
3 V	CRAIG Iain	R
2	DEPAPE Lorne	R
1	FOTTI Dean	R
A	TELFER Tom	R
C	-	
O	-	
O	-	

SLO - Slovenia		Group E
4 S	KAJIN John	R
3 V	KOLENKO John	R
2	KROSEL Tony	R
1	KONCAN Val	R
A	ULCAR Stan	R
C	KUMER John	
O	GRDADOLNIK Boris (CAN)	
O	MUHIC John (CAN)	

PHI - Philippines		Group E
4 S	OCHOCO Jonathan	R
3 V	GARBES Peter	R
2	ONGLINGSWAN Alastair	R
1	GARBES Jason	R
A	-	
C	MACLAUGHLIN GARBES Heather	
O	GAVIN Martin (CAN)	
O	-	

SUI - Switzerland		Group E
4 S	WUEEST Dieter	L
3 V	PIESBERGEN Jens	R
2	ERB Ernst	R
1	LUETHI Daniel	R
A	SYFRIG Marc	R
C	ZUERRER Martin	
O	-	
O	-	

POL - Poland		Group E
4 S	HERMAN Damian	R
3	KLOS Pawel	R
2	PIOTROWICZ Pawel	R
1 V	NOWAK Krzysztof	R
A	TOMICA Janusz	R
C	-	
O	-	
O	-	

SWE - Sweden		Group C
4 S	ERIKSSON Dan-Ola	R
3	HALLSTROEM Fredrik	R
2	OLIN Tommy	R
1 V	HALLSTROEM Rickard	R
A	CARLSEN Per	R
C	BERGGREN Niklas	
O	-	
O	-	

POR - Portugal		Group A
4 S	SANTOS Vitor	R
3 V	CHAVES Allan	R
2	RIBAU Jose	R
1	PACHECO Joao	R
A	SMITH Neil	R
C	-	
O	-	
O	-	

USA - United States		Group B
4 S	FARBELOW Mike	R
3	RUOHONEN Rich	R
2 V	STOPERA Bill	R
1	LEHTO Darren	R
A	-	
C	ANNIS Pete	
O	-	
O	-	



Entry List by Event

As of THU 24 APR 2025

WAL - Wales		Group A
4 S	TANNER Andrew	R
3 V	POUGHER Richard	R
2	REID Alistair	R
1	FYFFE George	R
A	-	
C	-	
O	-	
O	-	

Note:

Position and function for each team member:

4 = Fourth, **3** = Third, **2** = Second, **1** = Lead, **A** = Alternate, **S** = Skip, **V** = Vice-Skip

C = Coach, **2C** = 2nd Team Coach, **NC** = National Coach, **T** = Translator, **O** = Team Official

Legend:

L Left-handed

R Right-handed



Competition Officials

As of SUN 27 APR 2025

Function	Name	Organisation
World Curling President:	WELLING Beau	USA - United States
World Curling Head of Competitions:	ROETHLISBERGER Eeva	SUI - Switzerland
World Curling Head of Development:	ARNOLD Scott	CAN - Canada
World Curling Technical Delegate:	GORDON Rob	CAN - Canada
Chief Umpire:	McCANN Jerry	CAN - Canada
Deputy Chief Umpire:	SEPHTON Tom	CAN - Canada
Timing Supervisors:	HAWKES Paul REID Les	CAN - Canada CAN - Canada
Chief Ice Technician:	MASON Joe	CAN - Canada
Deputy Chief Ice Technician:	BENSON Eldie	CAN - Canada

